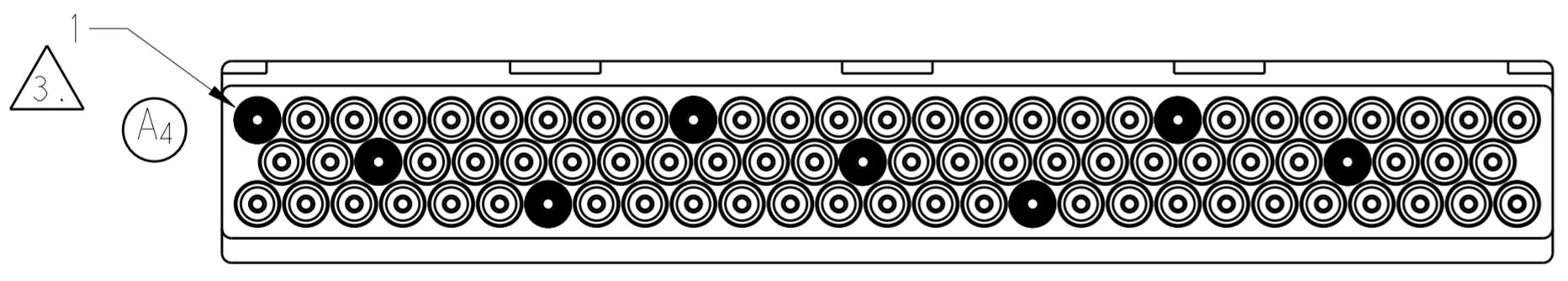
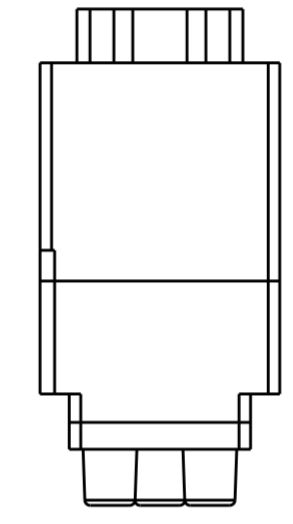
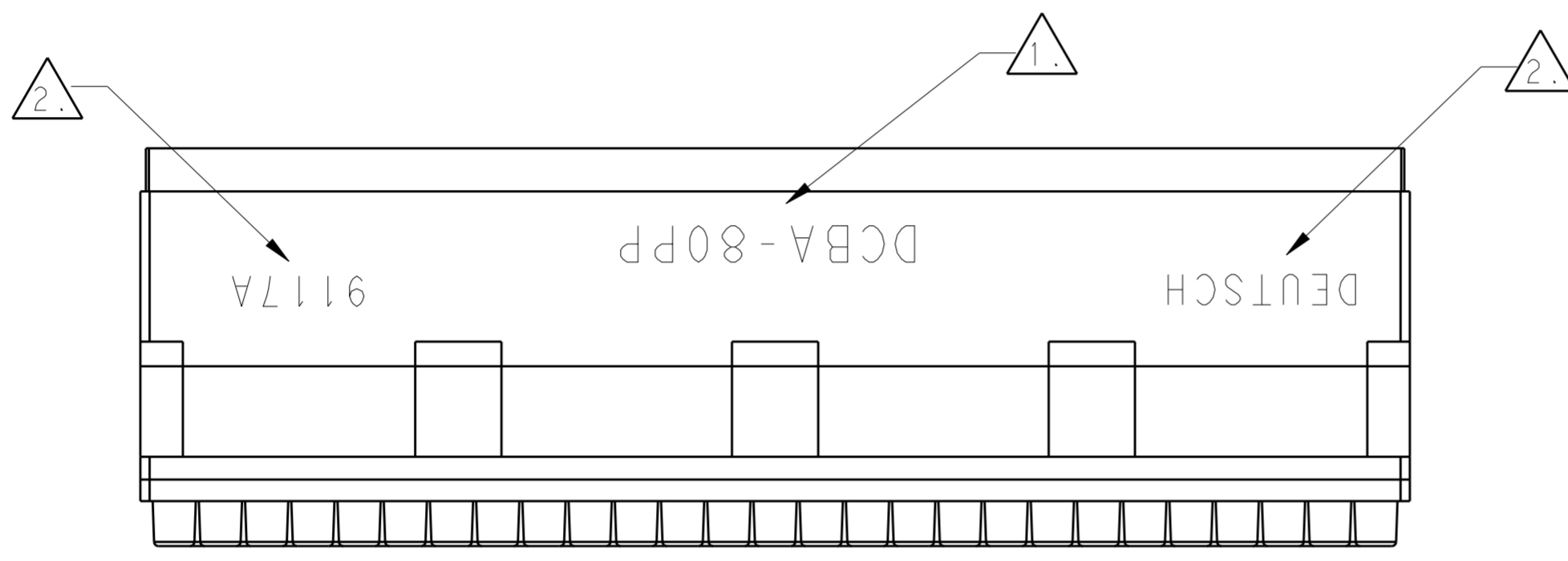
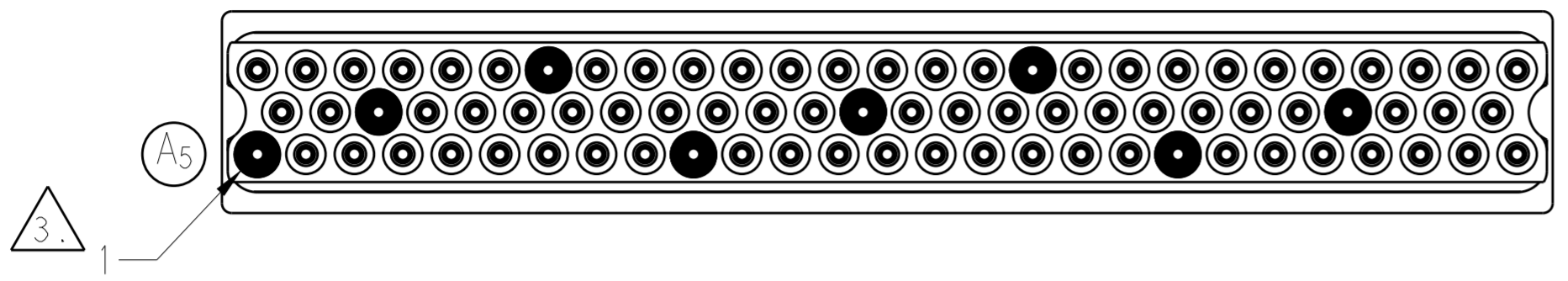


THIS DRAWING IS UNPUBLISHED. RELEASED FOR PUBLICATION 20  
 © COPYRIGHT 20 BY - ALL RIGHTS RESERVED.

PROPERTY OF TE CONNECTIVITY  
 THIS INFORMATION IS CONFIDENTIAL AND PROPRIETARY TO TYCO ELECTRONICS CORPORATION  
 AND ITS WORLDWIDE SUBSIDIARIES AND AFFILIATES (TE). IT MAY NOT BE DISCLOSED TO  
 ANYONE, OTHER THAN TE PERSONNEL, WITHOUT AUTHORIZATION FROM TE (www.TE.com).

LOC		DIST		REVISIONS			
P	LTR	DESCRIPTION	DATE	DWN	APVD		
N/C		NEW RELEASE PER EO A11967	911101	TH	JP		
A		REVISED PER ECO-15-004066	150313	SS	MA		



3. MARK CAVITY IDENTIFICATION AS INDICATED ON CAVITIES 1, 10, 20, 30, 40, 50, 60 AND 70 PER DPS 1-141-21 COLOR WHITE. (A3)

2. MARK DEUTSCH AND DATE CODE ON SURFACE INDICATED PER DPS 1-141-18, CLASS II, TYPE III (WHITE). (A2)

1. MARK PART IDENTIFICATION AS SHOWN PER DPS 1-141-18. CLASS II (WHITE), TYPE III, CHARACTERS TO BE CENTERED AS SHOWN. (A1)

NOTES: UNLESS OTHERWISE SPECIFIED.

THIS DRAWING IS A CONTROLLED DOCUMENT.		DWN T. HOLT 910522	<b>STE</b> TE Connectivity	
DIMENSIONS: INCHES		CHK J. POWELL 911101		
TOLERANCES UNLESS OTHERWISE SPECIFIED:		APVD J. POWELL 911101	NAME MODULE, PIN ABC CONNECTOR 80 SIZE 22 CAVITIES DCBA POSITION PLUG MARKING DWG	
0 PLC ±-		PRODUCT SPEC -	SIZE A2	CAGE CODE -
1 PLC ±.1		APPLICATION SPEC -	DRAWING NO. C-DCBA-80PP	RESTRICTED TO -
2 PLC ±.01		WEIGHT -	SCALE NONE	SHEET 1 OF 1
3 PLC ±.005		Customer Drawing	REV A	
4 PLC ±.0005				
ANGLES ±.5°				
FINISH -				