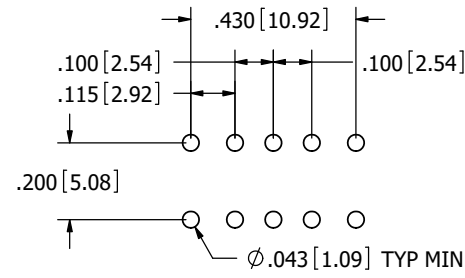
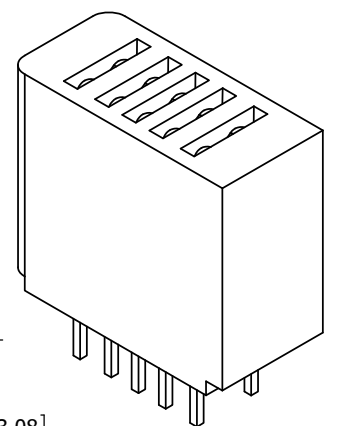
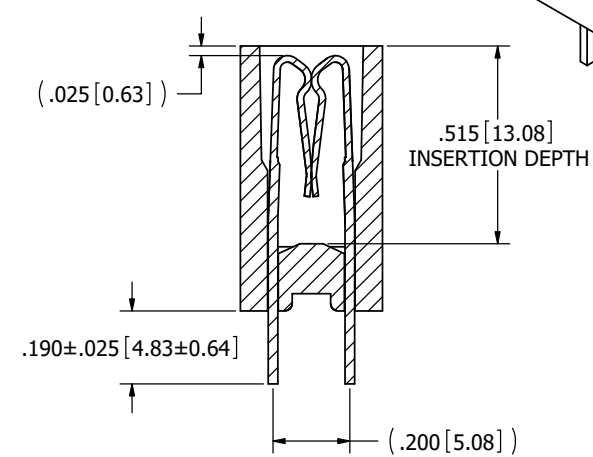
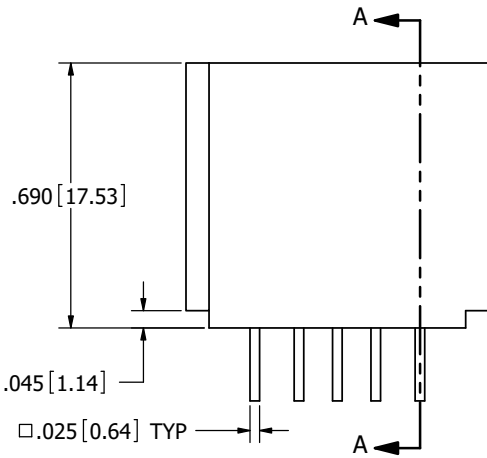
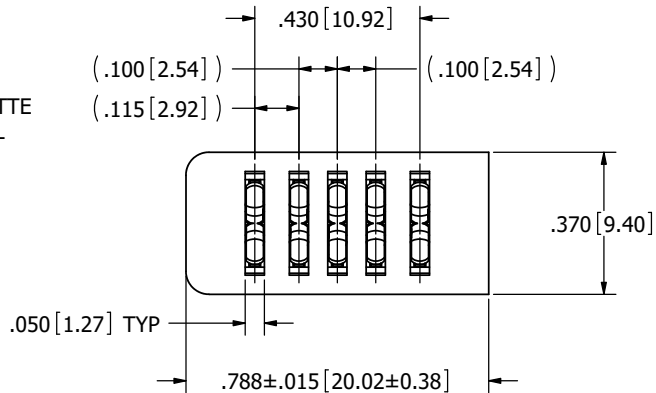


PART NUMBER CODING
T_C05DCSN-S1403

PLATING:

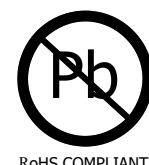
.000050" MIN NICKEL UNDERPLATE	TERMINATION
CONTACT SURFACE	.000100" PURE TIN, MATTE
C = .000030" GOLD	.000010" GOLD OVERALL
M = .000030" GOLD	



NOTES:

- INSULATOR MATERIAL: BROWN PPS
- CONTACT MATERIAL: BERYLLIUM COPPER
- PLATING: .000050" MIN NICKEL UNDERPLATE
CONTACT SURFACE: .000030" GOLD
TERMINATION: .000100" PURE TIN, MATTE
- OPERATING TEMPERATURE:
-65°C TO +175°C FOR 'C' PLATING
-65°C TO +200°C FOR 'M' PLATING
- PROCESSING TEMP: 260°C FOR 20 SECONDS MAX
- UL FLAMMABILITY RATING: 94V-0
- OPERATING VOLTAGE: 700 VAC MINIMUM AT SEA LEVEL
- CURRENT RATING: 10 AMPS PER CONTACT PAIR
- CONTACT RESISTANCE: 30 MILLI OHMS MAX
- INSULATION RESISTANCE: 5000 MEGA OHMS
- DURABILITY: 500 CYCLES MIN
- CONNECTOR IDENTIFICATION: THE PART SHALL BE MARKED WITH A PART NUMBER AND LOT CODE
- MODIFICATION: BROWN PPS, .370" BODY WIDTH, NO CARDSLOT LENGTH, NO CONTACT ID, .690 HEIGHT, ROUND & SQ EAR, MOLDED KEYS BETWEEN ALL POS., CONTACT CENTER .115/.100, SHORTING CONTACT FOR ALL POSITIONS

PCB LAYOUT RECOMMENDED



RoHS COMPLIANT

REVISIONS				
REV.	ECO. NO	DESCRIPTION	DATE	BY
A	2060	RELEASE	10/14/2009	TT
B	2779	UPDATED NOTES, TITLE & DWG FORMAT	5/28/2013	KV
C	4368	ADD 'M' PLATING OPTION, UPDATE NOTE 8 (WAS 3A)	12/6/2021	JH

CUSTOMER COPY

UNLESS OTHERWISE SPECIFIED: DIMENSIONS ARE IN INCHES (MM)		DRAWN	DATE	NAME	
TOLERANCES: ANGULAR: ± 1° DECIMALS .XX = ± .02 [5] .XXX = ± .005 [13] .XXXX = ± .0005 [013]			10/14/09	TT	
<small>THE INFORMATION HEREIN CONTAINS PROPRIETARY INFORMATION OF SULLINS ELECTRONICS AND IS NOT TO BE REPRODUCED, USED OR DISCLOSED TO OTHERS FOR ANY PURPOSE EXCEPT AS SPECIFICALLY AUTHORIZED IN WRITING BY AN OFFICER OF SULLINS ELECTRONICS.</small>					TITLE TO-220 & TO-247 SOCKET PART NUMBER T_C05DCSN-S1403
SIZE	CAGE CODE	DWG. NO.	REV		
C	54453	C11409	C		
SCALE: 4:1			SHEET 1 OF 1		