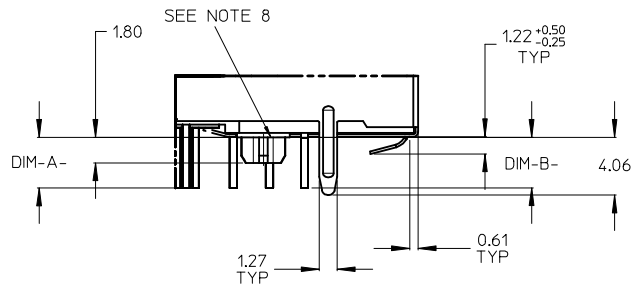
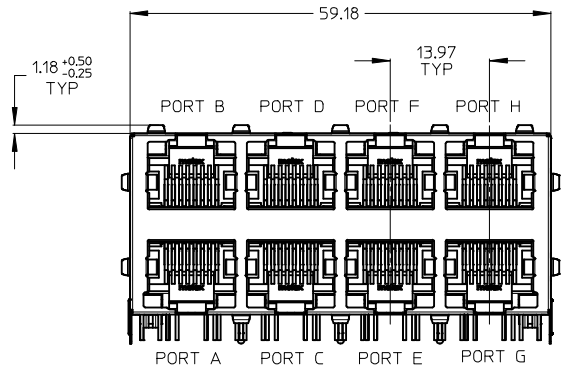
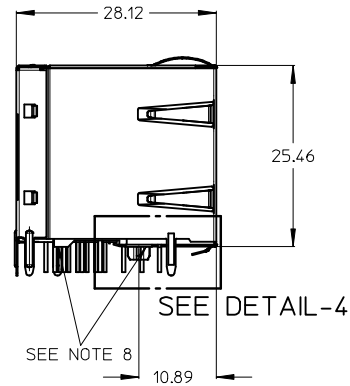
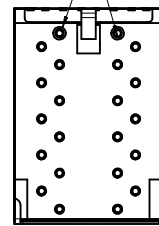


GIGABIT MAGNETIC JACK 2x4 LED

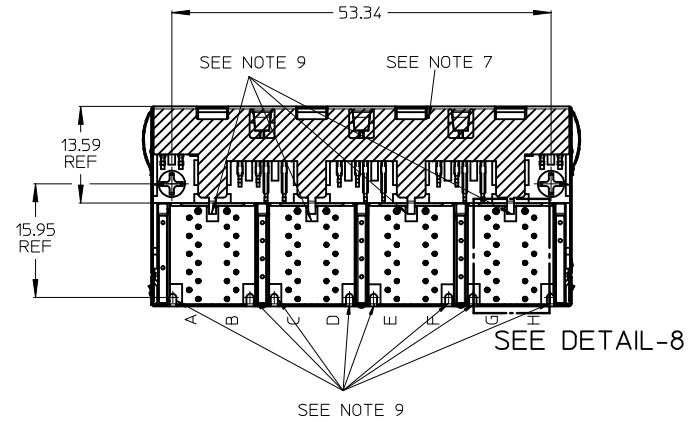


DETAIL-4
SCALE 4:1

SEE NOTE 9



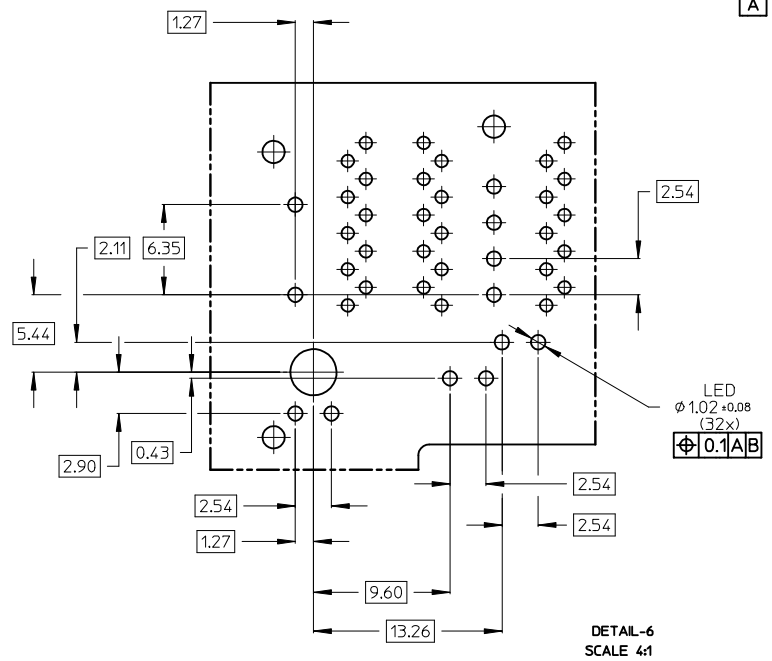
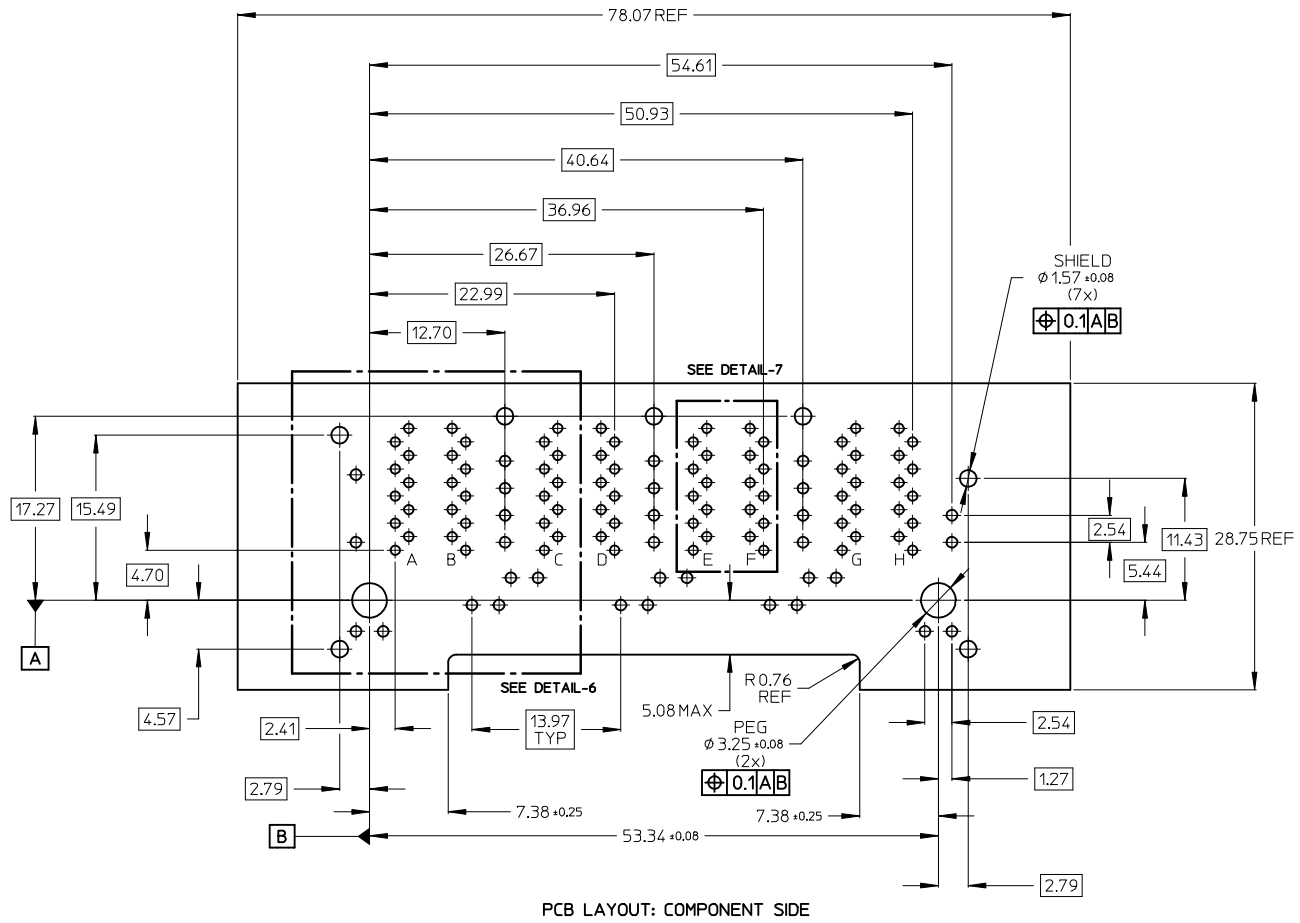
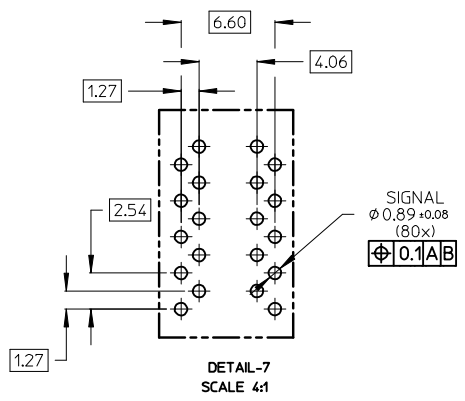
DETAIL-8
SCALE 4:1



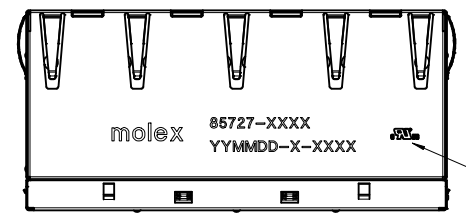
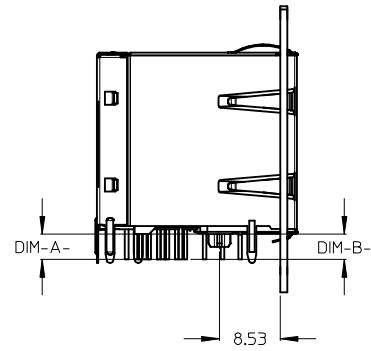
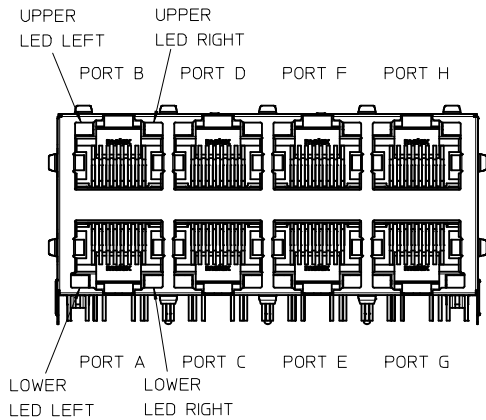
NOTES:

- 1 - SHIELD MATERIAL: BRASS, PLATING: NICKEL PRE-PLATING
- 2 - PLASTIC MATERIAL: POLYESTER (PBT)BLACK, 30%GR, UL 94V-0
- 3 - RJ45 TERMINALS MATERIAL: COPPER ALLOY
CONTACT AREA PLATING: 0.76 MICROMETER GOLD OVER 1.9 MICROMETER NICKEL
PHY TERMINALS: TIN PLATED
- 4 - MATING INTERFACE ACCORDING TO IEC 60603-7
- 5 - PRODUCT SPECIFICATION: PS-85728-001
- 6 - PACKAGING SPECIFICATION: PK-85727-001
- 7 - TRACES WITHOUT INSULATION NOT ALLOWED IN THE DASHED AREAS.
(TO AVOID SHORTS TO SHIELD)
- 8 - STAND OFF TO SYSTEM BOARD
- 9 - STUBBED PINS AND SHIELD LATCHES AVOID TO ROUTE TRACES OR TO PLACE ANY
VIAS OR PADS BELOW THESE PINS
- 10 - FOR MAGNETIC AND LED INFORMATION SEE SPEC PS-85728-001

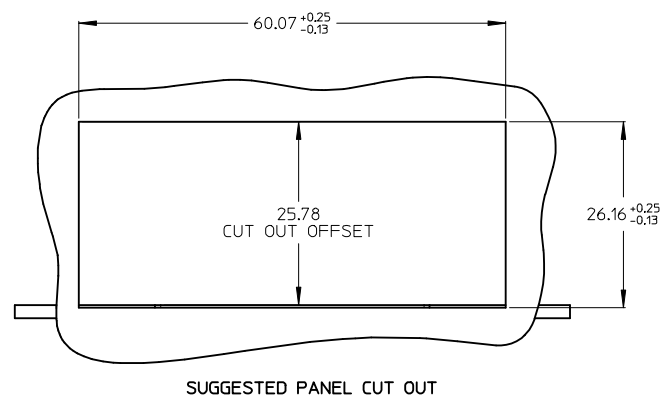
NO CHANGE IEC NO: 2015/10/02 DRWN: JBADER 2015/10/02 CHKD: MMANGARUDOV 2015/10/02 APPR: SSTE INKE 2015/11/16	DESCRIPTION GIGABIT MAGNETIC JACK 2X4 LED	QUALITY SYMBOLS		GENERAL TOLERANCES (UNLESS SPECIFIED)		DIMENSION STYLE		SCALE	DESIGN UNITS	THIRD ANGLE PROJECTION	
		▼=0 ▽=0		mm INCH		MM ONLY		2:1	METRIC		
		4 PLACES ± --- ± ---		DRAWN BY: MMANGARUDOV		DATE: 2010/05/07		TITLE: GIGABIT MAGNETIC JACK 2X4 LED			
		3 PLACES ± --- ± ---		CHECKED BY: JBADER		DATE: 2010/05/10		MOLEX INCORPORATED DOCUMENT NO: SD-85727-001 SHEET NO: 1 OF 4			
2 PLACES ± 0.25 ± ---		APPROVED BY: SSTE INKE		DATE: 2012/04/24							
1 PLACE ± 0.5 ± ---		MATERIAL NO: SEE SHEET 3		ANGULAR ± .5 °		THIS DRAWING CONTAINS INFORMATION THAT IS PROPRIETARY TO MOLEX INCORPORATED AND SHOULD NOT BE USED WITHOUT WRITTEN PERMISSION					
DRAFT WHERE APPLICABLE MUST REMAIN WITHIN DIMENSIONS		SIZE: A2									



REF DIM ADDED	EC NO:	2015/10/02	QUALITY SYMBOLS		GENERAL TOLERANCES (UNLESS SPECIFIED)		DIMENSION STYLE		SCALE	DESIGN UNITS	THIRD ANGLE PROJECTION
	DRWN:	JBADER	▽=0	mm	INCH	DRAWN BY	DATE	TITLE	3:1	METRIC	⊕ □
	CHKD:	MMANGARUDOV	▽=0	4 PLACES ± ---	± ---	MMANGARUDOV	2010/05/07	GIGABIT MAGNETIC JACK 2X4 LED			
	APPR:	SSTE INKE		3 PLACES ± ---	± ---	CHECKED BY	DATE				
				2 PLACES ± 0.25	± ---	JBADER	2010/05/10				
				1 PLACE ± 0.5	± ---	APPROVED BY	DATE				
				ANGULAR ± .5 °		SSTE INKE	2012/04/24				
				DRAFT WHERE APPLICABLE MUST REMAIN WITHIN DIMENSIONS		MATERIAL NO.					
						SEE SHEET 3					
						THIS DRAWING CONTAINS INFORMATION THAT IS PROPRIETARY TO MOLEX INCORPORATED AND SHOULD NOT BE USED WITHOUT WRITTEN PERMISSION					
						MOLEX INCORPORATED					
						DOCUMENT NO.					
						SD-85727-001					
						SHEET NO.					
						2 OF 4					



SEE NOTE 3



PART NUMBER	UPPER & LOWER LED LEFT		UPPER & LOWER LED RIGHT		DIMENSION -A- FOR SIGNAL PIN LENGTH	DIMENSION -B- FOR LED PIN LENGTH
	COLOUR 1	GREEN	COLOUR 1	GREEN		
85727-1001	COLOUR 1	GREEN	COLOUR 1	GREEN	3,56mm	3,56mm
85727-1002	COLOUR 1	GREEN	COLOUR 1	GREEN	3,56mm	3,56mm
	COLOUR 2	ORANGE				
85727-1003	COLOUR 1	GREEN	COLOUR 1	YELLOW	3,56mm	3,56mm
85727-1004	COLOUR 1	GREEN	COLOUR 1	GREEN	3,56mm	3,56mm
	COLOUR 2	ORANGE	COLOUR 2	ORANGE		
85727-1006	COLOUR 1	GREEN	COLOUR 1	ORANGE	3,56mm	3,56mm
85727-1008	COLOUR 1	GREEN	COLOUR 1	GREEN	3,56mm	3,56mm
	COLOUR 2	YELLOW	COLOUR 2	YELLOW		
85727-1012	COLOUR 1	YELLOW	COLOUR 1	YELLOW	3,56mm	3,56mm
	COLOUR 2	GREEN	COLOUR 2	GREEN		
85727-1013	COLOUR 1	YELLOW	COLOUR 1	GREEN	3,56mm	3,56mm
	COLOUR 2	GREEN				
85727-1014	COLOUR 1	YELLOW	COLOUR 1	GREEN	3,56mm	3,56mm
85727-1016	COLOUR 1	GREEN	COLOUR 1	GREEN	3,56mm	3,56mm
			COLOUR 2	YELLOW		

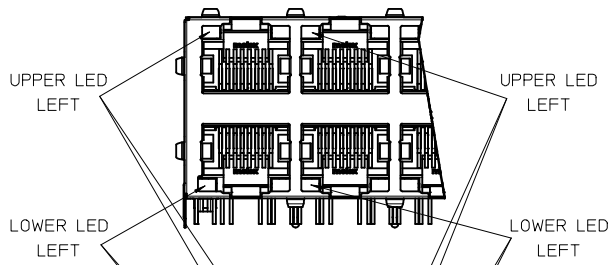
85727-3001	COLOUR 1	GREEN	COLOUR 1	GREEN	2,2mm	3,56mm
------------	----------	-------	----------	-------	-------	--------

85727-4001	COLOUR 1	GREEN	COLOUR 1	GREEN	2,5mm	3,56mm
------------	----------	-------	----------	-------	-------	--------

ADDITIONAL LED COLOURS AND CONFIGURATIONS AVAILABLE ON REQUEST

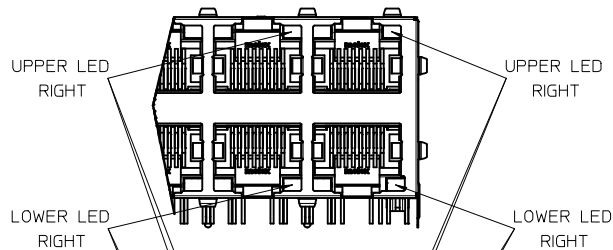
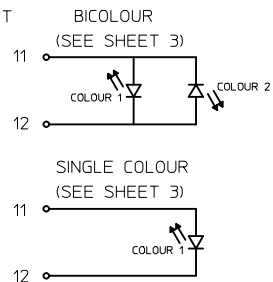
- NOTED:
 1 - PRINTING MARKED BY LASER
 2 - INSCRIPTION:
 1st LINE: PART NUMBER
 2nd LINE: DATE CODE (YEAR.MONTH.DAY) - MANUFACTURER ID - COSECUTIVE NUMBER
 3 - UL LOGO

NEW P/N ADDED EC NO: 2015/10/02 DRWN: JBADER CHKD: MMANGARUDOV 2015/10/02 APPR: SSTE INKE 2015/11/16	QUALITY SYMBOLS ▽=0 ▽=0	GENERAL TOLERANCES (UNLESS SPECIFIED)		DIMENSION STYLE MM ONLY		SCALE 2:1	DESIGN UNITS METRIC	THIRD ANGLE PROJECTION		
			mm	INCH	DRAWN BY MMANGARUDOV	DATE 2010/05/07	TITLE GIGABIT MAGNETIC JACK 2X4 LED			
		4 PLACES ± ---	± ---	± ---	CHECKED BY JBADER	DATE 2010/05/10	MOLEX MOLEX INCORPORATED			
		3 PLACES ± ---	± ---	± ---	APPROVED BY SSTE INKE	DATE 2012/04/24	MATERIAL NO.		DOCUMENT NO.	SHEET NO. 3 OF 4
			2 PLACES ± 0.25	± ---	± ---	SD-85727-001				
			1 PLACE ± 0.5	± ---	± ---	THIS DRAWING CONTAINS INFORMATION THAT IS PROPRIETARY TO MOLEX INCORPORATED AND SHOULD NOT BE USED WITHOUT WRITTEN PERMISSION				
			ANGULAR ± .5 °							
			DRAFT WHERE APPLICABLE MUST REMAIN WITHIN DIMENSIONS							



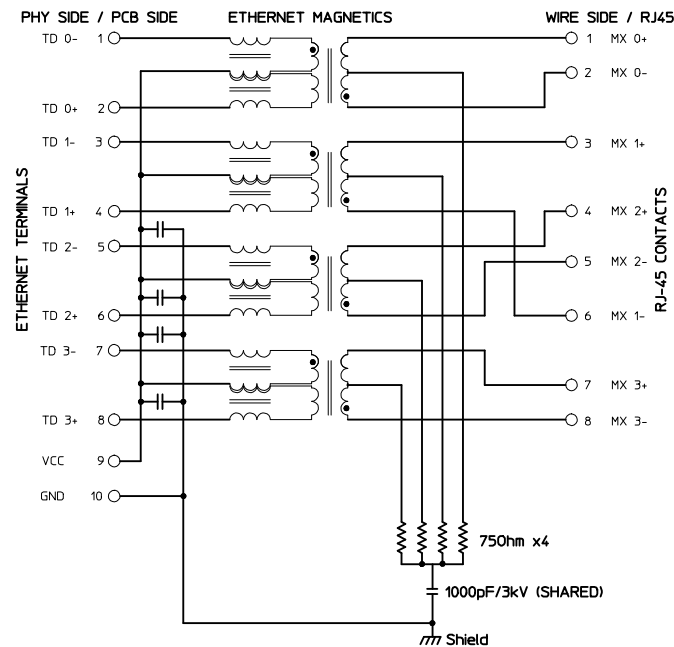
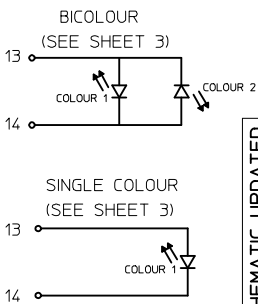
UPPER & LOWER LEFT LED		
PIN POSITION	COLOUR 1	COLOUR 2
11	+	-
12	-	+

COMPONENT VIEW



UPPER & LOWER RIGHT LED		
PIN POSITION	COLOUR 1	COLOUR 2
13	+	+
14	-	-

COMPONENT VIEW



PIN	ETHERNET MAGNETICS
1	TD 0-
2	TD 0+
3	TD 1-
4	TD 1+
5	TD 2-
6	TD 2+
7	TD 3-
8	TD 3+
9	Vcc
10	GND

SCHEMATIC UPDATED EC NO: 2015/10/02 DRWN: JBADER CHKD: MMANGARUDOV APPR: SSTEINKE DATE: 2015/10/02 DATE: 2015/11/16	QUALITY SYMBOLS 	GENERAL TOLERANCES (UNLESS SPECIFIED) <table border="1"> <tr> <th></th> <th>mm</th> <th>INCH</th> </tr> <tr> <td>4 PLACES</td> <td>± 0.25</td> <td>± 0.010</td> </tr> <tr> <td>3 PLACES</td> <td>± 0.20</td> <td>± 0.008</td> </tr> <tr> <td>2 PLACES</td> <td>± 0.25</td> <td>± 0.010</td> </tr> <tr> <td>1 PLACE</td> <td>± 0.5</td> <td>± 0.020</td> </tr> <tr> <td colspan="3">ANGULAR ± .5 °</td> </tr> </table>		mm	INCH	4 PLACES	± 0.25	± 0.010	3 PLACES	± 0.20	± 0.008	2 PLACES	± 0.25	± 0.010	1 PLACE	± 0.5	± 0.020	ANGULAR ± .5 °			DIMENSION STYLE MM ONLY	SCALE 2:1	DESIGN UNITS METRIC	THIRD ANGLE PROJECTION
				mm	INCH																			
4 PLACES	± 0.25	± 0.010																						
3 PLACES	± 0.20	± 0.008																						
2 PLACES	± 0.25	± 0.010																						
1 PLACE	± 0.5	± 0.020																						
ANGULAR ± .5 °																								
DRAWN BY: MMANGARUDOV DATE: 2010/05/07 CHECKED BY: JBADER DATE: 2010/05/10 APPROVED BY: SSTEINKE DATE: 2012/04/24	TITLE GIGABIT MAGNETIC JACK 2X4 LED		MOLEX INCORPORATED		MATERIAL NO. SEE SHEET 3	DOCUMENT NO. SD-85727-001																		
DRAFT WHERE APPLICABLE MUST REMAIN WITHIN DIMENSIONS		SIZE A2		THIS DRAWING CONTAINS INFORMATION THAT IS PROPRIETARY TO MOLEX INCORPORATED AND SHOULD NOT BE USED WITHOUT WRITTEN PERMISSION																				