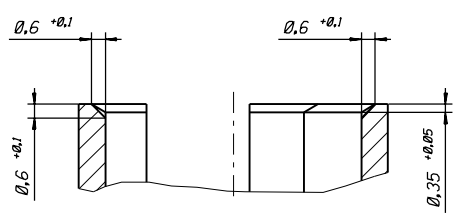
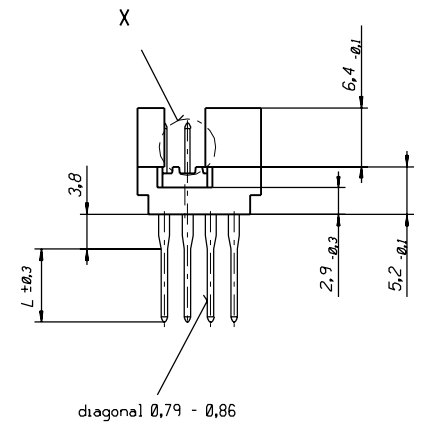
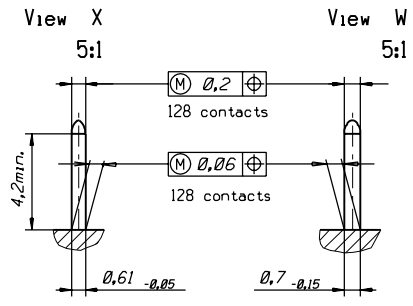
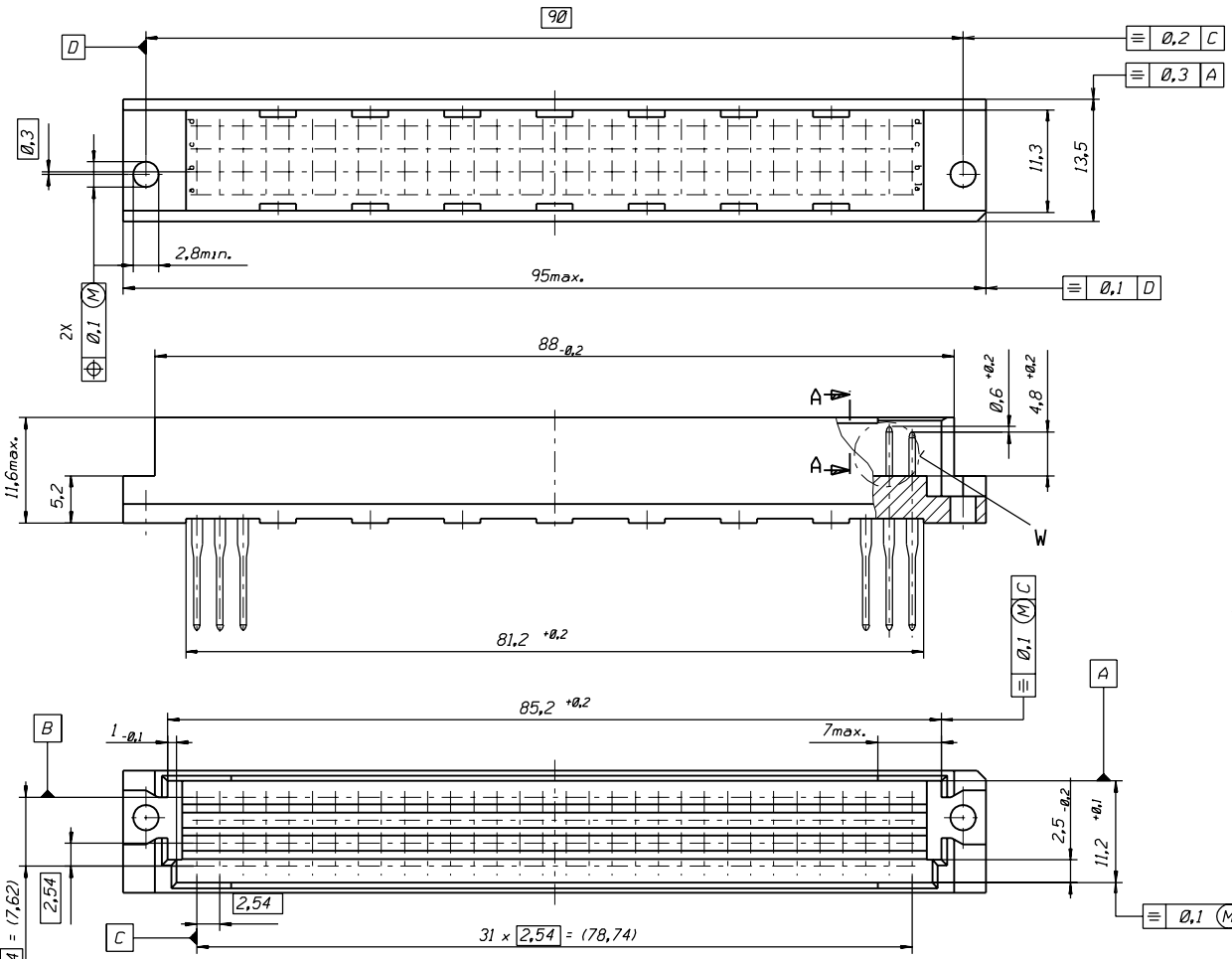


PART NO.
DWG. NO.



Section A - A
5:1

FIRST ANGLE PROJECTION

REVISE ONLY ON CAD SYSTEM

first release	ECN No. MG1998-2190
LTR	FOR PREVIOUS REVISIONS SEE MRI LIST

UNLESS OTHERWISE SPECIFIED TOLERANCES: ANGULAR ± 2°	DRWG BY	SIGN
INCH	Ca	
METRIC	CHK'D BY	SIGN
3 PLACE ± . ±	KN	
2 PLACE ± . ±	APP'D BY	SIGN
1 PLACE ± . ±	FB	
DRAFT WHERE APPLICABLE MUST REMAIN WITHIN DIMENSIONS	SCALE	
DESIGN DIMENSION <input checked="" type="checkbox"/> MM	2:1	
<input type="checkbox"/> IN.		
EQUIVALENT DIMENSION <input type="checkbox"/> MM		
<input type="checkbox"/> IN.		
IF TWO DIMENSIONS ARE SHOWN THE UPPER IS THE DESIGN DIMENSION, LOWER IS SECONDARY		

DRWG BY	SIGN
Ca	
CHK'D BY	SIGN
KN	
APP'D BY	SIGN
FB	
SCALE	
2:1	

CAD/CAM PROJECT NAME	SH.	REV.
85015000 611		
THIS DRAWING CONTAINS INFORMATION THAT IS PROPRIETARY TO MOLEX INC. & SHOULD NOT BE USED WITHOUT WRITTEN PERMISSION		
TITLE		
128 pos. Male connector DIN 41612 style R (C-Pin) Dimensions		
MOLEX MOLEX EUROPE		SHEET NO. DATE
1 OF		98/04/27
PART NO.	DWG NO.	SIZE
SDA-85015-0001		B

