



ATP AW12M7218BLK0MW 4GB DDR3-1600 Wide Temperature UNBUFFERED ECC SODIMM

DESCRIPTION

The ATP AW12M7218BLK0MW is a high performance 4GB DDR3-1600 Industrial Grade Unbuffered ECC SODIMM SDRAM memory module. It is organized as 512M x 72 in a 204-pin Small Outline Dual-In-Line Memory Module (SODIMM) package. The module utilizes nine 512Mx8 DDR3 SDRAMs in FBGA package. The module consists of a 256-byte serial EEPROM, which contains the module configuration information.

KEY FEATURES

- Operation Temperature(TA): -40°C ~ +85°C
- High Density: 4GB (512M x 72)
- DIMM Rank: 1 Rank
- Cycle Time: 1.25ns (800MHz)
- CAS Latency: 11
- Power supply: 1.5V ± 0.075V
- Internal self calibration through ZQ
- Burst lengths: 8
- Auto & Self refresh
- Asynchronous Reset
- 7.8 μs refresh interval at lower than T_{CASE} 85°C, 3.9μs refresh interval at 85°C < T_{CASE} < 95 °C
- Dynamic On Die Termination
- Fly-by topology
- PCB Height: 1.18 inches
- RoHS compliant

Part No.	Max Freq	Interface
AW12M7218BLK0MW	800MHz (1.25ns@CL=11) x2	SSTL_15

PIN DESCRIPTION

Pin Name	Description	Pin Name	Description
A0~A9, A11~A15	Address Inputs	ODT0	On die termination
A10/AP	Address Input/Auto precharge	RAS	Row Address Strobe
BA0~BA2	SDRAM Bank Address	CS0	Chip Selects
CAS	Column Address Strobe	SA0~SA1	SPD address
CK0~CK1	Clock Inputs, positive line	SCL	Serial Presence Detect (SPD) Clock Input
CK0~CK1	Clock Inputs, negative line	SDA	SPD Data Input/Output
CKE0	Clock Enables	VDD	Core Power
DM0~DM8	Data Masks	VDDSPD	SPD Power
DQ0~DQ63	Data Input/Output	VSS	Ground
DQS0~DQS8	Data strobes	RESET	This signal resets the DDR3 SDRAM
DQS0~DQS8	Data strobes, negative line	WE	Write Enable
VREFDQ VREFCA	Input/Output Reference	Event	Temperature sensor Event output
A12/BC	Address Input/Burst chop	NC	No Connect
VTT	Termination voltage	TEST	Logic Analyzer specific test pin (No connect on SO-DIMM)
CB0~CB7	DIMM ECC Check bits		

Your Ultimate Memory Solution!

ATP AW12M7218BLK0MW

PIN ASSIGNMENT

No.	Designation	No.	Designation	No.	Designation	No.	Designation
1	VREFDQ	2	VSS	105	A1	106	A2
3	VSS	4	DQ4	107	A0	108	BA1
5	DQ0	6	DQ5	109	VDD	110	VDD
7	DQ1	8	VSS	111	CK0	112	CK1
9	VSS	10	$\overline{\text{DQS0}}$	113	$\overline{\text{CK0}}$	114	$\overline{\text{CK1}}$
11	DM0	12	DQS0	115	VDD	116	VDD
13	DQ2	14	VSS	117	A10/AP	118	NC
15	DQ3	16	DQ6	119	BA0	120	NC
17	VSS	18	DQ7	121	$\overline{\text{WE}}$	122	$\overline{\text{RAS}}$
19	DQ8	20	VSS	123	VDD	124	VDD
21	DQ9	22	DQ12	125	$\overline{\text{CAS}}$	126	ODT0
23	VSS	24	DQ13	127	$\overline{\text{CS0}}$	128	NC
25	$\overline{\text{DQS1}}$	26	VSS	129	NC	130	A13
27	DQS1	28	DM1	131	VDD	132	VDD
29	VSS	30	$\overline{\text{RESET}}$	133	DQ32	134	DQ36
31	DQ10	32	VSS	135	DQ33	136	DQ37
33	DQ11	34	DQ14	137	VSS	138	VSS
35	VSS	36	DQ15	139	$\overline{\text{DQS4}}$	140	DM4
37	DQ16	38	VSS	141	DQS4	142	DQ38
39	DQ17	40	DQ20	143	VSS	144	DQ39
41	VSS	42	DQ21	145	DQ34	146	VSS
43	$\overline{\text{DQS2}}$	44	DM2	147	DQ35	148	DQ44
45	DQS2	46	VSS	149	VSS	150	DQ45
47	VSS	48	DQ22	151	DQ40	152	VSS
49	DQ18	50	DQ23	153	DQ41	154	$\overline{\text{DQS5}}$
51	DQ19	52	VSS	155	VSS	156	DQS5
53	VSS	54	DQ28	157	DM5	158	VSS
55	DQ24	56	DQ29	159	DQ42	160	DQ46
57	DQ25	58	VSS	161	DQ43	162	DQ47
59	DM3	60	$\overline{\text{DQS3}}$	163	VSS	164	VSS
61	VSS	62	DQS3	165	DQ48	166	DQ52
63	DQ26	64	VSS	167	DQ49	168	DQ53
65	DQ27	66	DQ30	169	VSS	170	VSS
67	VSS	68	DQ31	171	$\overline{\text{DQS6}}$	172	DM6
69	CB0	70	VSS	173	DQS6	174	DQ54
71	CB1	72	CB4	175	VSS	176	DQ55
				177	DQ50	178	VSS
73	VSS	74	CB5	179	DQ51	180	DQ60
75	$\overline{\text{DQS8}}$	76	DM8	181	VSS	182	DQ61
77	DQS8	78	VSS	183	DQ56	184	VSS
79	VSS	80	CB6	185	DQ57	186	$\overline{\text{DQS7}}$
81	CB2	82	CB7	187	VSS	188	DQS7
83	CB3	84	VREFCA	189	DM7	190	VSS
85	VDD	86	VDD	191	DQ58	192	DQ62
87	CKE0	88	A15	193	DQ59	194	DQ63
89	CKE1	90	A14	195	VSS	196	VSS
91	BA2	92	A9	197	SA0	198	$\overline{\text{Event}}$
93	VDD	94	VDD	199	VDDSPD	200	SDA
95	A12/ $\overline{\text{BC}}$	96	A11	201	SA1	202	SCL
97	A8	98	A7	203	VTT	204	VTT
99	A5	100	A6				
101	VDD	102	VDD				
103	A3	104	A4				

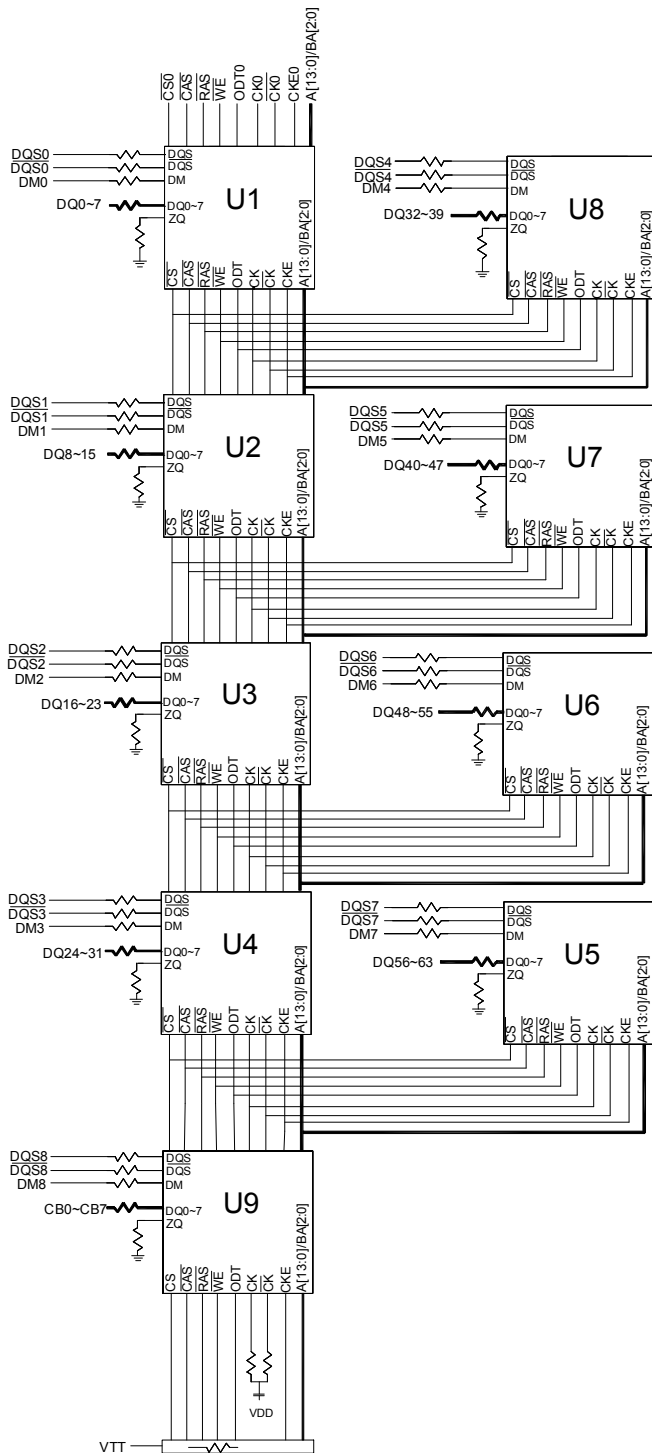
Notes1: This address might be connected to NC balls of the DRAMs (depending on density); either way they will be connected to the termination resistor.

Your Ultimate Memory Solution!

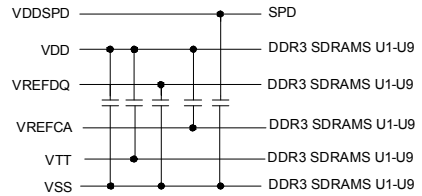
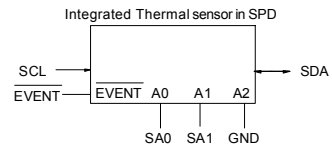
2590 North First Street, San Jose, CA 95131, USA. <http://www.atpinc.com>
Tel. (408) 732-5000 Fax (408) 732-5055



FUNCTIONAL BLOCK DIAGRAM



Serial PD w/ integrated Thermal sensor



- BA0-BA2 → DDR3 SDRAMs U1-U9
- A0-A14 → DDR3 SDRAMs U1-U9
- RAS → DDR3 SDRAMs U1-U9
- CAS → DDR3 SDRAMs U1-U9
- WE → DDR3 SDRAMs U1-U9
- RESET → DDR3 SDRAMs U1-U9
- CK0 → DDR3 SDRAMs U1-U9
- CK0 → DDR3 SDRAMs U1-U9
- CK1 →
- CK1 →

Your Ultimate Memory Solution!

2590 North First Street, San Jose, CA 95131, USA. <http://www.atpinc.com>
Tel. (408) 732-5000 Fax (408) 732-5055



ATP AW12M7218BLK0MW

ABSOLUTE MAXIMUM DC RATINGS

Item	Symbol	Rating	Units	Notes
Voltage on V_{DD} pin relative to V_{SS}	V_{DD}	-0.4V ~ 1.975V	V	1
Voltage on V_{DDQ} pin relative to V_{SS}	V_{DDQ}	-0.4V ~ 1.975V	V	1
Voltage on any pin relative to V_{SS}	V_{IN}, V_{OUT}	-0.4V ~ 1.975V	V	1
Storage Temperature	T_{STG}	-55 to +100	°C	1
Operating Temperature	T_{CASE}	-40 to +95	°C	1,2,3
	T_A	-40 to +85	°C	1,4,5

Note:

1. Permanent device damage may occur if ABSOLUTE MAXIMUM RATINGS are exceeded. This is a stress rating only and functional operation of the device at these or any other conditions above those indicated in the operational sections of this specification is not implied. Exposure to absolute maximum rating conditions for extended periods may affect reliability.
2. It is the case surface temperature on the center/top side of the DRAM. For the measurement conditions, please refer to JESD51-2 standard.
3. At 85 - 95 °C operation temperature range, doubling refresh commands in frequency to a 32ms period (Refresh interval =3.9 μ s) is required, and to enter to self refresh mode at this temperature range, an EMRS command is required to change internal refresh rate.
4. Both temperature specifications must be satisfied.
5. Operating ambient temperature surrounding the package.

AC & DC OPERATING CONDITIONS (SSTL- 15)

Recommended operating conditions

Item	Symbol	Min.	Typical	Max.	Units
Supply Voltage	V_{DD}	1.425	1.5	1.575	V
Supply Voltage for Output ⁴	V_{DDQ}	1.425	1.5	1.575	V
VREFCA(DC)	I/O	0.49 * V_{DDQ}	0.50 * V_{DDQ}	0.51 * V_{DDQ}	V
VREFDQ(DC)	I/O	0.49 * V_{DDQ}	0.50 * V_{DDQ}	0.51 * V_{DDQ}	V
Input High Voltage (DC)	V_{IH} (DC)	$V_{REF} + 0.100$	-	V_{DD}	V
Input High Voltage (AC)	V_{IH} (AC)	$V_{REF} + 0.175$	-	-	V
Input Low Voltage (DC)	V_{IL} (DC)	V_{SS}	-	$V_{REF} - 0.100$	V
Input Low Voltage (AC)	V_{IL} (AC)	-	-	$V_{REF} - 0.175$	V

Note:

1. The value of V_{REF} may be selected by the user to provide optimum noise margin in the system. Typically the value of V_{REF} is expected to be about 0.5 x V_{DDQ} of the transmitting device and V_{REF} is expected to track variations in V_{DDQ} .
2. Peak to peak AC noise on V_{REF} may not exceed $\pm 2\%$ V_{REF} (DC).
3. V_{TT} of transmitting device must track V_{REF} of receiving device.
4. AC parameters are measured with V_{DD} , V_{DDQ} and V_{DDL} tied together.

RELIABILITY

MTBF @25 °C (Hours) ¹	FIT @ 25 °C ²	MTBF @40 °C (Hours) ¹	FIT @ 40 °C ²
12,454,000	87	6,085,000	164

Note:

1. The Mean Time between Failures (MTBF) is calculated using a prediction methodology, Bellcore Prediction, which based on reliability data of the individual components in the module. It assumes nominal voltage, with all other parameters within specified range.
2. Failures per Billion Device-Hours.

Your Ultimate Memory Solution!

2590 North First Street, San Jose, CA 95131, USA. <http://www.atpinc.com>
Tel. (408) 732-5000 Fax (408) 732-5055



ATP AW12M7218BLK0MW

IDD SPECIFICATION PARAMETER & POWER CONSUMPTION

(IDD values are for full operating range of Voltage and Temperature)

Symbol	Proposed Conditions	Value	Units
IDD0	Operating one bank active-precharge current; CKE: High; External clock: On; tCK, nRC, nRAS, CL: see Timing table ; BL: 8; AL: 0/ CS: High between ACT and PRE; Command, Address, Bank Address Inputs: partially toggling ; Data IO: FLOATING; DM:stable at 0; Bank Activity: Cycling with one bank active at a time: 0,0,1,1,2,2,....; Output Buffer and RTT: Enabled in Mode Registers; ODT Signal: stable at 0;	500	mA
IDD1	Operating one bank active-read-precharge current; CKE: High; External clock: On; tCK, nRC, nRAS, nRCD, CL: see Timing table ; BL: 8; AL: 0; /CS: High between ACT, RD and PRE; Command, Address, Bank Address Inputs, Data IO: partially toggling ; DM:stable at 0; Bank Activity: Cycling with one bank active at a time: 0,0,1,1,2,2,....; Output Buffer and RTT: Enabled in Mode Registers; ODT Signal: stable at 0;	590	mA
IDD2P0	Precharge Power-Down Current Slow Exit CKE: Low; External clock: On; tCK, CL: see Timing table ; BL: 8; AL: 0; /CS: stable at 1; Command, Address, Bank Address Inputs: stable at 0; Data IO: FLOATING; DM:stable at 0; Bank Activity: all banks closed; Output Buffer and RTT: Enabled in Mode Registers2); ODT Signal: stable at 0; Pre-charge Power Down Mode: Slow Exit	160	mA
IDD2P1	Precharge Power-Down Current Fast Exit CKE: Low; External clock: On; tCK, CL: see Timing table; BL: 8); AL: 0; /CS: stable at 1; Command, Address, Bank Address Inputs: stable at 0; Data IO: FLOATING; DM:stable at 0; Bank Activity: all banks closed; Output Buffer and RTT: Enabled in Mode Registers; ODT Signal: stable at 0; Pre-charge Power Down Mode: Fast Exit	290	mA
IDD2N	Precharge standby current; CKE: High; External clock: On; tCK, CL: see Timing table ; BL: 8; AL: 0; /CS: stable at 1; Command, Address, Bank Address Inputs: partially tog- gling; Data IO: FLOATING; DM:stable at 0; Bank Activity: all banks closed; Output Buffer and RTT: Enabled in Mode Registers; ODT Signal: stable at 0;	290	mA
IDD2NT	Precharge Standby ODT Current CKE: High; External clock: On; tCK, CL: see Timing table ; BL: 8; AL: 0; /CS: stable at 1; Command, Address, Bank Address Inputs: partially tog- gling ; Data IO: FLOATING; DM:stable at 0; Bank Activity: all banks closed; Output Buffer and RTT: Enabled in Mode Registers	350	mA
IDD2Q	Precharge quiet standby current; CKE: High; External clock: On; tCK, CL: see Timing table; BL: 8; AL: 0; /CS: stable at 1; Command, Address, Bank Address Inputs: stable at 0; Data IO: FLOATING; DM:stable at 0; Bank Activity: all banks closed; Output Buffer and RTT: Enabled in Mode Registers; ODT Signal: stable at 0	290	mA
IDD3P	Active Power-Down Current CKE: Low; External clock: On; tCK, CL: see Timing table ; BL: 8; AL: 0; /CS: stable at 1; Command, Address, Bank Address Inputs: stable at 0; Data IO: FLOATING; DM:stable at 0; Bank Activity: all banks open; Output Buffer and RTT: Enabled in Mode Registers; ODT Signal: stable at 0	340	mA
IDD3N	Active Standby Current CKE: High; External clock: On; tCK, CL: see Timing table ; BL: 8; AL: 0; /CS: stable at 1; Command, Address, Bank Address Inputs: partially tog- gling ; Data IO: FLOATING; DM:stable at 0; Bank Activity: all banks open; Output Buffer and RTT: Enabled in Mode Registers; ODT Signal: stable at 0;	340	mA
IDD4R	Operating Burst Read Current CKE: High; External clock: On; tCK, CL: see Timing table; BL: 8; AL: 0; /CS: High between RD; Command, Address, Bank Address Inputs: par- tially toggling ; Data IO: seamless read data burst with different data between one burst and the next one; DM: stable at 0; Bank Activity: all banks open, RD commands cycling through banks: 0,0,1,1,2,2,....; Output Buffer and RTT: Enabled in Mode Registers; ODT Signal: stable at 0;	1,410	mA
IDD4W	Operating Burst Write Current CKE: High; External clock: On; tCK, CL: see Timing table ; BL: 8; AL: 0; CS: High between WR; Command, Address, Bank Address Inputs: par- tially toggling ; Data IO: seamless write data burst with different data between one burst and the next one; DM: stable at 0; Bank Activity: all banks open, WR commands cycling through banks: 0,0,1,1,2,2,....; Output Buffer and RTT: Enabled in Mode Registers; ODT Signal: stable at HIGH;	1,130	mA
IDD5B	Burst Refresh Current CKE: High; External clock: On; tCK, CL, nRFC: see Timing table ; BL: 8; AL: 0; CS: High between REF; Command, Address, Bank Address Inputs: partially toggling ; Data IO: FLOATING; DM:stable at 0; Bank Activity: REF command every nRFC; Output Buffer and RTT: Enabled in Mode Registers; ODT Signal: stable at 0;	1,400	mA
IDD6	Self Refresh Current: Normal Temperature Range TCASE: 0 - 85°C; Auto Self-Refresh (ASR): Disabled; Self-Refresh Temperature Range (SRT): Normale); CKE: Low; External clock: Off; CK and CK: LOW; CL: see Timing table ; BL: 8; AL: 0; /CS, Command, Address, Bank Address, Data IO: FLOATING; DM:stable at 0; Bank Activity: Self- Refresh operation; Output Buffer and RTT: Enabled in Mode Registers2); ODT Signal: FLOATING	180	mA
IDD7	Operating Bank Interleave Read Current CKE: High; External clock: On; tCK, nRC, nRAS, nRCD, nRRD, nFAW, CL: see Timing table ; BL: 8; AL: CL-1; /CS: High between ACT and RDA; Command, Address, Bank Address Inputs: partially toggling; Data IO: read data bursts with different data between one burst and the next one ; DM:stable at 0; Bank Activity: two times interleaved cycling through banks (0, 1, ...7) with different addressing; Output Buffer and RTT: Enabled in Mode Registers; ODT Signal: stable at 0;	1,980	mA
PDIMM	Power Consumption per DIMM System is operating at 800 MHz clock with VDD = 1.5V. This parameter is calculated at a common loading.	2,310	mW

Your Ultimate Memory Solution!

2590 North First Street, San Jose, CA 95131, USA. <http://www.atpinc.com>
Tel. (408) 732-5000 Fax (408) 732-5055



ATP AW12M7218BLK0MW

TIMING PARAMETER

Parameter	Symbol	DDR3-1600		Units
		min	Max	
Clock cycle time at CL=11, CWL=8	tCK	1.25	<1.5	ns
Internal read command to first data	tAA	13.75(13.125 ²)	20	ns
ACT to internal read or write delay time	tRCD	13.75(13.125 ²)		ns
PRE command period	tRP	13.75(13.125 ²)		ns
ACT to ACT or REF command period	tRC	48.75(48.125 ²)		ns
ACTIVE to PRECHARGE command period	tRAS	35	9*tREFI	ns
Average high pulse width	tCH(avg)	0.47	0.53	tCK
Average low pulse width	tCL(avg)	0.47	0.53	tCK
DQS, \overline{DQS} to DQ skew, per group, per access	tDQSQ		100	ps
DQ output hold time from DQS, \overline{DQS}	tQH	0.38		tCK
DQ low-impedance time from CK, \overline{CK}	tLZ(DQ)	-450	225	ps
DQ high-impedance time from CK, \overline{CK}	tHZ(DQ)		225	ps
Data setup time to DQS, \overline{DQS} referenced to Vih(ac)/Vil(ac) levels	tDS(base)	10		ps
Data hold time to DQS, \overline{DQS} referenced to Vih(ac)/Vil(ac) levels	tDH(base)	45		ps
DQS, \overline{DQS} READ Preamble	tRPRE	0.9	-	tCK
DQS, \overline{DQS} differential READ Postamble	tRPST	0.3		tCK
DQS, \overline{DQS} output high time	tQSH	0.4	-	tCK
DQS, \overline{DQS} output low time	tQSL	0.4	-	tCK
DQS, \overline{DQS} WRITE Preamble	tWPRE	0.9	-	tCK
DQS, \overline{DQS} WRITE Postamble	tWPST	0.3	-	tCK
DQS, \overline{DQS} rising edge output access time from rising CK, \overline{CK}	tDQSCK	-225	225	ps
DQS, \overline{DQS} low-impedance time (Referenced from RL-1)	tLZ(DQS)	-450	225	ps
DQS, \overline{DQS} high-impedance time (Referenced from RL+BL/2)	tHZ(DQS)	-	225	ps
DQS, \overline{DQS} differential input low pulse width	tDQSL	0.45	0.55	tCK
DQS, \overline{DQS} differential input high pulse width	tDQSH	0.45	0.55	tCK
DQS, \overline{DQS} rising edge to CK, \overline{CK} rising edge	tDQSS	-0.27	0.27	tCK
DQS, \overline{DQS} falling edge setup time to CK, \overline{CK} rising edge	tDSS	0.18	-	tCK
DQS, \overline{DQS} falling edge hold time to CK, \overline{CK} rising edge	tDSH	0.18	-	tCK
DLL locking time	tDLLK	512		nCK ¹
Internal READ Command to PRECHARGE Command delay	tRTP	max(4nCK,7.5ns)		
Delay from start of internal write transaction to internal read command	tWTR	max(4nCK,7.5ns)		
WRITE recovery time	tWR	15		ns
Mode Register Set command cycle time	tMRD	4		nCK ¹
Mode Register Set command update delay	tMOD	max(12nCK,15ns)		
\overline{CAS} to \overline{CAS} command delay	tCCD	4		nCK ¹
Auto precharge write recovery + precharge time	tDAL	tWR + roundup (tRP / tCK)		nCK ¹
Multi-Purpose Register Recovery Time	tMPRR	1		nCK ¹
ACTIVE to ACTIVE command period for 1KB page size	tRRD	max(4nCK,6ns)		
Four activate window for 1KB page size	tFAW	30		ns
Command and Address setup time to CK, \overline{CK} referenced to Vih(ac) / Vil(ac) levels	tIS(base)	45		ps
Command and Address hold time from CK, \overline{CK} referenced to Vih(ac) / Vil(ac) levels	tIH(base)	120		ps
Power-up and RESET calibration time	tZQinitl	512		nCK ¹
Normal operation Full calibration time	tZQoper	256		nCK ¹
Normal operation short calibration time	tZQCS	64		nCK ¹
Exit Reset from CKE HIGH to a valid command	tXPR	max(5nCK, tRFC+ 10ns)		
Exit Power Down with DLL on to any valid command; Exit Precharge Power Down with DLL frozen to commands not requiring a locked DLL	tXP	max(3nCK,6ns)		
Asynchronous RTT turn-on delay (Power-Down with DLL frozen)	tAONPD	2	8.5	ns
Asynchronous RTT turn-off delay (Power-Down with DLL frozen)	tAOPFD	2	8.5	ns
ODT turn-on	tAON	-225	225	ps
RTT_NOM and RTT_WR turn-off time from ODTLoff reference	tAOF	0.3	0.7	tCK
RTT dynamic change skew	tADC	0.3	0.7	tCK
4Gb REFRESH to REFRESH OR REFRESH to ACTIVE command interval	tRFC	260	70,200	ns
Average periodic refresh interval (0°C ≤ TCASE ≤ 85 °C)	tREFI	7.8	7.8	us
Average periodic refresh interval (85°C ≤ TCASE ≤ 95 °C)	tREFI	3.9	3.9	us
Exit Self Refresh to commands not requiring a locked DLL	tXS	max(5nCK,tRFC+10ns)		
Exit Self Refresh to commands requiring a locked DLL	tXSDLL	tDLLK(min)		nCK ¹
Power Down Entry to Exit Timing	tPD	tCK(min)	9*tREFI	tCK
Write leveling output delay	tWLO	0	7.5	ns
Write leveling output error	tWLOE	0	2	ns

1:Unit 'nCK' represents one clock cycle of the input clock, counting the actual clock edges.

2: For devices supporting optional downshift to CL=7 and CL=9, tAA/tRCD/tRP min must be 13.125 ns or lower. SPD settings must be programmed to match.

Your Ultimate Memory Solution!

2590 North First Street, San Jose, CA 95131, USA. <http://www.atpinc.com>
Tel. (408) 732-5000 Fax (408) 732-5055

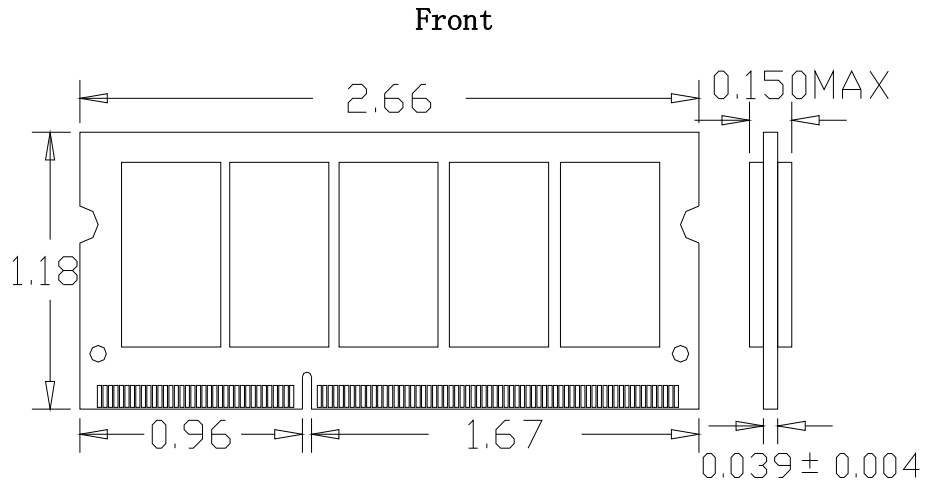


ATP AW12M7218BLK0MW

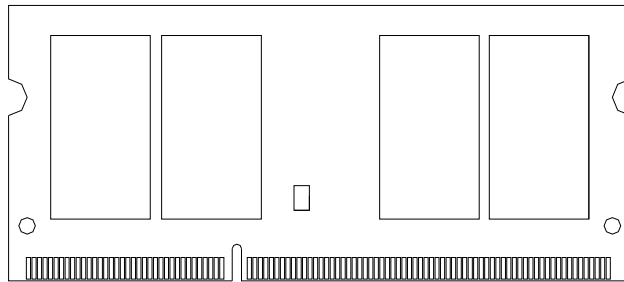
PHYSICAL DIMENSIONS (UNITS IN INCHES)

(Drawing not to scale)

204-pin DIMM



Back



Disclaimer:

No part of this document may be copied or reproduced in any form or by any means, or transferred to any third party, without the prior written consent of an authorized representative of ATP Electronics (“ATP”). The information in this document is subject to change without notice. ATP assumes no responsibility for any errors or omissions that may appear in this document, and disclaims responsibility for any consequences resulting from the use of the information set forth herein. ATP makes no commitments to update or to keep current information contained in this document. The information set forth in this document is considered to be “Proprietary” and “Confidential” property owned by ATP.

Your Ultimate Memory Solution!

2590 North First Street, San Jose, CA 95131, USA. <http://www.atpinc.com>
Tel. (408) 732-5000 Fax (408) 732-5055

