



PART NAME

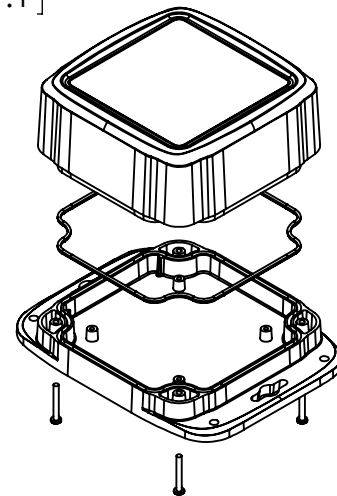
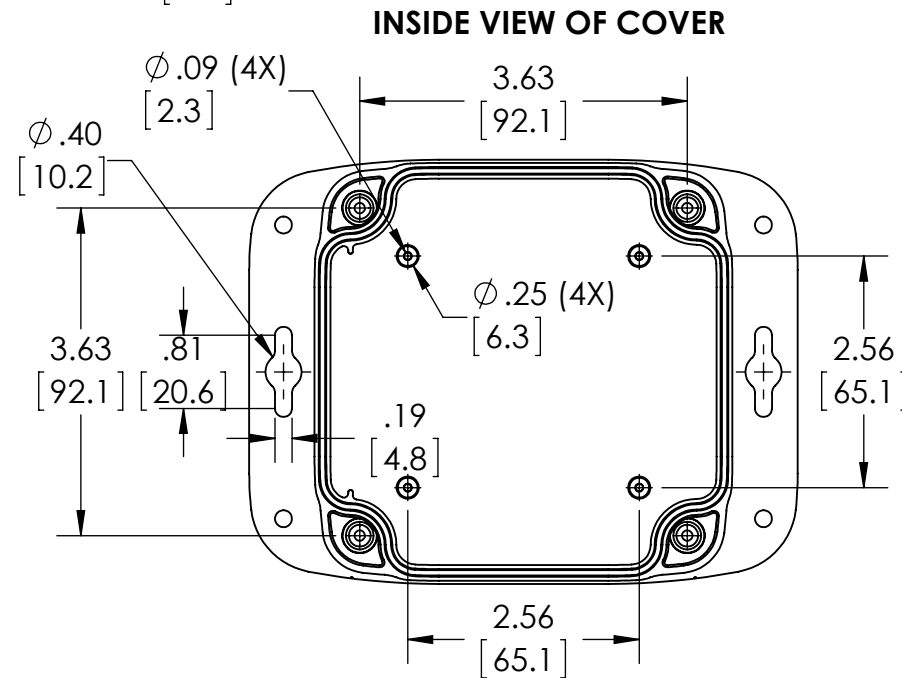
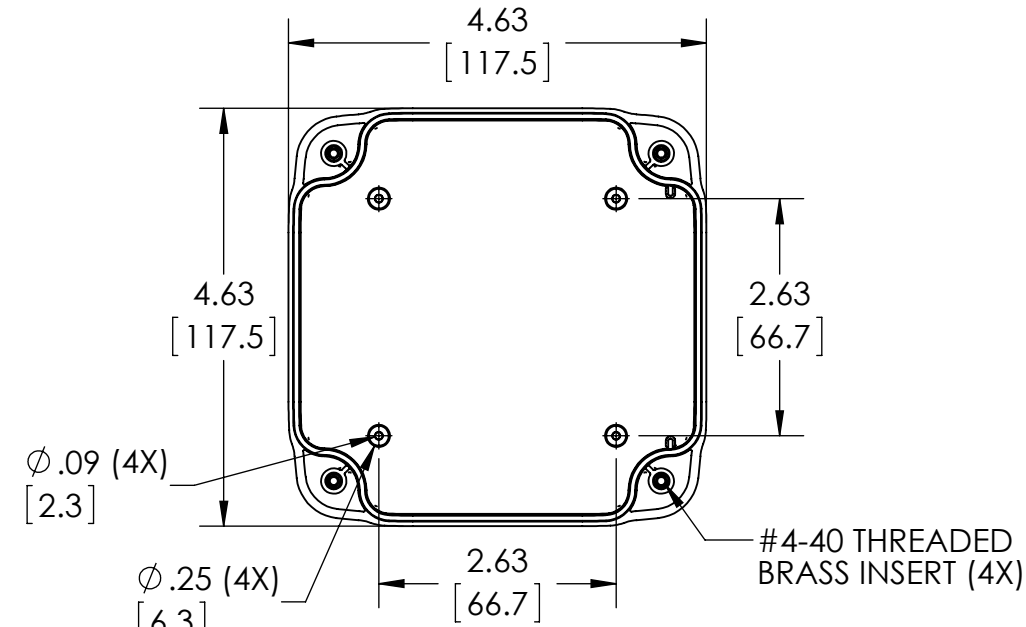
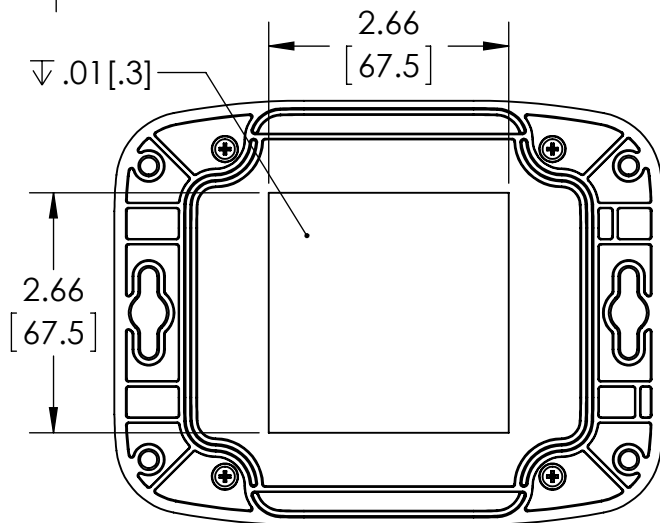
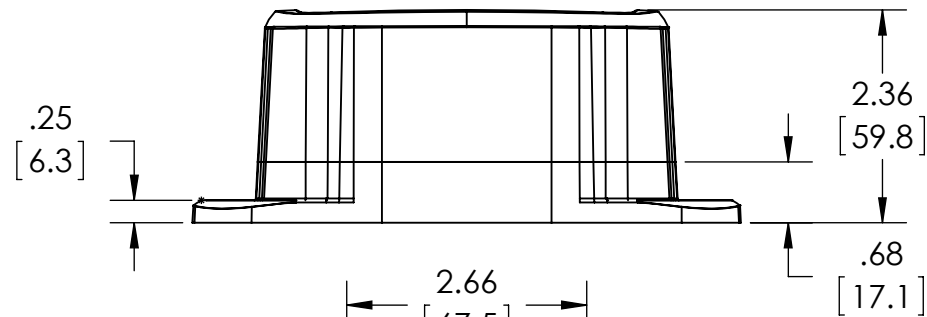
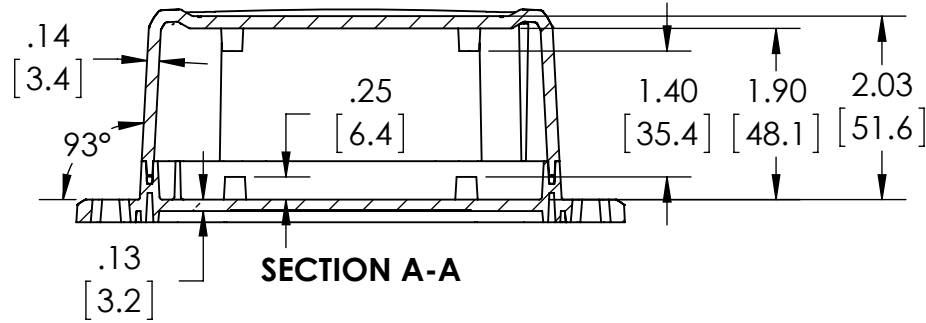
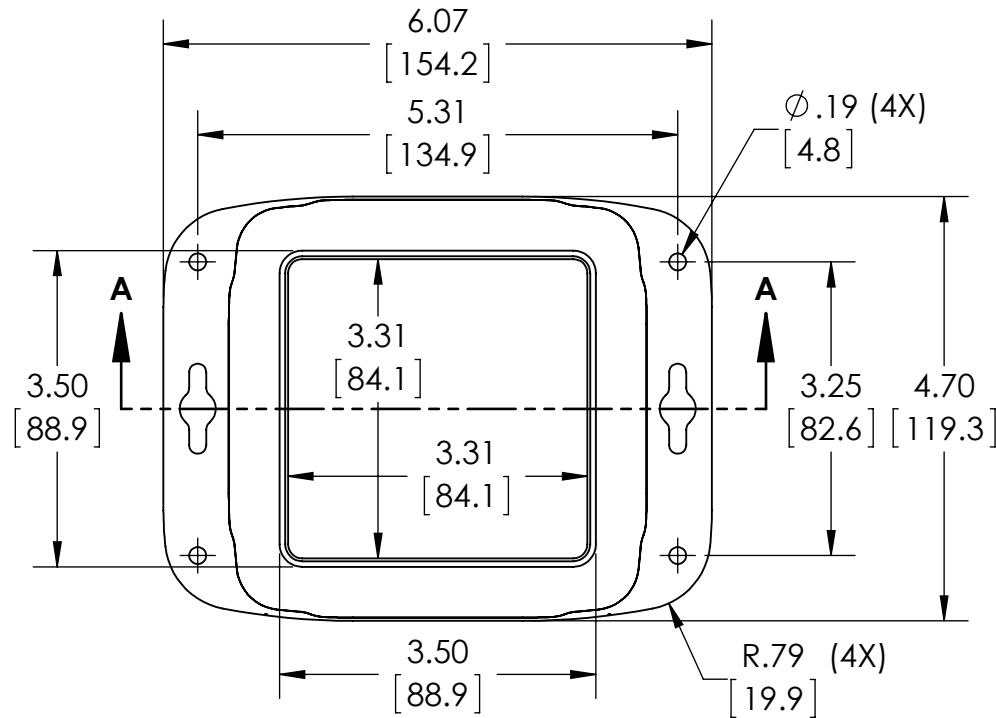
HEAVY DUTY PLASTIC NEMA BOX

PART No.

HD-7602

REVISION DATE

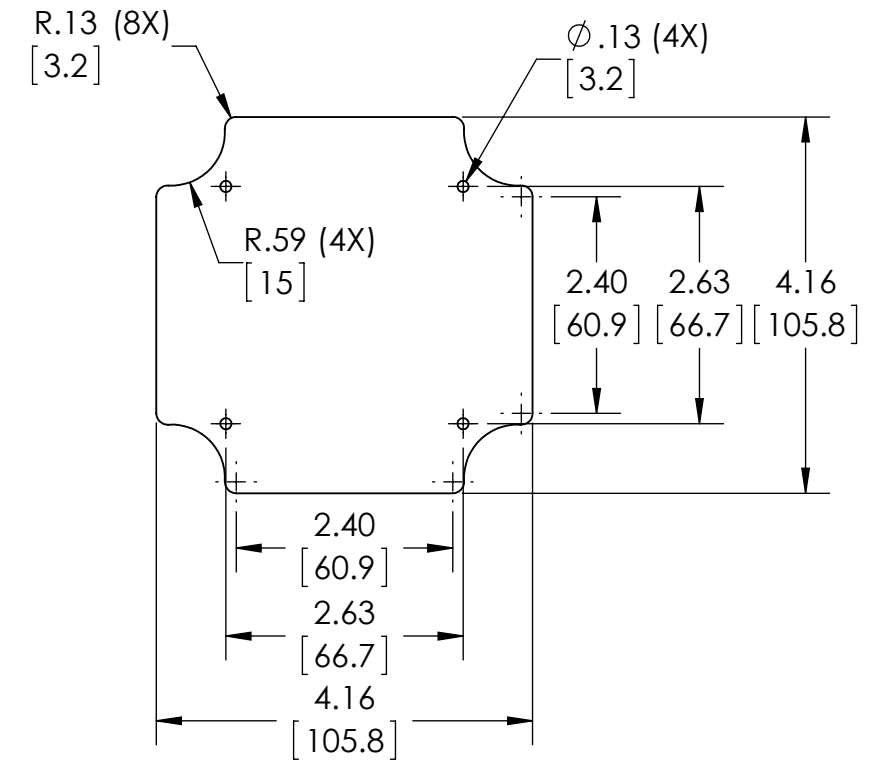
2-23-15



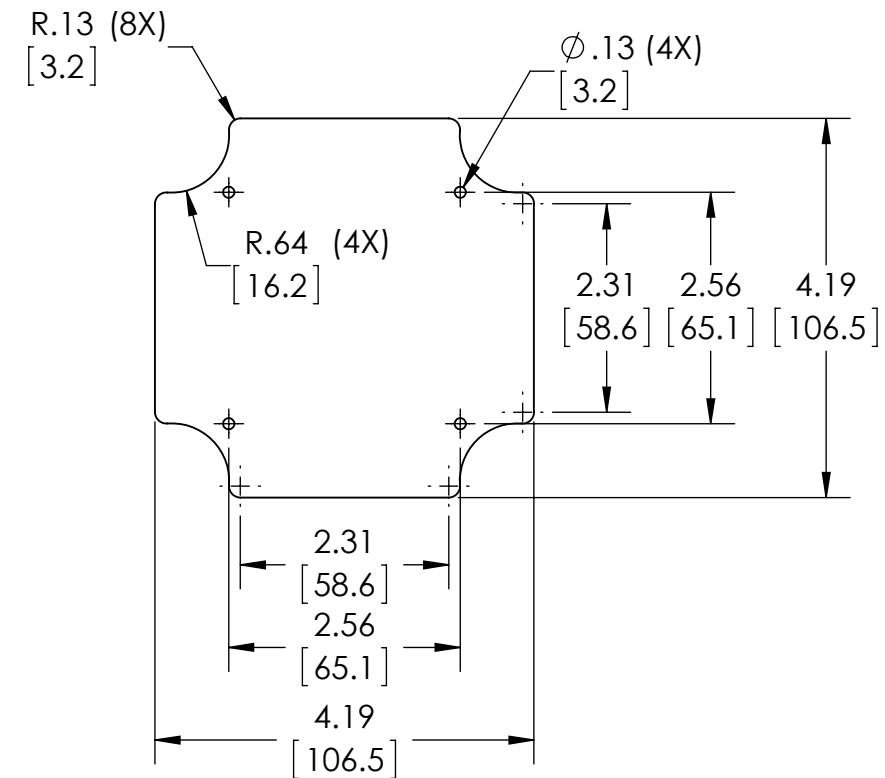
DRAWING FOR REFERENCE

MATERIAL: BASE & COVER - POLYCARBONATE
 UL94V-0 AND UV STABILIZED
 FINISH: TEXTURED BLACK
 GASKET SILICONE RUBBER

ENCLOSURE DESIGNED TO IP 66 OF IEC 529
 AND NEMA 4, 4X, 12, 13
 FOUR (4) #4-40 x 7/8 LG. PAN HEAD STAINLESS
 STEEL SCREWS SUPPLIED FOR ASSEMBLY OF COVER
 RECOMMENDED TORQUE SETTING FOR ASSEMBLY
 SCREWS : 6.25 IN-LBS.
 PCB BOSSES WILL ACCEPT A #4 x 1/4 LG. THREAD
 FORMING SCREW (NOT SUPPLIED)



REFERENCE MAXIMUM COVER P.C.B. SIZE
 SIZES INCLUDE .03 [.8] CLEARANCE FROM INNER WALLS
 AND SCREW TOWERS WHEN UTILIZING THE MOUNTING
 BOSSES IN THE COVER. (P.C.B.S NOT SUPPLIED)



REFERENCE MAXIMUM BASE P.C.B. SIZE