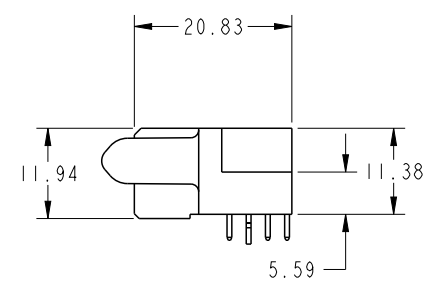
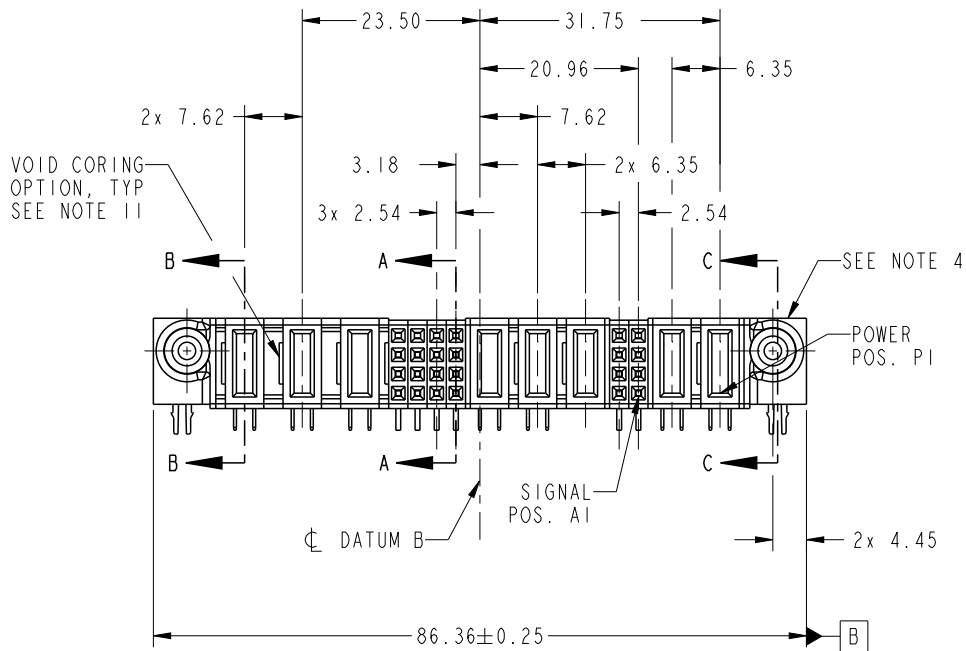


PRODUCT NO. 51915-485-- NOTE 3	ROWS D C B A	POWER			S			POWER			S			POWER			
		E2	P8	P7	P6	6	5	4	3	P5	P4	P3	2	1	P2	P1	E1



CODE	DIM "M" MATING LENGTH	CONTACT TYPE
PC	[2.34]	POWER
PA	[1.07]	POWER
H	[N/A]	SIGNAL
G	[N/A]	SIGNAL
F	[N/A]	SIGNAL
E	[N/A]	SIGNAL
HA	[N/A]	HOLD-DOWN
X	OMITTED	

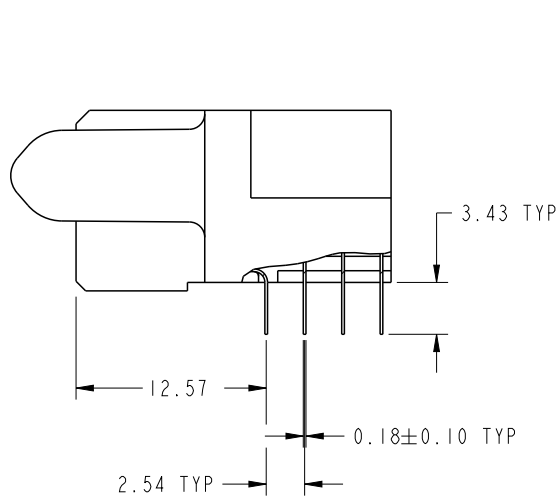
spec ref	SEE NOTES			dr	De-Ming Lu	2015/03/08	projection 	MM ←→	size	A4	scale	1:1
tolerance std	TOLERANCES UNLESS OTHERWISE SPECIFIED			eng	De-Ming Lu	2015/04/10			ecn no	-	rel level	Released
SEE NOTES				chr	Fancy Zhang	2015/04/09						
surface	linear	0.X	±0.50	appr	Pei-Ming Zheng	2015/04/10	product family		PwrBlade			
		0.XX	±0.25	 title 2P + 8S + 3P + 16S + 3ACP R/A SOLDER RECEPTACLE			dwg no	51915-485		rev	A	
		0.XXX	±0.10									
	angular	0°	±2°	www.fci.com		cat. no.	Product - Customer Drw			sheet 1 of 4		



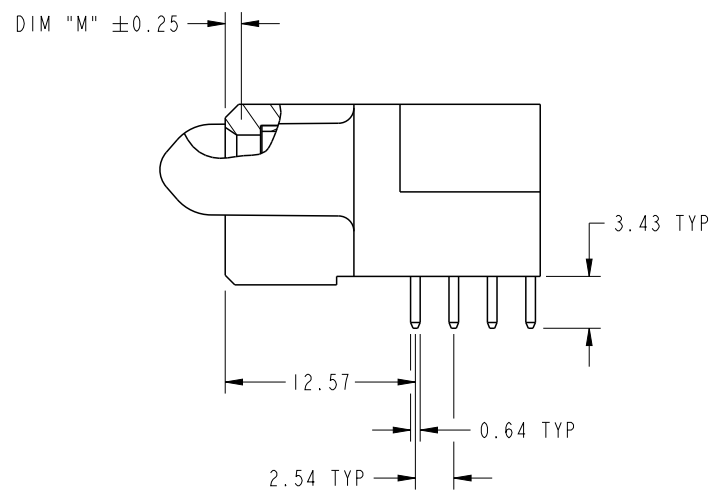
Copyright FCI.

PRODUCT NUMBER

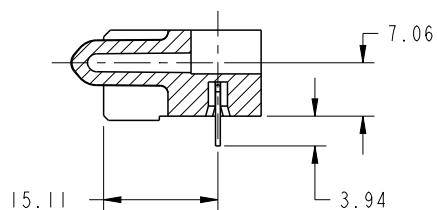
51915-485__
NOTE 3



BROKEN-OUT SECTION A-A
SCALE 2:1



BROKEN-OUT SECTION B-B
SCALE 2:1

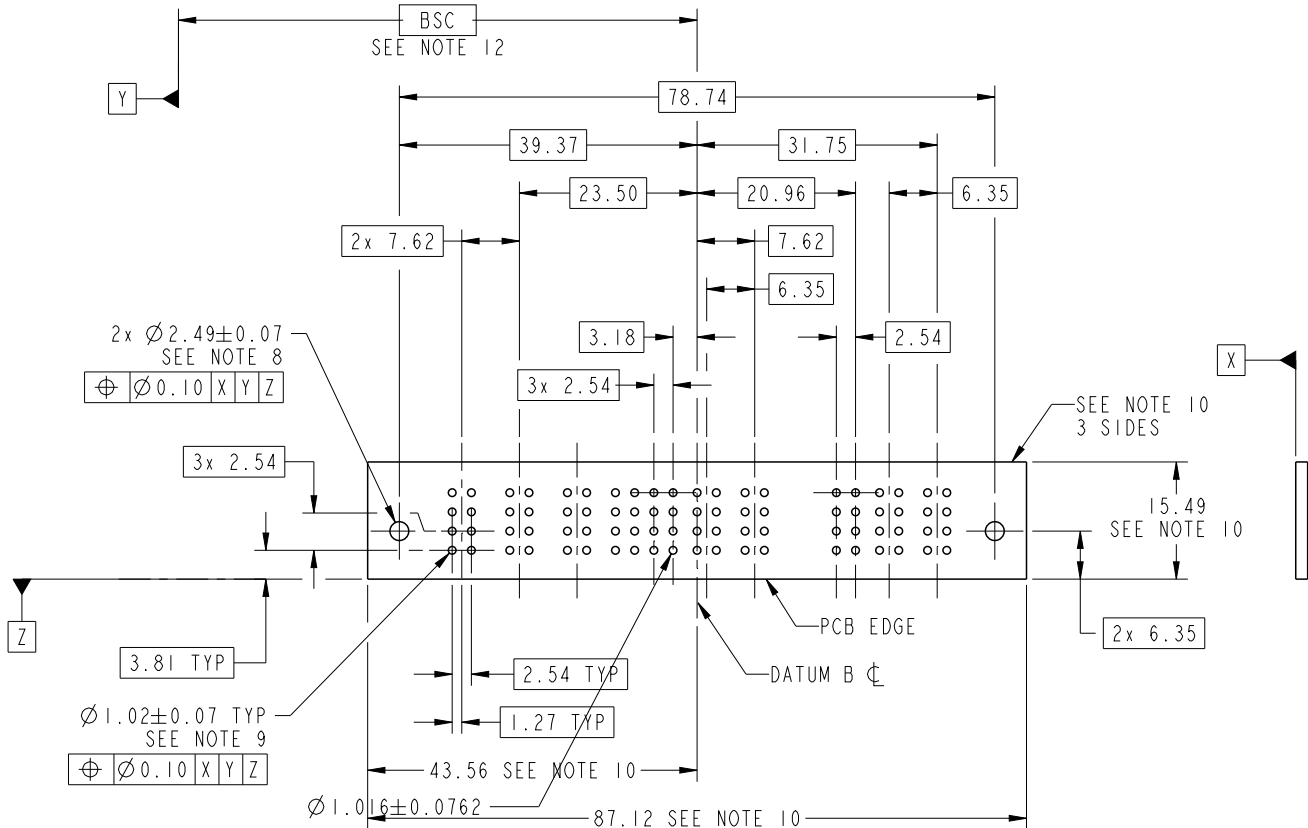


SECTION C-C

dr	De-Ming Lu	2015/03/08	projection 	MM 	size	A4	scale	1:1	
eng	De-Ming Lu	2015/04/10			ecn no	-			
chr	Fancy Zhang	2015/04/09			rel level	Released			
appr	Pei-Ming Zheng	2015/04/10	product family	PwrBlade					
		title	2P + 8S + 3P + 16S + 3ACP R/A SOLDER RECEPTACLE		dwg no	51915-485		rev	A
www.fci.com		cat. no.	Product - Customer Drw			sheet 2 of 4			

PRODUCT NUMBER

51915-485_
NOTE 3



RECOMMENDED PCB LAYOUT

dr	De-Ming Lu	2015/03/08	projection 	MM 	size	A4	scale	1:1			
eng	De-Ming Lu	2015/04/10			ecn no	-					
chr	Fancy Zhang	2015/04/09			rel level	Released					
appr	Pei-Ming Zheng	2015/04/10	product family	PwrBlade							
		title			2P + 8S + 3P + 16S + 3ACP		dwg no		51915-485	rev	A
www.fci.com		cat. no.			Product - Customer Drw			sheet 3 of 4			

PRODUCT NUMBER

51915-485__
NOTE 3

NOTES:

1. DIMENSIONS AND TOLERANCES ARE IN ACCORDANCE WITH ASME Y14.5M, 1994 UNLESS OTHERWISE SPECIFIED.

CONNECTOR NOTES:

- 2. HOUSING MATERIAL: UL 94 V-0 GLASS FILLED HIGH-TEMP THERMOPLASTIC
POWER CONTACT MATERIAL: COPPER ALLOY
SIGNAL PIN MATERIAL: COPPER ALLOY
 - 3. SEE ITEM 5 & 6 IN PRINT 10064183 FOR PLATING SPEC OF 51915-485 AND 51915-485LF RESPECTIVELY.
 - 4. MANUFACTURER'S NAME, DATE CODE AND OPTIONAL P/N TO APPEAR ON THIS SURFACE. THE MARK CAN BE OMITTED IF THERE IS NOT ENOUGH SPACE ON THIS SURFACE.
 - 5. PRODUCT SPECIFICATION GS-12-149.
APPLICATION SPECIFICATION BUS-20-067.
 - 6. PACKAGED IN TRAYS.
- PCB NOTES:
- 7. ALL HOLE DIAMETERS ARE FINISHED HOLE SIZE.
 - 8. MOUNTING HOLES, WHERE APPLICABLE, ARE UNPLATED.
 - 9. $\varnothing 1.151 \pm 0.025$ DRILLED HOLES PLATED WITH
0.008 MIN SnPb OR Sn OVER 0.03
TO 0.08 Cu PLATING TO ACHIEVE
 $\varnothing 1.02 \pm .07$ HOLE.
 - 10. CONNECTOR KEEP-OUT ZONE.
 - 11. THE VOID CORING IN BETWEEN POWER MODULES, SIGNAL MODULES AND END MODULES ARE OPTIONAL AND THE SHAPE MAY BE DIFFERENT FOR OPTIMIZE THE MOLDING PROCESS. THE VOID CORING WILL NOT EFFECT TO PRODUCT FUNCTION.
 - 12. DATUM AND BASIC DIMENIONS ARE ESTABLISHED BY CUSTOMER.

dr	De-Ming Lu	2015/03/08	projection 	MM 	size	A4	scale	1:1
eng	De-Ming Lu	2015/04/10			ecn no	-		
chr	Fancy Zhang	2015/04/09			product family	PwrBlade	rel level	Released
appr	Pei-Ming Zheng	2015/04/10			title 2P + 8S + 3P + 16S + 3ACP R/A SOLDER RECEPTACLE	dwg no 51915-485	rev A	
www.fci.com		cat. no.	Product - Customer Drw			sheet 4 of 4		



Copyright FCI.