

- 注記 NOTES:
1. 使用材料 MATERIAL  
 ウエハー: 液晶ポリマー ガラス充填 UL94V-0 茶色  
 WAFER: LIQUID CRYSTAL POLYMER, GLASS FILLED, UL94V-0, COLOR BROWN  
 PIN: リン青銅 (t=0.15)  
 PIN: PHOSPHOR BRONZE (t=0.15)  
 補強金具: リン青銅 (t=0.2)  
 FITTING NAIL: PHOSPHOR BRONZE (t=0.2)
  2. メッキ仕様 PLATING  
 PIN PIN  
 金メッキ 0.25 マイクロメートル以上 (コンタクト部)  
 GOLD 0.25 MICROMETER MINIMUM (CONTACT AREA)  
 金メッキ 0.35 マイクロメートル以下 (テール部)  
 GOLD 0.35 MICROMETER MAXIMUM (TAIL AREA)  
 下地メッキ: ニッケルメッキ 1.5 マイクロメートル以上  
 UNDER PLATING: NICKEL 1.5 MICROMETER MINIMUM  
 補強金具 FITTING NAIL  
 鍍メッキ: 1.0 マイクロメートル以上  
 TIN: 1.0 MICROMETER MINIMUM  
 下地メッキ: ニッケルメッキ 1.0 マイクロメートル以上  
 UNDER PLATING: NICKEL 1.0 MICROMETER MINIMUM
  3. 嵌合相手: 54552 シリーズ  
 MATE WITH: 54552 SERIES.
  4. テール平坦度は、0.08 以下  
 テール及び金具の平坦度は、0.1 以下  
 TAIL COPLANARITY TO BE 0.08 MAXIMUM  
 TAIL AND FITTING NAIL COPLANARITY TO BE 0.1 MAXIMUM
  5. 本製品は 55394-\*\*\*5 の鉛フリー品である。  
 THIS PRODUCT IS LEAD FREE OF 55394-\*\*\*5.

20.5	21.9	17.6	23	55394-0909	90
18.5	19.9	15.6	21	55394-0809	80
10.5	11.9	7.6	13	55394-0409	40
8.5	9.9	5.6	11	55394-0309	30
6.5	7.9	3.6	9	55394-0209	20
D	C	B	A	MATERIAL NO.	CIRCUIT

MODEL NO.		55394-***9			
DIMENSION STYLE		SCALE	DESIGN UNITS		THIRD ANGLE PROJECTION
MM ONLY		---	METRIC		
DRAWN BY		DATE	TITLE		
HKAWABAT		2004/05/06	0.4 B/B CONN. PLUG ASS'Y (R/A) W/O BOSS -LEAD FREE-		
CHECKED BY		DATE	MOLEX MOLEX INCORPORATED		
KT0JO		2004/05/06			
APPROVED BY		DATE	DOCUMENT NO.		
MSASAO		2004/05/06	SD-55394-015		SHEET NO.
MATERIAL NO.		SEE CHART			1 OF 3
SIZE A3 THIS DRAWING CONTAINS INFORMATION THAT IS PROPRIETARY TO MOLEX INCORPORATED AND SHOULD NOT BE USED WITHOUT WRITTEN PERMISSION					

REVISED EC NO: J2006-1654 DRW: HVAJIMA 2005/12/27 CHK: DMTANAKA 2006/01/05 APP: NUKITA 2006/01/10	GENERAL TOLERANCES (UNLESS SPECIFIED)	
	10 UNDER	±0.2
	10 OVER 30 UNDER	±0.25
	30 OVER	±0.3
	ANGULAR	±3 °
DRAFT WHERE APPLICABLE MUST REMAIN WITHIN DIMENSIONS		

10 9 8 7 6 5 4 3 2 1

F

F

E

E

D

D

C

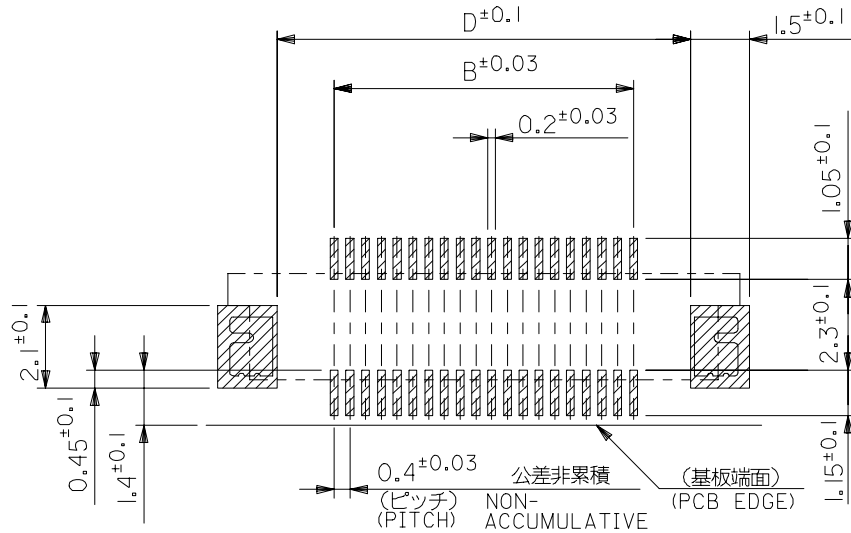
C

B

B

A

A



参考基板レイアウト (マウント面)  
 RECOMMENDED P.C.BOARD  
 PATTERN DIMENSION. (REFERENCE)  
 (MOUNTING AREA)

MODEL NO. 55394-\*\*\*9

REVISED EC NO: J2006-1654 DRW:HYAJIMA 2005/12/27 CHKD:TANAKA 2006/01/05 APPR:NUKITA 2006/01/10	GENERAL TOLERANCES (UNLESS SPECIFIED)		DIMENSION STYLE MM ONLY		SCALE ---	DESIGN UNITS METRIC	THIRD ANGLE PROJECTION	
	10 UNDER	±0.2	DRAWN BY HKAWABAT	DATE 2004/05/06	TITLE 0.4 B/B CONN.PLUG ASS'Y (R/A) W/O BOSS -LEAD FREE-			
	10 OVER 30 UNDER	±0.25	CHECKED BY KTOJO	DATE 2004/05/06				
	30 OVER	±0.3	APPROVED BY MSASAO	DATE 2004/05/06	MOLEX INCORPORATED			
	ANGULAR	±3 °	MATERIAL NO. SEE CHART					
DRAFT WHERE APPLICABLE MUST REMAIN WITHIN DIMENSIONS		THIS DRAWING CONTAINS INFORMATION THAT IS PROPRIETARY TO MOLEX INCORPORATED AND SHOULD NOT BE USED WITHOUT WRITTEN PERMISSION						

10 9 8 7 6 5 4 3 2 1

F

F

E

E

D

D

C

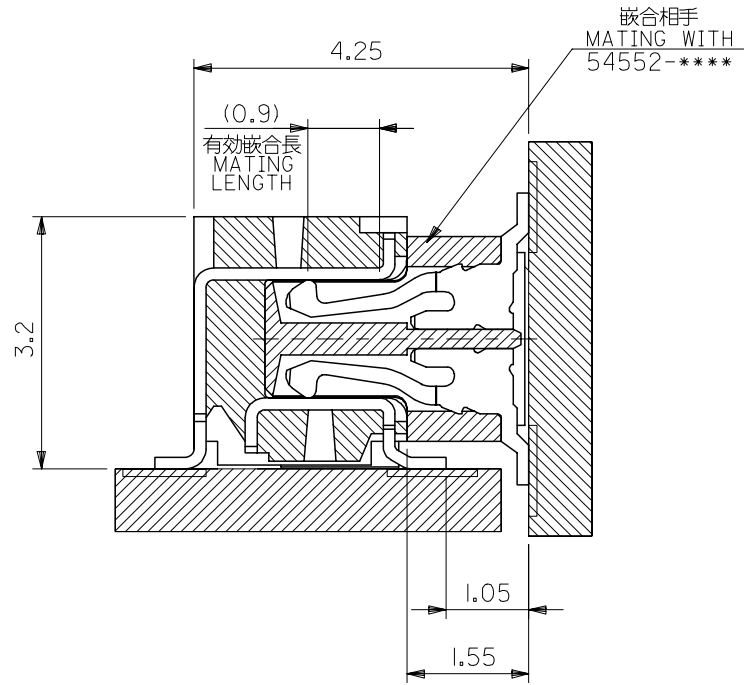
C

B

B

A

A



嵌合断面図 (参考)  
MATED DRAWING (REFERENCE)

MODEL NO. 55394-\*\*\*\*9

REVISED EC NO: J2006-1654 DRW:HYAJIMA 2005/12/27 CHK:D:TANAKA 2006/01/05 APPR:NUKITA 2006/01/10	GENERAL TOLERANCES (UNLESS SPECIFIED)		DIMENSION STYLE MM ONLY		SCALE ---	DESIGN UNITS METRIC	THIRD ANGLE PROJECTION	
	10 UNDER	±0.2	DRAWN BY HKAWABAT	DATE 2004/05/06	TITLE 0.4 B/B CONN.PLUG ASS'Y (R/A) W/O BOSS -LEAD FREE-			
	10 OVER 30 UNDER	±0.25	CHECKED BY KTOJO	DATE 2004/05/06				
	30 OVER	±0.3	APPROVED BY MSASAO	DATE 2004/05/06	MOLEX INCORPORATED			
	ANGULAR	±3 °	MATERIAL NO. SEE CHART					
DRAFT WHERE APPLICABLE MUST REMAIN WITHIN DIMENSIONS		SIZE A3		THIS DRAWING CONTAINS INFORMATION THAT IS PROPRIETARY TO MOLEX INCORPORATED AND SHOULD NOT BE USED WITHOUT WRITTEN PERMISSION				

9

8

7

6

5

4

3

2