

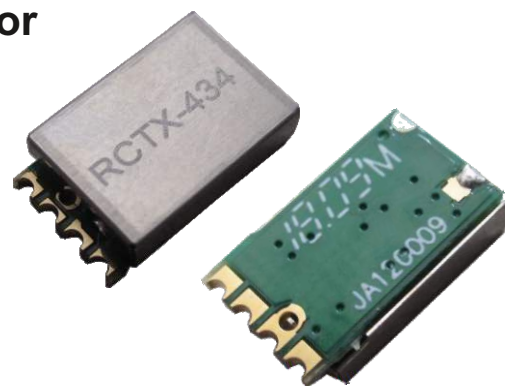
Radio Transmitter module with crystal oscillator 433.92MHz - ASK/OOK Modulation

This is a transmitter module with crystal oscillator, allow to realize a complete Remote Keyless adding a coding circuit.

ASK/OOK Modulation. Metallic shield.

5 Volt version ----> **RCTX-434.**

3 Volt version ----> **RCTX-434-L**



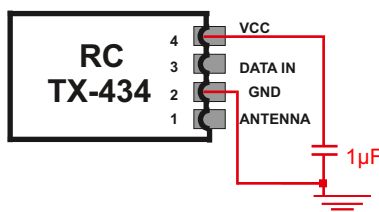
On request is possible to customize the frequency.

Technical Characteristics

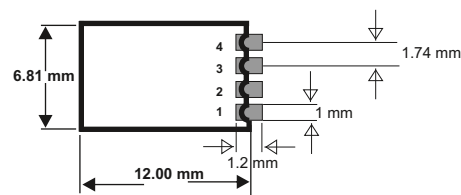
Characteristics	MIN	TYP	MAX	UNIT
V _{cc} Supply Voltage (5 Volt version)	4	5	12	Vdc
V _{cc} Supply Voltage (3 Volt version)	2.2	3	3.6	Vdc
I Supply Current (TX mode)		21		mA
I _s Current Consumption (standby mode)		< 1		µA
P _o RF Power Output		11		dBm
F XTAL Frequency		433.92		MHz
F Frequency Tolerance		+/- 20		KHz
Max Data Rate			50	Kbit/s
Power Up Time			1	ms
T _{OP} Operating Temperature Range	-25		+80	°C

Pin Description

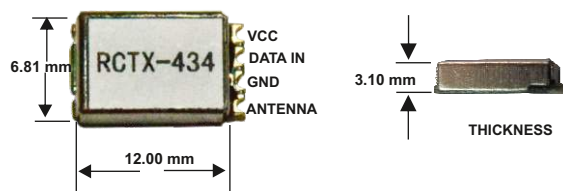
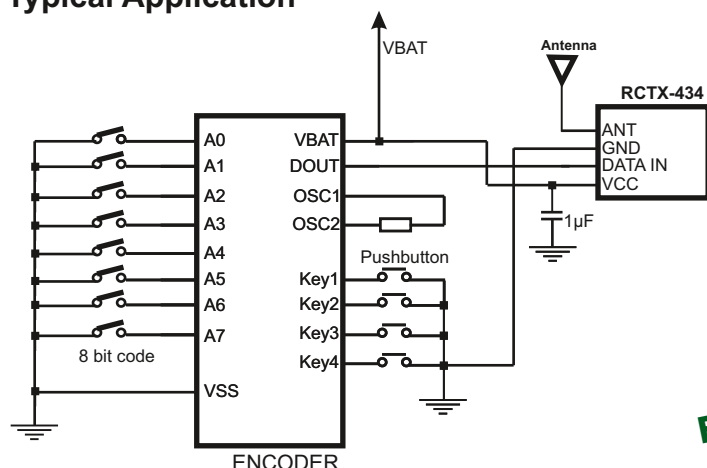
Pads	Name	Description
1	ANT	External Antenna
2	GND	Ground
3	DATA IN	Data Input
4	VCC	Power Supply



Mechanical dimensions



Typical Application



Applications :

- Wireless security systems
- Home and building automation
- Automatic Measure Reading
- Wireless Sensor Network

**ETSI EN 300 220
COMPLIANCE**