



100/1000 Gigabit Base-T Single Port PoE++ LAN Filter AGSC-2436PPI

- PoE++ application with 1000mA maximum per pair
- Max 100W with both pairs combined
- Designed to meet IEEE802.3bt
- Operating Temperature Range: -40°C to +85°C
- Reflow condition: Tp is 260°C / -5°C for 30 sec (Refer to IPC JEDEC J-STD-020 standard)



Electrical Specifications @ 25°C

OCL(μH Min) @100kHz, 0.1V With 24mA DC Bias	OCL(μH Min)/+85°C @100kHz, 0.1V With 24mA DC Bias	Turns Ratio chip: cable (±5%)	LK(μH Max.) @100kHz, 0.1V	Return Loss (dB Min)			
				1-30MHz	50MHz	60-80MHz	100MHz
350	200	1CT:1CT	0.35	-16	-13.1	-10	-8

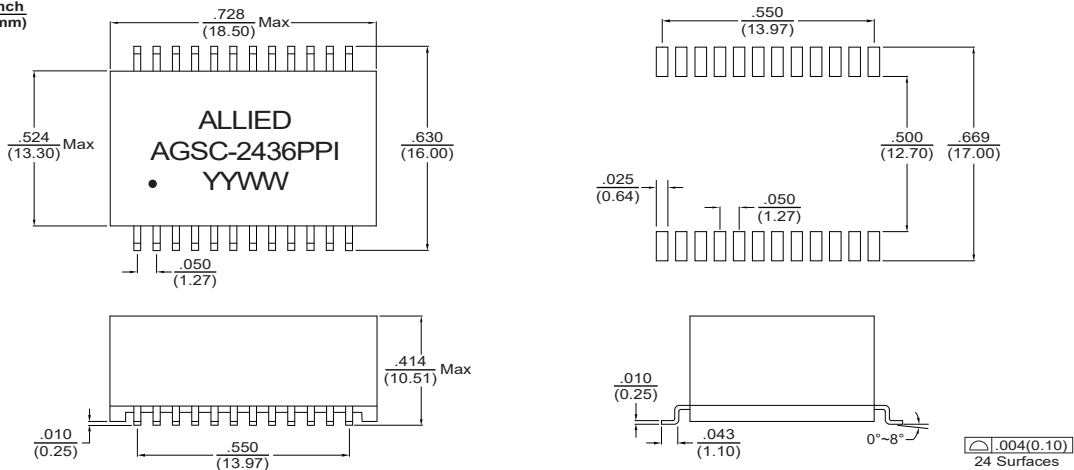
Electrical Specifications @ 25°C

Insertion Loss (dB Max)	Cross Talk (dB Min)			DCMR (dB Min)			HI-POT Isolation (Vrms)	
	0.1-100MHz	30MHz	60MHz	100MHz	30MHz	60MHz		100MHz
-1.5	-40	-35	-30	-30	-40	-35	-30	1500

All specifications subject to change without notice.

MECHANICAL

Dimensions: inch (mm)



SCHEMATICS

Unless otherwise specified, all tolerances are ±0.25(0.010)

