

1-745492-8 ✓ ACTIVE

AMPLIMITE | AMPLIMITE HDE

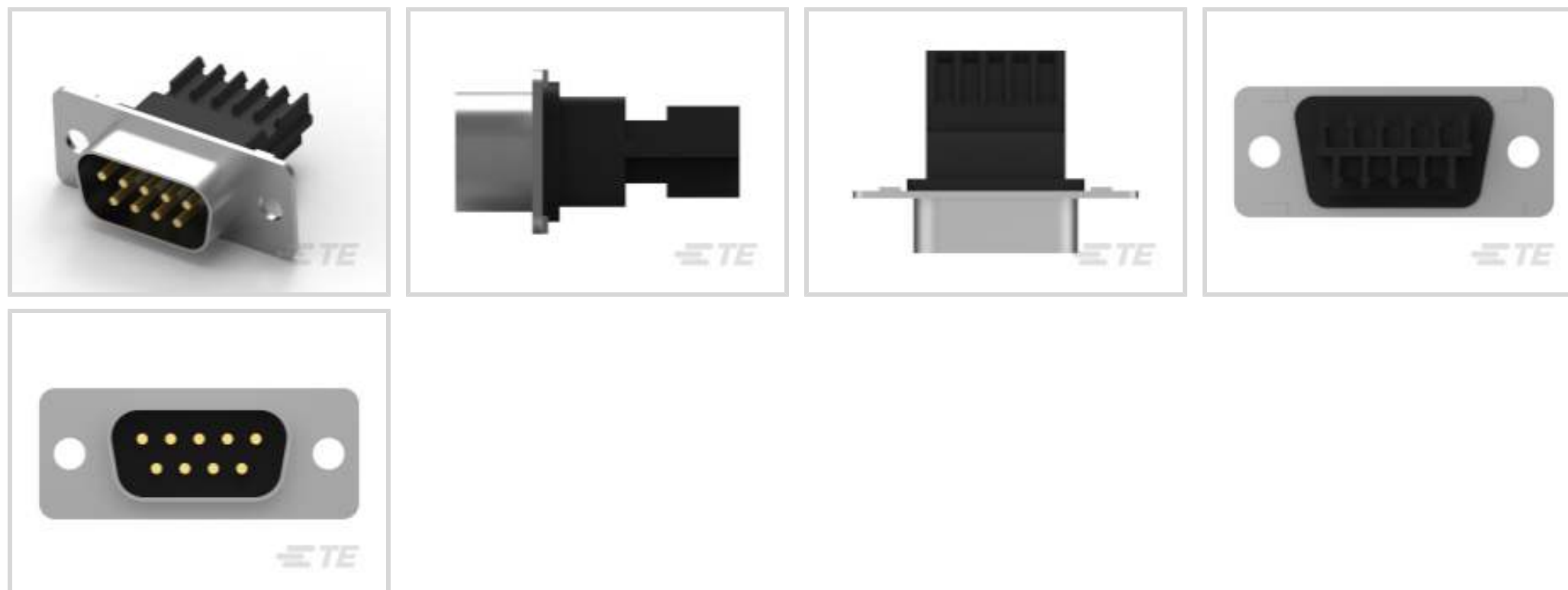
TE Internal #: 1-745492-8

IDC D-Sub Connectors, Plug, 26 – 22 AWG Solid Wire Size, Wire-to-Wire, 9 Position, 2.77 mm [.054 in] Centerline, 2 Row, AMPLIMITE HDE

[View on TE.com >](#)



Connectors > D-Shaped Connectors > D-Sub Connectors > IDC D-Sub Connectors > IDC D-Sub: Plug Assembly, Wire to Wire, Signal, 2.77 mm



Connector & Housing Type: **Plug**

Solid Wire Size: **26 – 22 AWG**

Shielded: **No**

Connector System: **Wire-to-Wire**

Number of Positions: **9**

[All IDC D-Sub: Plug Assembly, Wire to Wire, Signal, 2.77 mm \(21\)](#)

Features

Product Type Features

Shell Material Configuration	Full Metal Shell
Ground Feature Type	Grounding Indents
Connector & Housing Type	Plug
Connector System	Wire-to-Wire
Connector Product Type	Connector Assembly
Connector Shell Size	1
Connector & Contact Terminates To	Wire & Cable

Configuration Features

Number of Positions	9
Number of Rows	2
Compatible With Wire & Cable Type	Discrete Wire, Round Jacketed Cable

Body Features



Insert Material	Thermoplastic
Cable Exit Angle	180°
Shell Plating Material	Tin

Contact Features

Contact Type	Pin
Wire Contact Termination Area Plating Material Finish	Matte
	30 µin
Contact Size	Size 20
Contact Current Rating (Max)	2.4 A

Mechanical Attachment

Mating Retention	With
Mating Retention Type	Mounting Holes
Connector Mounting Type	Cable Mount (Free-Hanging)

Housing Features

Shell Material	Steel
Centerline (Pitch)	2.77 mm [.054 in]

Dimensions

Solid Wire Size	26 – 22 AWG
Wire Size	.15 – .4 mm ²

Usage Conditions

Operating Temperature Range	-55 – 105 °C [-67 – 221 °F]
-----------------------------	-----------------------------

Operation/Application

Shielded	No
Circuit Application	Signal

Industry Standards

UL Flammability Rating	UL 94V-0
------------------------	----------

Packaging Features

Packaging Quantity	140
Packaging Method	Package

Other

D-Shaped Connectors Comment	Connectors can be made available with clinch nuts, contact AMP Incorporated
-----------------------------	---



Product Compliance

[For compliance documentation, visit the product page on TE.com>](#)

EU RoHS Directive 2011/65/EU	Compliant
EU ELV Directive 2000/53/EC	Compliant
China RoHS 2 Directive MIIT Order No 32, 2016	No Restricted Materials Above Threshold
EU REACH Regulation (EC) No. 1907/2006	Current ECHA Candidate List: JUNE 2023 (235) Candidate List Declared Against: JUNE 2023 (235) Does not contain REACH SVHC
Halogen Content	Not Low Halogen - contains Br or Cl > 900 ppm.
Solder Process Capability	Not applicable for solder process capability

Product Compliance Disclaimer

This information is provided based on reasonable inquiry of our suppliers and represents our current actual knowledge based on the information they provided. This information is subject to change. The part numbers that TE has identified as EU RoHS compliant have a maximum concentration of 0.1% by weight in homogenous materials for lead, hexavalent chromium, mercury, PBB, PBDE, DBP, BBP, DEHP, DIBP, and 0.01% for cadmium, or qualify for an exemption to these limits as defined in the Annexes of Directive 2011/65/EU (RoHS2). Finished electrical and electronic equipment products will be CE marked as required by Directive 2011/65/EU. Components may not be CE marked. Additionally, the part numbers that TE has identified as EU ELV compliant have a maximum concentration of 0.1% by weight in homogenous materials for lead, hexavalent chromium, and mercury, and 0.01% for cadmium, or qualify for an exemption to these limits as defined in the Annexes of Directive 2000/53/EC (ELV). Regarding the REACH Regulation, the information TE provides on SVHC in articles for this part number is based on the latest European Chemicals Agency (ECHA) 'Guidance on requirements for substances in articles' posted at this URL: <https://echa.europa.eu/guidance-documents/guidance-on-reach>

Compatible Parts

 <p>TE Part # CAT-AM7-248H6 IDC D-Sub: Receptacle Kit, Wire to Wire, Signal, 2.74 mm</p>	 <p>TE Part # CAT-023-DRARS1274 D-Sub Receptacle Assembly: Right Angle, Shell Size 1, 2.74mm</p>	 <p>TE Part # CAT-AM7-253 IDC D-Sub: Receptacle Assembly, Low Profile, Signal, 2.77 mm</p>	 <p>TE Part # CAT-025-DRAVS1274 D-Sub Receptacle Assembly: Vertical, Shell Size 1, 2.74mm</p>
---	--	---	--



TE Part # CAT-AM7-248H8
IDC D-Sub: Receptacle Assembly, Wire to Wire, Signal, 2.74 mm



TE Part # CAT-026-RAVSAP1274
D-Sub Receptacle Assembly: Vertical, Action Pin, Shell Size 1, 2.74mm



TE Part # CAT-979-DRARE274
D-Sub Receptacle Assembly: Eurostyle, Right Angle, 2.74mm



TE Part # 747516-7
09 HDE PMOLD RCPT, LEAD FREE



TE Part # 58074-1
MTA 50/100/156 MANUAL TOOL FRAME



TE Part # 5748677-1
PLTD PLST CBL CLMP KIT,SZ 1



TE Part # 5745171-5
AMPL CBL CLMP KIT SZ 1



TE Part # 5748676-1
DIE CAST CBL CLMP KIT,SZ 1



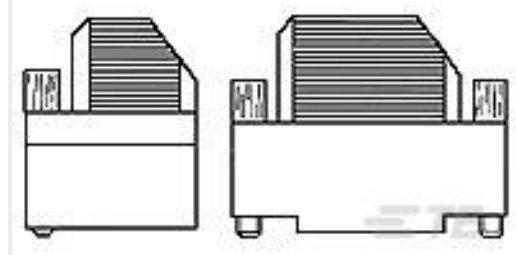
TE Part # 2198617-9
Ni Plated Plastic Backshell, 9 Way, Str



TE Part # 5745183-1
09 RCPT SP/MS STD



TE Part # 5745854-1
CABLE CLAMP KIT,SZ 1



TE Part # 1393738-2
V42254A6000G115=SUB D GEHAEUSE



TE Part # 3-1393483-8
V42254A1115B209=SUB D FEDERLEI



TE Part # 5745183-3
09 RCPT SP/MS STD



TE Part # 5745854-5
CABLE CLAMP KIT,SZ 1




TE Part # 2-1393480-8
V23529B1122B209=SUB D FEDERLEI

Also in the Series | **AMPLIMITE HDE**




Crimp D-Sub Connectors(1)



D-Sub Connector Contacts(13)



IDC D-Sub Connectors(75)



Insertion & Extraction Tools(2)

Customers Also Bought



TE Part #1-745491-8
IDC D-Sub: Receptacle Assembly,
Wire to Wire, Signal, 2.74 mm



TE Part #3-641216-4
PCB Header: Polyester, Right Angle,
Unshrouded



TE Part #5227222-1
VERT JK W/MTG PINS, BNC PCB



TE Part #745530-1
9 POS COVER KIT



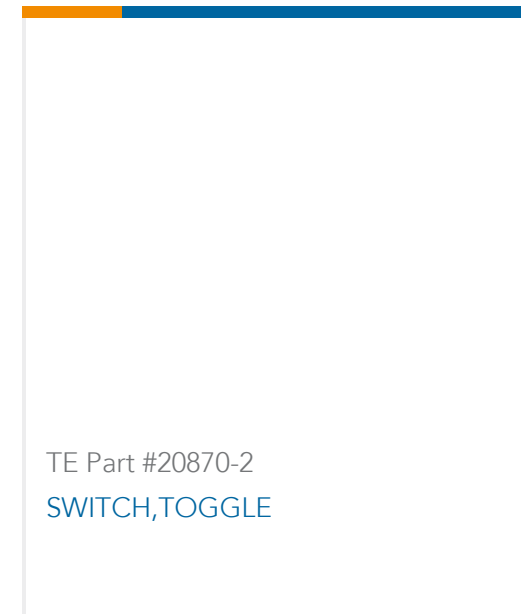
TE Part #5103311-5
A/L LOW PRO HDR 20P RA BLACK



TE Part #2213783-1
NECTOR M 5,6,7 MOLDED DE-
LATCH TOOL



TE Part #1466288-1
031-0050-0001



TE Part #20870-2
SWITCH, TOGGLE

Documents

Product Drawings

[09 HDE MS PLUG,22-26,LEAD FREE](#)

English

CAD Files

Customer View Model

[ENG_CVM_1-745492-8_R.2d_dxf.zip](#)

English

Customer View Model

[ENG_CVM_1-745492-8_R.3d_igs.zip](#)

English

Customer View Model

[ENG_CVM_1-745492-8_R.3d_stp.zip](#)

English

3D PDF

English

By downloading the CAD file I accept and agree to the [Terms and Conditions](#) of use.

Datasheets & Catalog Pages

[AMPLIMITE Subminiature D Connectors - Cable Connectors](#)

English

[AMPLIMITE Cable Connectors and Shielding Hardware Kits QRG](#)

English

Product Specifications

[Application Specification](#)

English



Product Environmental Compliance

[MD_1-745492-8_0304201745_dmtec](#)

English

[MD_1-745492-8_0304201745_dmtec](#)

English

Instruction Sheets

[Instruction Sheet \(U.S.\)](#)

English

Agency Approvals

[UL Report](#)

English