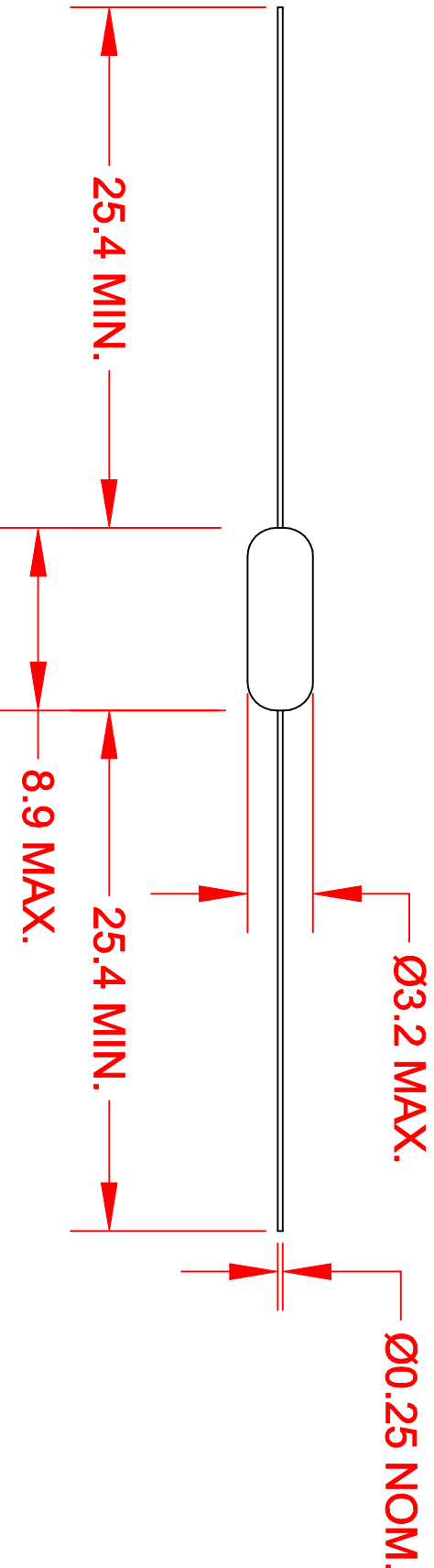


REV.	DESCRIPTION/ECO NO.	DATE
	RELEASED	10/11/00



JKL LAMP NUMBER	VOLTS RATED	AMPS ±10%	MSCP ±25%	LUMENS ±25%	AVERAGE LIFE HRS.	FILAMENT TYPE
6834	5.0	.060	.050	0.63	100,000	C-8
7134	5.0	.075	.090	1.13	25,000	C-8
7154	5.0	.115	.150	1.89	40,000	C-8

METRIC THIRD ANGLE PROJECTION		DIMENSIONS ARE IN MILLIMETERS TOLERANCE UNLESS OTHERWISE SPECIFIED 1 PL +/- 0.2 2 PL +/- 0.20 ANGLE +/- 0		<b>JKL COMPONENTS CORPORATION</b>	
DRAWN BY L. WENGSTROM		APP'VD BY Q.C.		DATE 10/11/00	
TITLE T-1 STANDARD AXIAL LEAD LAMP		SIZE A		FROM NO. 55335	
SCALE NONE		DRAWING NO. AXIAL STANDARD T-1		RELEASED DATE 10/11/00	
- CAD DRAWING - MANUAL REVISIONS NOT PERMITTED		REVISION DATE		REV. NO. 1 OF 1	