



Polymer Chip Capacitor

TOPcap – Basic

Series/Type: B760

Date: June 2005
Version: 1



© EPCOS AG 2005. Reproduction, publication and dissemination of this data sheet, enclosures hereto and the information contained therein without EPCOS' prior express consent is prohibited.

KO T PM

2005-06-01

Please read the important notes,
cautions and warnings.

Page 1 of 6



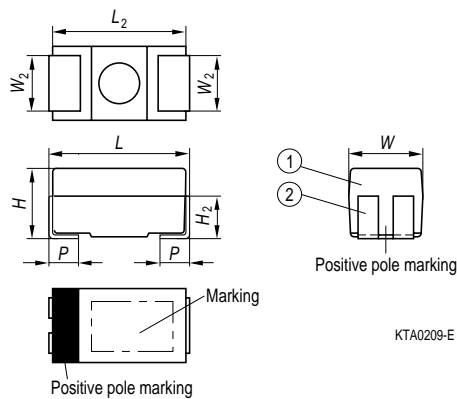
The following applies to all products named in this publication:

1. Some parts of this publication contain **statements about the suitability of our products for certain areas of application**. These statements are based on our knowledge of typical requirements that are often placed on our products in the areas of application concerned. We nevertheless expressly point out **that such statements cannot be regarded as binding statements about the suitability of our products for a particular customer application**. As a rule, EPCOS is either unfamiliar with individual customer applications or less familiar with them than the customers themselves. For these reasons, it is always ultimately incumbent on the customer to check and decide whether an EPCOS product with the properties described in the product specification is suitable for use in a particular customer application.
2. We also point out that **in individual cases, a malfunction of passive electronic components or failure before the end of their usual service life cannot be completely ruled out in the current state of the art, even if they are operated as specified**. In customer applications requiring a very high level of operational safety and especially in customer applications in which the malfunction or failure of a passive electronic component could endanger human life or health (e.g. in accident prevention or life-saving systems), it must therefore be ensured by means of suitable design of the customer application or other action taken by the customer (e.g. installation of protective circuitry or redundancy) that no injury or damage is sustained by third parties in the event of malfunction or failure of a passive electronic component.
3. **The warnings, cautions and product-specific notes must be observed.**
4. In order to satisfy certain technical requirements, **some of the products described in this publication may contain substances subject to restrictions in certain jurisdictions (e.g. because they are classed as "hazardous")**. Useful information on this will be found in our Material Data Sheets on the Internet (www.epcos.com/material). Should you have any more detailed questions, please contact our sales offices.
5. We constantly strive to improve our products. Consequently, **the products described in this publication may change from time to time**. The same is true of the corresponding product specifications. Please check therefore to what extent product descriptions and specifications contained in this publication are still applicable before or when you place an order.

We also **reserve the right to discontinue production and delivery of products**. Consequently, we cannot guarantee that all products named in this publication will always be available.
6. Unless otherwise agreed in individual contracts, **all orders are subject to the current version of the "General Terms of Delivery for Products and Services in the Electrical Industry" published by the German Electrical and Electronics Industry Association (ZVEI)**.
7. The trade names EPCOS, CeraDiode, CSSP, PhaseCap, PhaseMod, SIFI, SIKOREL, SilverCap, SIMID, SIOV, SIP5D, SIP5K, TOPcap, UltraCap, WindCap are **trademarks registered or pending** in Europe and in other countries. Further information will be found on the Internet at www.epcos.com/trademarks.

Features

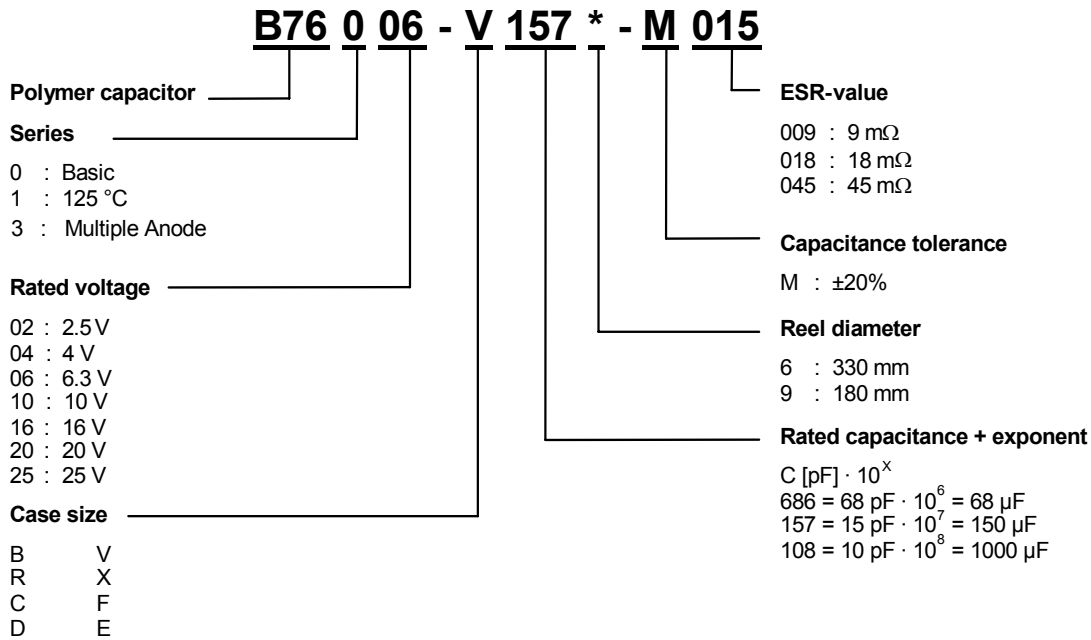
- Ultra-low ESR: $ESR_{max} = 12 \text{ m}\Omega \dots 80 \text{ m}\Omega$
- Ripple current up to $3.9 \text{ A}_{RMS} @ 20 \text{ }^\circ\text{C}, 100 \text{ kHz}$
- Operating voltage $2.5 \text{ V} \dots 16 \text{ V}$
- Capacitance $33 \text{ }\mu\text{F} \dots 680 \text{ }\mu\text{F} (\pm 20\%)$
- Lead-free & RoHS-compatible
- Temperature range: $-55 \text{ }^\circ\text{C} \dots 105 \text{ }^\circ\text{C}$
- No ignition failure mode
- 100% surge current tested

Dimensional drawing


- ① Encapsulation: molded epoxy resin
- ② NiFe; tinned surface Sn100

Case size		Dimensions in mm (inches)						
EPCOS	EIA/IECQ	L	W	H	L ₂ typ.	W ₂ ± 0.1 ± (.004)	H ₂ typ.	P ± 0.3 ± (.012)
B	3528-20	3.5 ± 0.2 (.138 ± 0.008)	2.8 ± 0.2 (.110 ± 0.008)	1.9 ± 0.1 (.075 ± 0,004)	3.3 (.130)	2.2 (.087)	1.0 (.039)	0.8 (.031)
R	3528-12	3.5 ± 0.2 (.138 ± 0.008)	2.8 ± 0.2 (.110 ± 0.008)	1.1 ± 0.1 (.043 ± 0,004)	3.3 (.130)	2.2 (.087)	1.2 (.047)	0.8 (.031)
C	6032-28	6.0 ± 0.3 (.236 ± 0.012)	3.2 ± 0.3 (.126 ± 0.012)	2.5 ± 0.3 (.098 ± 0,012)	5.8 (.228)	2.2 (.087)	1.5 (.059)	1.3 (.051)
X	7343-15	7.3 ± 0.3 (.287 ± 0.012)	4.3 ± 0.3 (.169 ± 0.012)	1.4 ± 0.1 (.055 ± 0,004)	7.1 (.280)	2.4 (.094)	1.6 (.062)	1.3 (.051)
V	7343-20	7.3 ± 0.3 (.287 ± 0.012)	4.3 ± 0.3 (.169 ± 0.012)	1.9 ± 0.1 (.075 ± 0,004)	7.1 (.280)	2.4 (.094)	1.2 (.047)	1.3 (.051)
D	7343-31	7.3 ± 0.3 (.287 ± 0.012)	4.3 ± 0.3 (.169 ± 0.012)	2.8 ± 0.3 (.110 ± .012)	7.1 (.280)	2.4 (.094)	1.6 (.062)	1.3 (.051)
E	7343-43	7.3 ± 0.3 (.287 ± 0.012)	4.3 ± 0.3 (.169 ± 0.012)	4.0 ± 0.3 (.157 ± .012)	7.1 (.280)	2.4 (.094)	1.6 (.062)	1.3 (.051)
F	7343-40	7.3 ± 0.3 (.287 ± 0.012)	4.3 ± 0.3 (.169 ± 0.012)	3.8 ± 0.2 (.150 ± .008)	7.1 (.280)	2.4 (.094)	1.6 (.062)	1.3 (.051)

Ordering code structure



Part number reference

Rated voltage V _R up to 85 °C (up to 105 °C)	Rated capacitance C _R	Case size	EIA code	DF _{max} (20 °C, 120 Hz)	Leakage current I _{leak, max} (20 °C, V _R , 5 min)	ESR _{max} ¹⁾ (20 °C, 100 kHz)	Ripple current			Ordering code
							I _{ACmax} (100 kHz)	A _{RMS}		
VDC	μF			%	μA	mΩ	20 °C	85 °C	105 °C	
2,5 (2.0)	150	B	3528-20	10	38	70	1.1	1.0	0.4	B76002B1579M070
	220	B	3528-20	8	55	35	1.6	1.4	0.6	B76002B2279M035
	220	D	7343-31	10	55	45	1.8	1.6	0.7	B76002D2279M045
	220	D	7343-31	10	55	55	1.7	1.5	0.7	B76002D2279M055
	220	V	7343-20	10	55	15	3.1	2.8	1.2	B76002V2279M015
	220	V	7343-20	10	55	18	2.8	2.5	1.1	B76002V2279M018
	220	V	7343-20	10	55	25	2.4	2.1	1.0	B76002V2279M025
	220	V	7343-20	10	55	35	1.9	1.7	0.8	B76002V2279M035
	220	V	7343-20	10	55	45	1.7	1.5	0.7	B76002V2279M045
	330	D	7343-31	10	83	40	1.9	1.7	0.8	B76002D3379M040
	330	V	7343-20	10	83	12	3.4	3.1	1.4	B76002V3379M012
	330	V	7343-20	10	83	15	3.1	2.8	1.2	B76002V3379M015
	330	V	7343-20	10	83	18	2.8	2.5	1.1	B76002V3379M018
	330	V	7343-20	10	83	25	2.4	2.1	1.0	B76002V3379M025
330	V	7343-20	10	83	35	2.0	1.8	0.8	B76002V3379M035	
330	V	7343-20	10	83	40	1.8	1.6	0.7	B76002V3379M040	
470	D	7343-31	10	118	40	2.0	1.8	0.8	B76002D4779M040	
470	V	7343-20	10	118	18	2.8	2.5	1.1	B76002V4779M018	
4 (3.2)	100	B	3528-20	8	40	70	1.1	1.0	0.4	B76004B1079M070
	100	B	3528-20	8	40	35	1.6	1.4	0.6	B76004B1079M035
	150	B	3528-20	8	60	35	1.6	1.4	0.6	B76004B1579M035

Upon request



Polymer chip capacitors

B760

TOPcap - Basic

Rated voltage V_R up to 85 °C (up to 105 °C)	Rated capacitance C_R	Case size	EIA code	DF _{max} (20 °C, 120 Hz)	Leakage current $I_{leak, max}$ (20 °C, V_R , 5 min)	ESR _{max} ¹⁾ (20 °C, 100 kHz)	Ripple current			Ordering code
							I_{ACmax} (100 kHz)	A_{RMS}		
VDC	μF			%	μA	mΩ	20 °C	85 °C	105 °C	
4 (3.2)	150	B	3528-20	8	60	70	1.1	1.0	0.4	B76004B1579M070
	220	D	7343-31	10	88	45	1.8	1.6	0.7	B76004D2279M045
	220	D	7343-31	10	88	55	1.7	1.5	0.7	B76004D2279M055
	220	V	7343-20	10	88	15	3.1	2.8	1.2	B76004V2279M015
	220	V	7343-20	10	88	18	2.8	2.5	1.1	B76004V2279M018
	220	V	7343-20	10	88	25	2.4	2.1	1.0	B76004V2279M025
	220	V	7343-20	10	88	35	1.9	1.7	0.8	B76004V2279M035
	220	V	7343-20	10	88	45	1.7	1.5	0.7	B76004V2279M045
	220	V	7343-20	10	88	40	1.9	1.7	0.8	B76004V2279M040
	330	D	7343-31	10	132	40	2.0	1.8	0.8	B76004D3379M040
	330	D	7343-31	10	132	50	1.7	1.6	0.7	B76004D3379M050
	330	E	7343-43	10	132	35	2.2	2.0	0.9	B76004E3379M035
	330	E	7343-43	10	132	40	2.0	1.8	0.8	B76004E3379M040
	330	V	7343-20	10	132	35	1.9	1.7	0.8	B76004V3379M035
	470	D	7343-31	10	188	40	1.9	1.7	0.8	B76004D4779M040
	470	D	7343-31	10	188	55	1.7	1.5	0.7	B76004D4779M055
	470	D	7343-31	10	188	60	1.6	1.4	0.6	B76004D4779M060
470	F	7343-40	10	188	40	2.0	1.8	0.8	B76004F4779M040	
680	E	7343-43	10	272	40	2.0	1.8	0.8	B76004E6879M040	
6.3 (5.0)	33	B	3528-20	8	21	70	1.1	1.0	0.4	B76006B3369M070
	47	B	3528-20	8	30	70	1.1	1.0	0.4	B76006B4769M070
	47	B	3528-20	10	30	45	1.4	1.2	0.6	B76006B4769M045
	47	B	3528-20	8	30	35	1.6	1.4	0.6	B76006B4769M035
	100	B	3528-20	8	63	35	1.6	1.4	0.6	B76006B1079M035
	100	B	3528-20	8	63	45	1.4	1.2	0.6	B76006B1079M045
	100	B	3528-20	8	63	55	1.2	1.1	0.5	B76006B1079M055
	100	B	3528-20	8	63	70	1.1	1.0	0.4	B76006B1079M070
	100	D	7343-31	10	63	45	1.8	1.6	0.7	B76006D1079M045
	100	V	7343-20	10	63	35	1.9	1.7	0.8	B76006V1079M035
	100	V	7343-20	10	63	45	1.7	1.5	0.7	B76006V1079M045
	150	C	6032-28	8	95	25	2.4	2.1	1.0	B76006C1579M025
	150	C	6032-28	8	95	45	1.7	1.5	0.7	B76006C1579M045
	150	C	6032-28	10	95	70	1.3	1.1	0.5	B76006C1579M070
	150	D	7343-31	10	95	45	1.8	1.6	0.7	B76006D1579M045
	150	D	7343-31	8	95	55	1.9	1.7	0.7	B76006D1579M055
	150	V	7343-20	10	95	15	2.9	2.6	1.2	B76006V1579M015
	150	V	7343-20	10	95	18	2.8	2.5	1.1	B76006V1579M018
	150	V	7343-20	10	95	25	2.4	2.1	1.0	B76006V1579M025
	150	V	7343-20	10	95	35	1.9	1.7	0.8	B76006V1579M035
	150	V	7343-20	10	95	40	1.9	1.7	0.8	B76006V1579M040
	150	V	7343-20	10	95	45	1.7	1.5	0.7	B76006V1579M045
	150	V	7343-20	10	95	80	1.3	1.1	0.5	B76006V1579M080
	150	X	7343-15	10	95	50	1.5	1.3	0.6	B76006X1579M050
	150	X	7343-15	10	95	40	1.7	1.5	0.7	B76006X1579M040
	220	D	7343-31	10	139	40	2.0	1.8	0.8	B76006D2279M040
	220	D	7343-31	10	139	50	1.7	1.6	0.7	B76006D2279M050
	220	D	7343-31	10	139	45	1.8	1.6	0.7	B76006D2279M045
	220	V	7343-20	10	139	25	2.4	2.1	1.0	B76006V2279M025
	220	V	7343-20	10	139	35	1.9	1.7	0.8	B76006V2279M035

■ Upon request



Polymer chip capacitors

B760

TOPcap - Basic

Rated voltage V_R up to 85 °C (up to 105 °C) VDC	Rated capacitance C_R μF	Case size	EIA code	DF_{max} (20 °C, 120 Hz) %	Leakage current $I_{\text{leak, max}}$ (20 °C, V_R , 5 min) μA	$ESR_{\text{max}}^{(1)}$ (20 °C, 100 kHz) $\text{m}\Omega$	Ripple current			Ordering code
							I_{ACmax} (100 kHz) A_{RMS}	20 °C	85 °C	
6.3 (5.0)	220	V	7343-20	10	139	40	1.8	1.6	0.7	B76006V2279M040
	220	V	7343-20	10	139	45	1.7	1.5	0.7	B76006V2279M045
	330	D	7343-31	10	208	25	2.5	2.2	1.0	B76006D3379M025
	330	D	7343-31	10	208	40	2.0	1.8	0.8	B76006D3379M040
	330	D	7343-31	10	208	45	1.8	1.6	0.7	B76006D3379M045
	330	E	7343-43	10	208	35	2.2	2.0	0.9	B76006E3379M035
	330	E	7343-43	10	208	40	2.0	1.8	0.8	B76006E3379M040
	330	V	7343-20	10	208	25	2.2	2.0	0.9	B76006V3379M025
	330	V	7343-20	10	208	45	1.7	1.5	0.7	B76006V3379M045
	470	E	7343-43	10	296	35	2.2	2.0	0.9	B76006E4779M035
470	E	7343-43	10	296	40	2.0	1.8	0.8	B76006E4779M040	
150	D	7343-31	10	95	80	1.4	1.2	0.6	B76006D1579M080	
10 (8.0)	47	B	3528-20	8	47	70	1.1	1.0	0.4	B76010B4769M070
	68	V	7343-20	10	68	45	1.7	1.5	0.7	B76010V6869M045
	68	V	7343-20	10	68	60	1.4	1.3	0.6	B76010V6869M060
	100	D	7343-31	10	100	55	1.9	1.7	0.7	B76010D1079M055
	100	D	7343-31	10	100	80	1.4	1.2	0.6	B76010D1079M080
	100	V	7343-20	10	100	80	1.3	1.1	0.5	B76010V1079M080
	100	X	7343-15	10	100	70	1.3	1.1	0.5	B76010X1079M070
	150	D	7343-31	10	150	40	2.0	1.8	0.8	B76010D1579M040
	150	D	7343-31	10	150	50	1.7	1.6	0.7	B76010D1579M050
	150	D	7343-31	10	150	55	1.7	1.5	0.7	B76010D1579M055
	220	D	7343-31	10	220	40	2.0	1.8	0.8	B76010D2279M040
	220	D	7343-31	10	220	55	1.7	1.5	0.7	B76010D2279M055
	220	E	7343-43	10	220	40	2.0	1.8	0.8	B76010E2279M040
220	F	7343-40	10	220	40	2.0	1.8	0.8	B76010F2279M040	
330	E	7343-43	10	330	40	2.0	1.8	0.8	B76010E3379M040	
16 (12.8)	47	V	7343-20	10	75	70	1.3	1.2	0.5	B76016V4769M070

Upon request