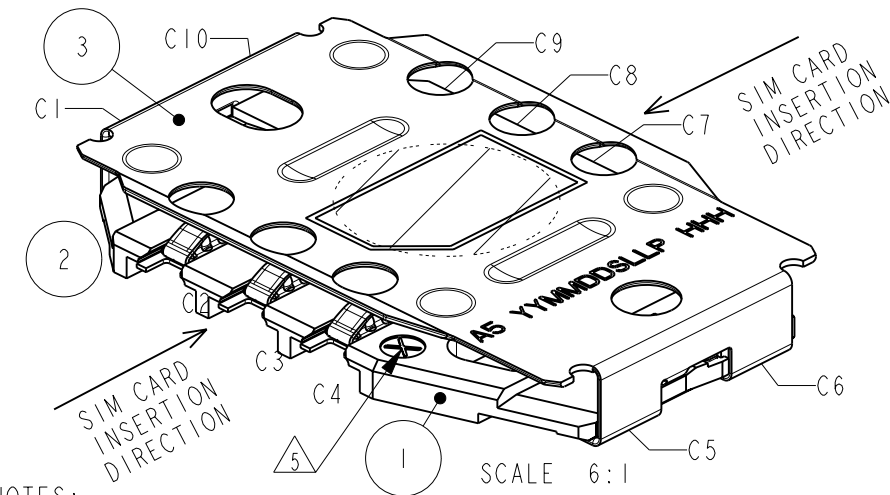
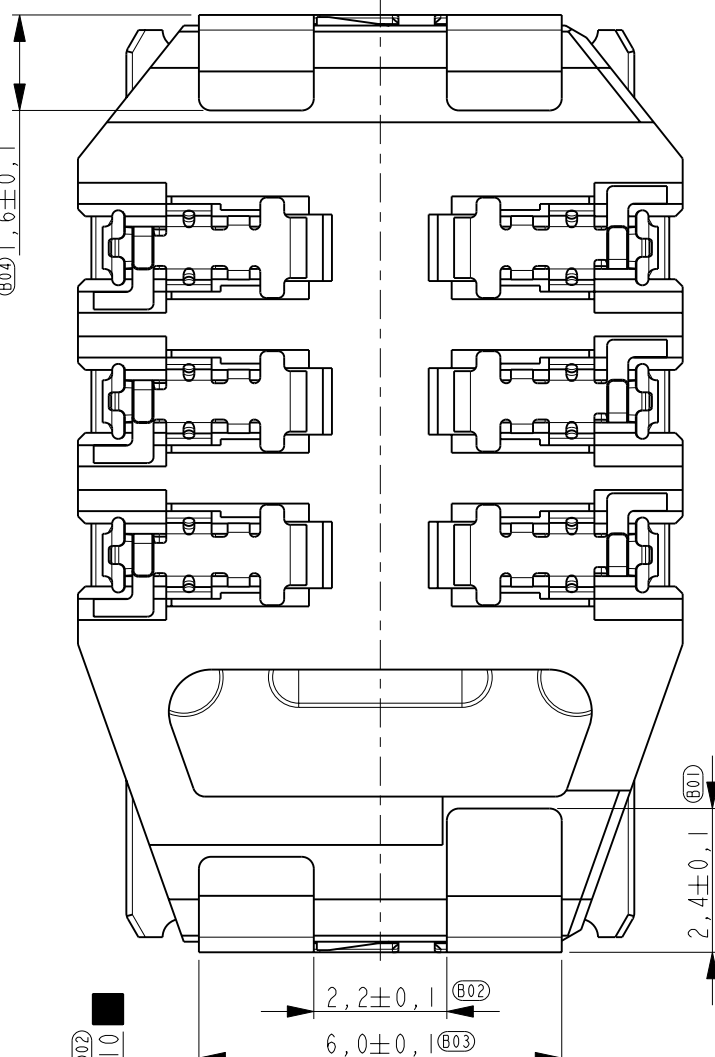
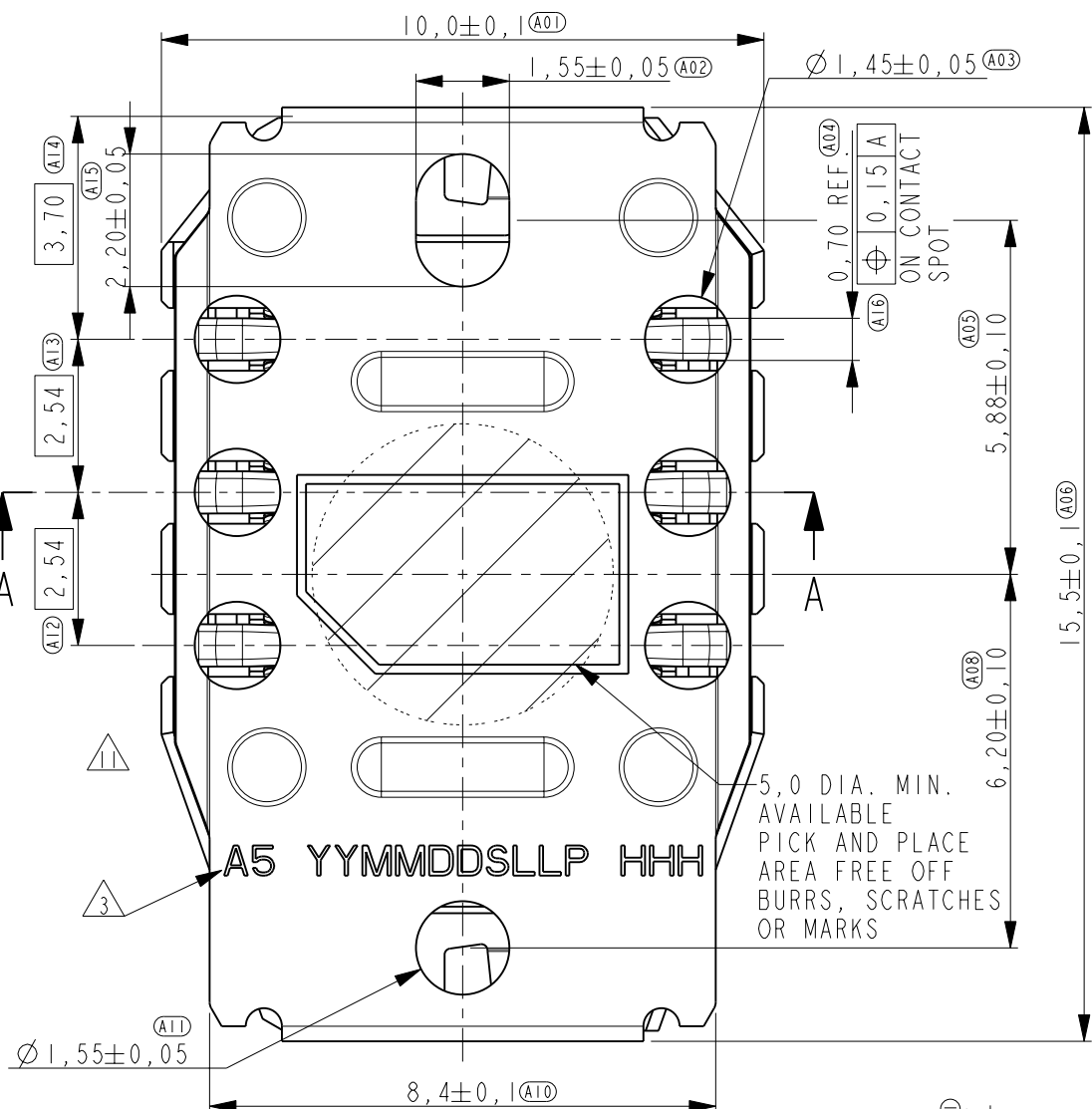


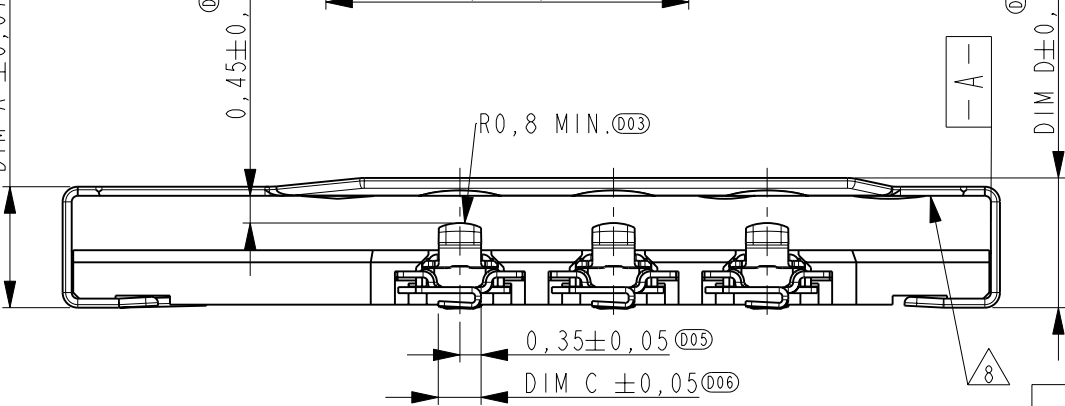
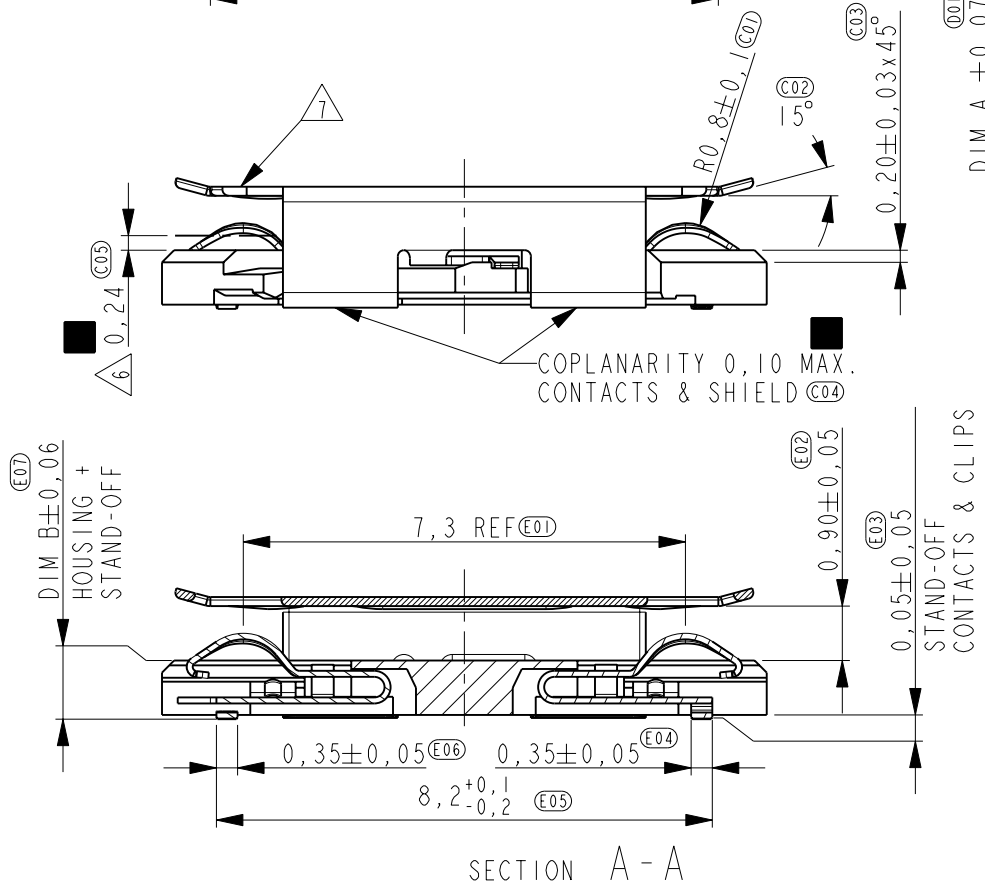
THIS DRAWING IS UNPUBLISHED. RELEASED FOR PUBLICATION
 © COPYRIGHT - BY TYCO ELECTRONICS CORPORATION. ALL RIGHTS RESERVED.

LOC	DIST	REVISIONS			
P	LTR	DESCRIPTION	DATE	DWN	APVD
H	-	ECR-10-009766	07MAY2010	JvH	DH



- NOTES:
- CONTACT PLATING:
 1,2µm MIN. NICKEL UNDERLAYER.
 CARD SIDE: 0,1µm MIN. GOLD OVER 0,3µm MIN. PdNi
 SOLDER SIDE 3,0µm MIN. Sn
 - SHIELD PLATING:
 1,2µm MIN. NICKEL UNDERLAYER.
 SOLDER SIDE: 3,0µm MIN. Sn (AT BOTTOM AND SIDE)
 - VERSION: "A5", PRODUCTION DATE: YMMDD, SHIFT CODE: S,
 PRODUCTION LINE NO: LL, LOCATION CODE: P (S=SHANGHAI,
 B=BANGALORE), HEIGHT CODE: HHH.
 - FOR PCB LAYOUT SEE SHEET 3.
 - MOULD CAVITY MARKING
 - CONTACT FORCE 0,2N MIN. WHEN COMPRESSED TO THIS HEIGHT
 CONTACT FORCE 0,9N MAX. AT MAX. DEFLECTION
 - STAMPING DIRECTION
 - BURR DIRECTION, CHAMFERED EDGE AT SOLDER SIDE AND SIM
 CARD INSERTION.
 - CONTACTS LUBRICATED WITH BARRIER LUBRICANT COATING.
 - = CRITICAL DIMENSION WHICH EFFECTS FORM FIT & FUNCTION
 - △ SIM CARD LOGO LASERMARKED.

ITEM NO.	DESCRIPTION	MATERIAL	FINISH
3	SHIELD	STAINLESS STEEL, t=0,15mm	SEE NOTES
2	CONTACT	CuSn6, t=0,10mm	SEE NOTES
1	HOUSING	GF LIQUID CRYSTAL POLYMER	COLOUR BLACK



THIS DRAWING IS A CONTROLLED DOCUMENT FOR TYCO ELECTRONICS CORPORATION
 IT IS SUBJECT TO CHANGE AND THE CONTROLLING ENGINEERING ORGANIZATION
 SHOULD BE CONTACTED FOR THE LATEST REVISION.

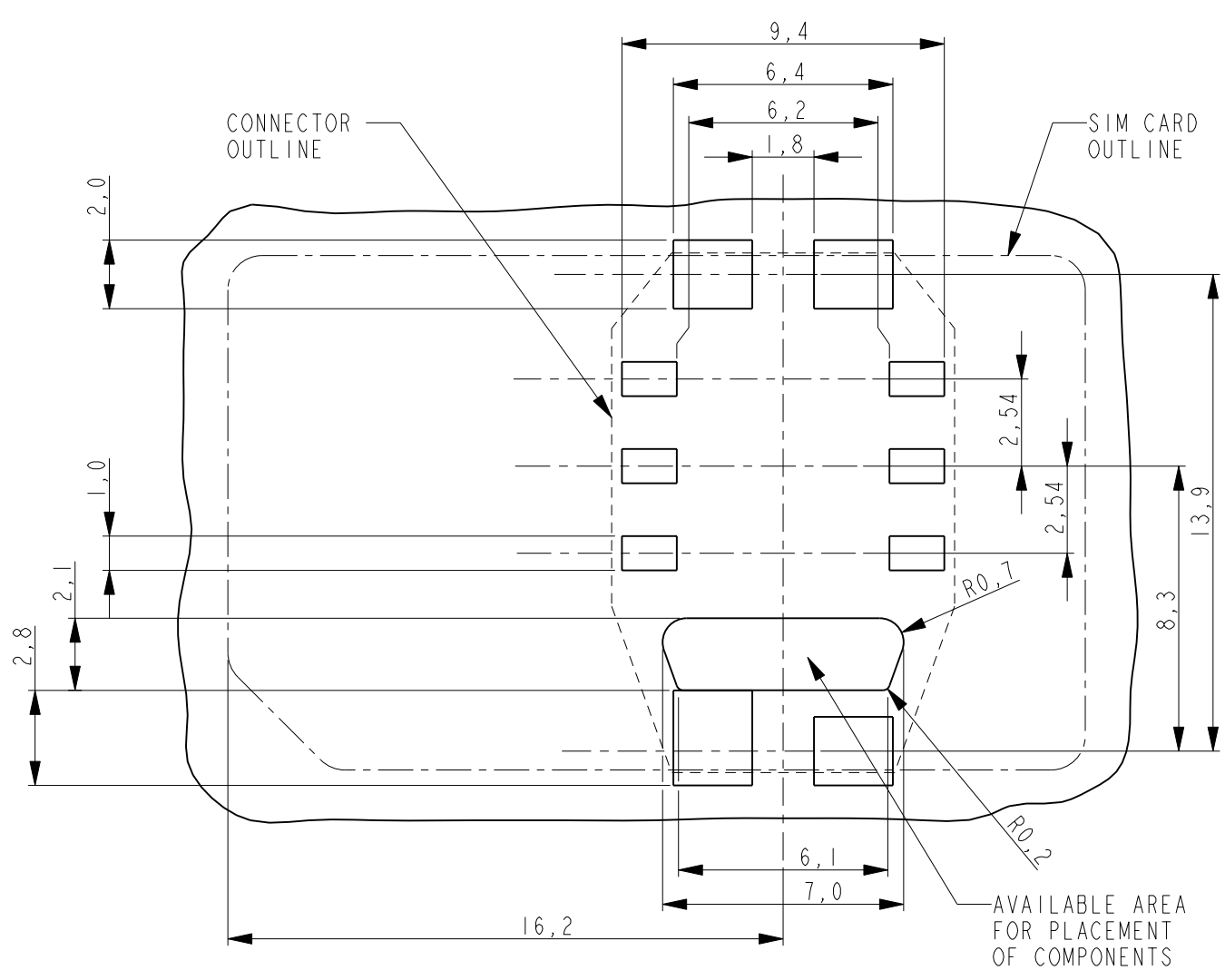
DIMENSIONS:	TOLERANCES UNLESS OTHERWISE SPECIFIED:
mm	0 PLC ±
	1 PLC ±0,2
	2 PLC ±0,1
	3 PLC ±
	4 PLC ±
	ANGLES ±2°
MATERIAL	FINISH
see notes	see notes

DWN	26JUN2008
W. Jansen	
CHK	26JUN2008
W. Jansen	
APVD	26JUN2008
D. Halberstadt	
PRODUCT SPEC	108-19368
APPLICATION SPEC	-
WEIGHT	see table.[gram]

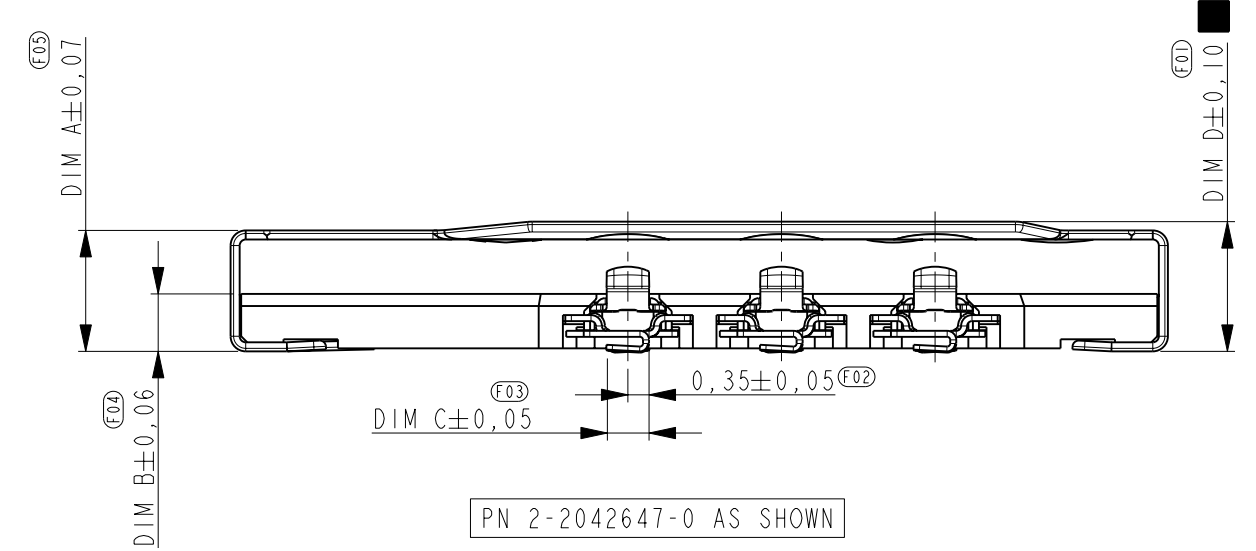
		TYCO ELECTRONICS NEDERLAND B.V. 's-HERTOGENBOSCH, THE NETHERLANDS	
NAME SCALABLE SHIELDED SIM 6 positions			
SIZE	CAGE CODE	DRAWING NO	RESTRICTED TO
A3	00779	C-2042647	-
CUSTOMER DRAWING		SCALE	SHEET
		8:1	1 OF 3
			REV C

THIS DRAWING IS UNPUBLISHED. RELEASED FOR PUBLICATION
 © COPYRIGHT - BY TYCO ELECTRONICS CORPORATION. ALL RIGHTS RESERVED.

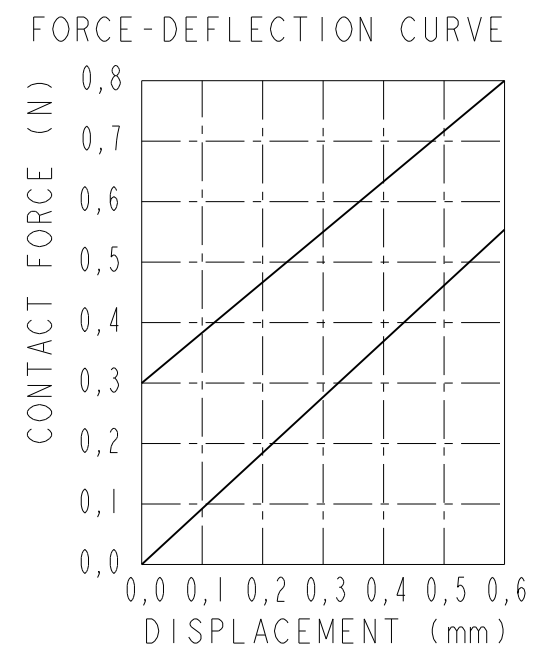
LOC	DIST	REVISIONS					
H	-	P	LTR	DESCRIPTION	DATE	DWN	APVD
				SEE SHEET 1			



RECOMMENDED PCB LAYOUT (REF.)
SCALE 5:1



PN 2-2042647-0 AS SHOWN



PARTNUMBER	WEIGHT	DIM A	DIM B	DIM C	DIM D
2-2042647-5		2,50	1,45	0,51	2,65
2-2042647-4		2,40	1,35	0,61	2,55
2-2042647-3		2,30	1,25	0,71	2,45
2-2042647-2		2,20	1,15	0,51	2,35
2-2042647-1		2,10	1,05	0,61	2,25
2-2042647-0	0,36	2,00	0,95	0,71	2,15

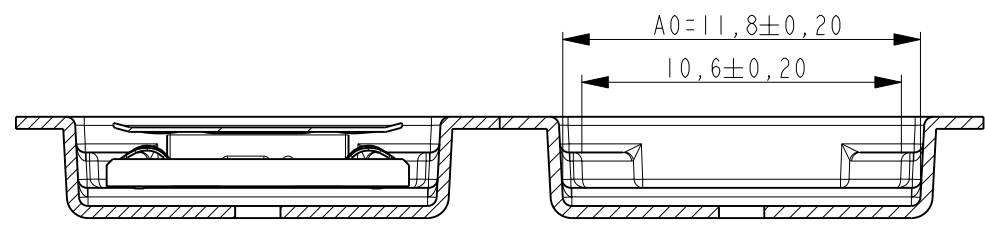
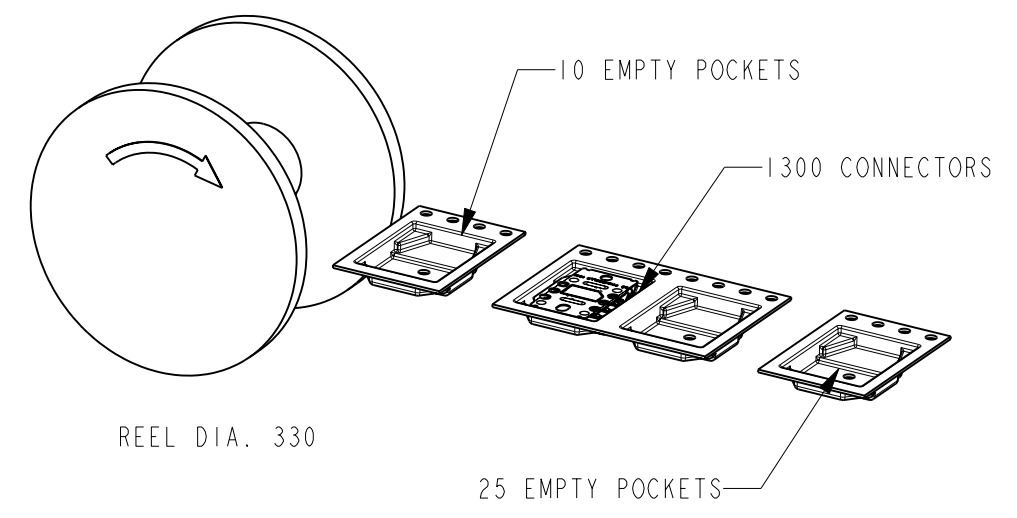
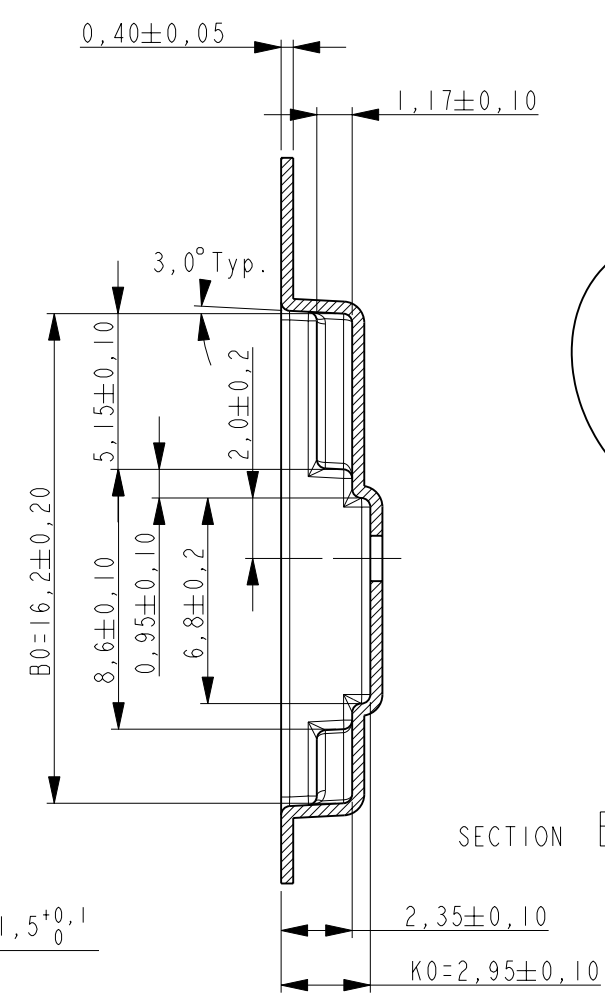
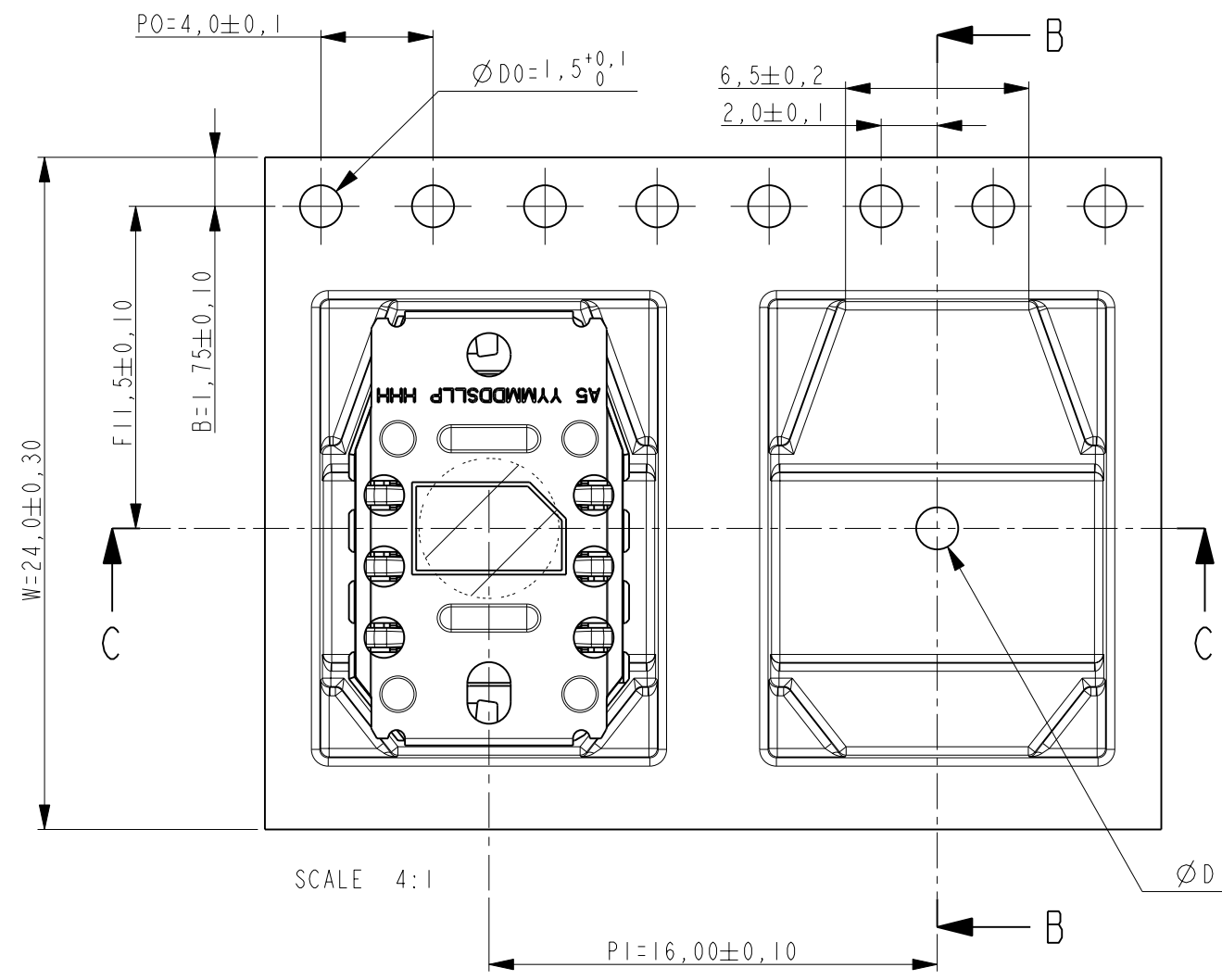
THIS DRAWING IS A CONTROLLED DOCUMENT FOR TYCO ELECTRONICS CORPORATION. IT IS SUBJECT TO CHANGE AND THE CONTROLLING ENGINEERING ORGANIZATION SHOULD BE CONTACTED FOR THE LATEST REVISION.

DIMENSIONS: mm	TOLERANCES UNLESS OTHERWISE SPECIFIED: 0 PLC ± 1 PLC ±0,2 2 PLC ±0,1 3 PLC ± 4 PLC ± ANGLES ±2°	DWN W. Jansen 26JUN2008 CHK W. Jansen 26JUN2008 APVD D. Halberstadt 26JUN2008	TYCO ELECTRONICS NEDERLAND B.V. 's-HERTOGENBOSCH, THE NETHERLANDS	
MATERIAL see notes	FINISH see notes	PRODUCT SPEC -	NAME SCALABLE SHIELDED SIM 6 positions	
		APPLICATION SPEC -	SIZE A3	CAGE CODE 00779
		WEIGHT . [gram]	DRAWING NO C-2042647	RESTRICTED TO -
CUSTOMER DRAWING		SCALE 8:1	SHEET 2 OF 3	REV C

THIS DRAWING IS UNPUBLISHED. RELEASED FOR PUBLICATION
 © COPYRIGHT - BY TYCO ELECTRONICS CORPORATION. ALL RIGHTS RESERVED.

LOC	DIST	REVISIONS					
H	-	P	LTR	DESCRIPTION	DATE	DWN	APVD
			-	SEE SHEET 1			

USER DIRECTION OF UNREELING



EIA TAPE FOR PN 2-2042647-0

NOTES:
 ANTI-STATIC COVER, EMBOSS TAPE AND REEL ACCORDING EIA STANDARD 481-B
 ELECTROSTATIC REQUIREMENTS:
 -SURFACE RESISTANCE: 1MΩ/SQUARE < R_s < 10GΩ/SQUARE

<small>THIS DRAWING IS A CONTROLLED DOCUMENT FOR TYCO ELECTRONICS CORPORATION IT IS SUBJECT TO CHANGE AND THE CONTROLLING ENGINEERING ORGANIZATION SHOULD BE CONTACTED FOR THE LATEST REVISION.</small>		DWN 26JUN2008 W. Jansen		TYCO ELECTRONICS NEDERLAND B.V. 's-HERTOGENBOSCH, THE NETHERLANDS	
DIMENSIONS: mm		TOLERANCES UNLESS OTHERWISE SPECIFIED: 0 PLC ±- 1 PLC ±0,2 2 PLC ±0,1 3 PLC ±- 4 PLC ±- ANGLES ±2°		NAME SCALABLE SHIELDED SIM 6 positions	
MATERIAL see notes		FINISH see notes		PRODUCT SPEC - APPLICATION SPEC - WEIGHT .[gram]	
		CUSTOMER DRAWING		SIZE A3 CAGE CODE 00779 DRAWING NO. C=2042647 RESTRICTED TO -	
		SCALE 8:1		SHEET 3 OF 3 REV C	