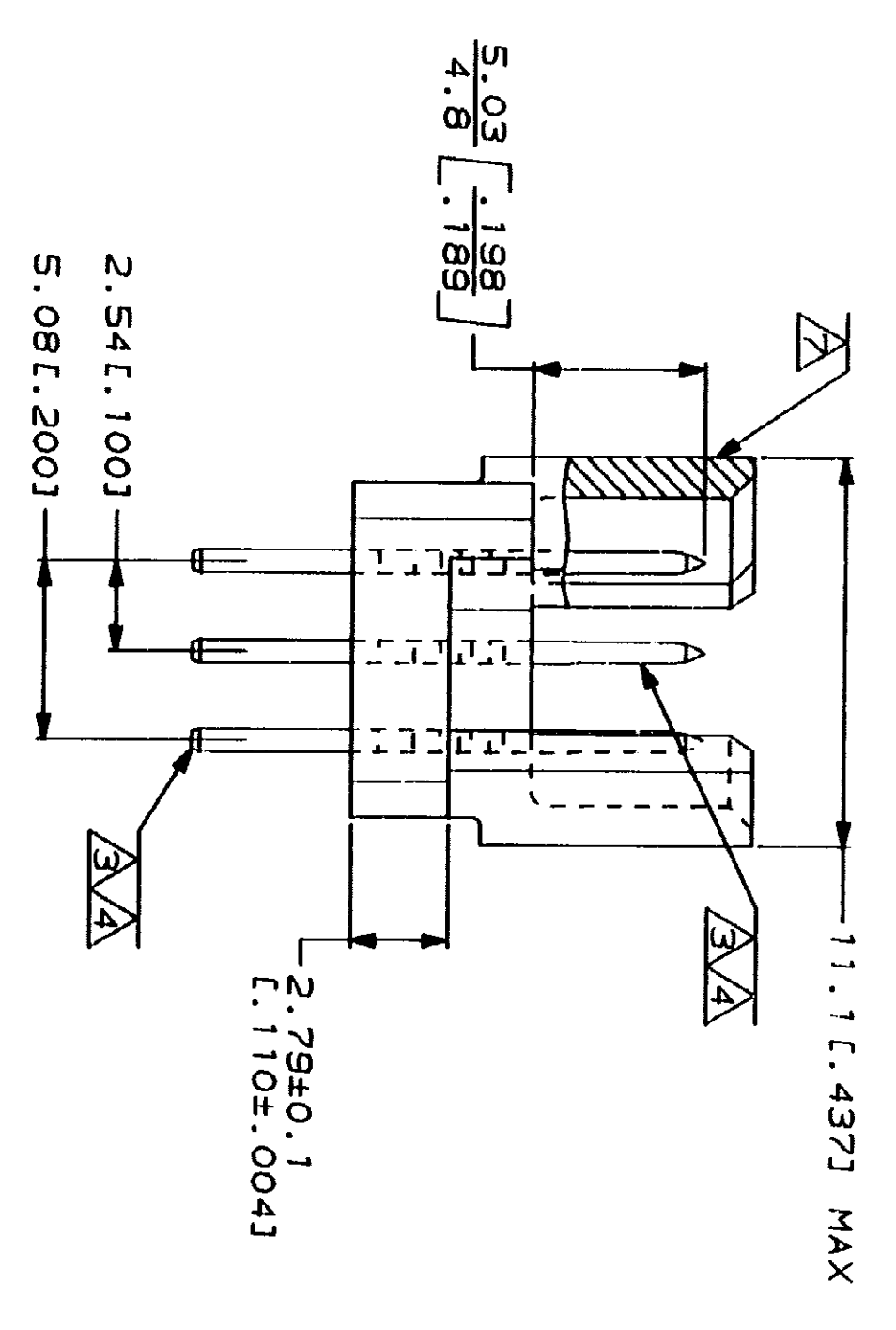
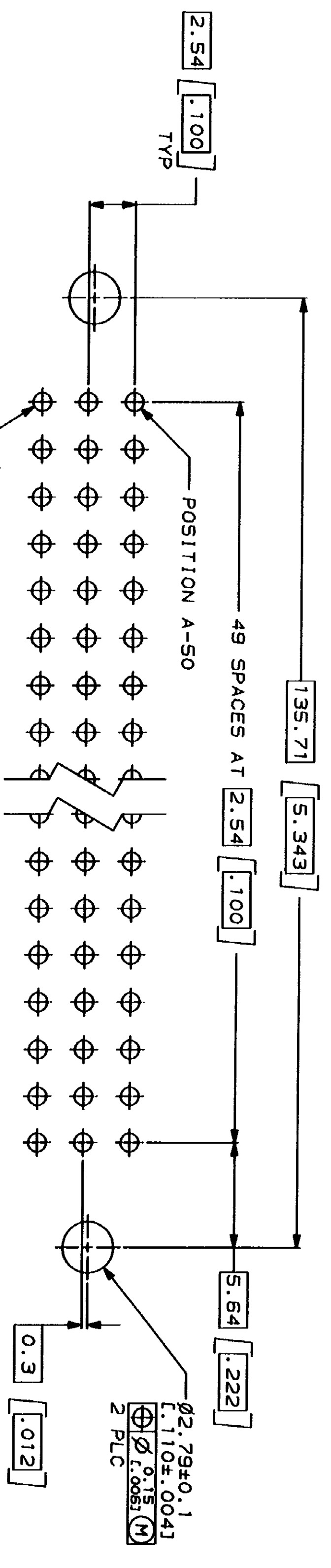
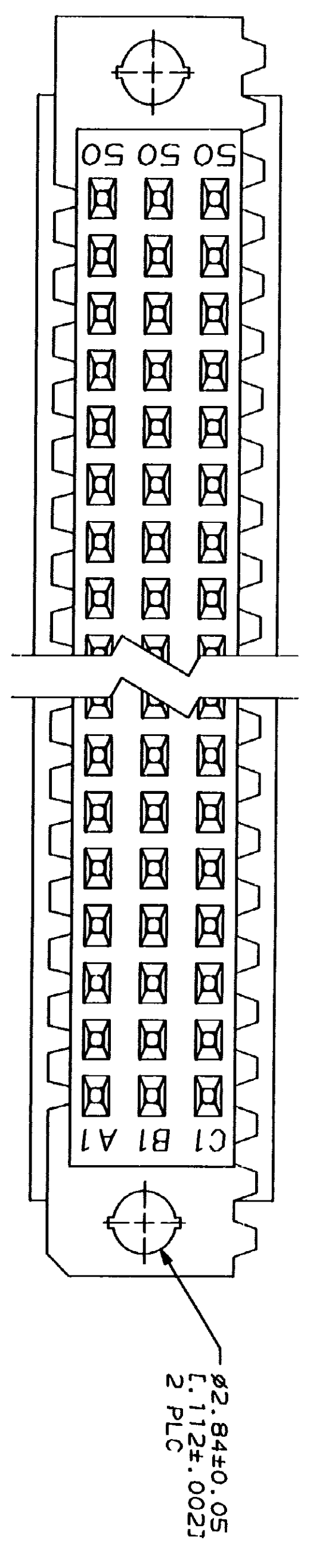
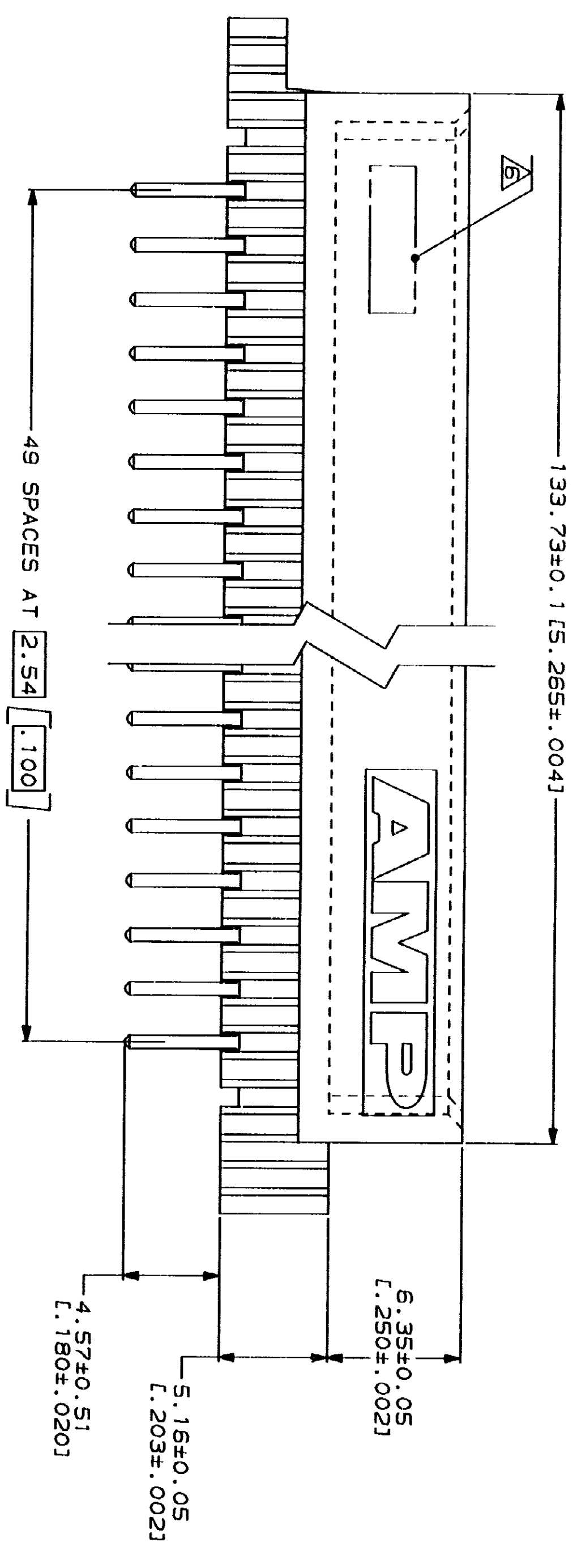
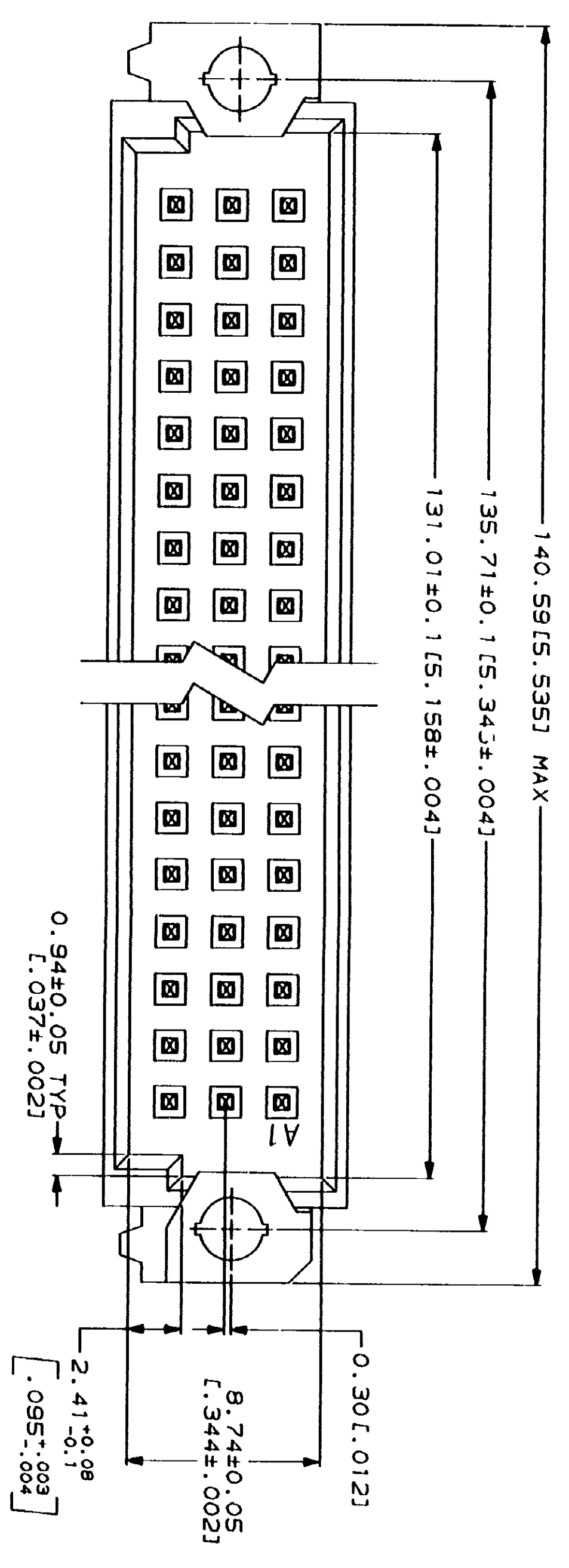


LOC	POST	#	ZONE	LTN	DESCRIPTION	DATE	APPD
AD	25			0	DRAWN	-	-
				B	ECN A05586, A05640	6/10/91	LSB
				C	ECN A05676	11/14/91	LSB
				D	ECN A05671	12/20/91	LSB
				E	ECN A06256	6/2/92	LSB
				F	EC 0010-0613-93	5/28/93	LSB
				G	EC 0010-0436-94	3/25/94	LSB



- △ HOUSING MATERIAL: GLASS-FILLED POLYESTER. COLOR: GRAY.
- △ POST MATERIAL: BRASS.
- △ POST FINISH: DIN 41612 CLASS 3 IN CONTACT AREA.
- △ TIN-LEAD PLATE ON POSTS.
- △ POST FINISH: DIN 41612 CLASS 2 IN CONTACT AREA.
- △ TIN-LEAD PLATE ON POSTS.
- △ RECOMMENDED HOLE SIZE FOR MANUAL APPLICATION OF CONNECTOR ONTO PC BOARD.
- △ [PART NUMBER] [DATE CODE] MARKED THIS APPROXIMATE AREA.
- △ MARKING ON THIS SIDE.

OBsolete	REV	DATE	DESCRIPTION	NO. OF LOADED POSITIONS	ASSY PART NUMBER
1-50	A			150	650911-9
1-50	A			150	650911-5

DR	DATE	NAME	PART NO
L. BRINER	3/18/91		
D.C. RUBENDALL	3/26/91		
D.C. RUBENDALL	3/26/91		
K.R. PARKER	3/26/91		

DO NOT SCALE PRINT.  
 UNLESS SPECIFIED DIMENSIONS IN MM (INCHES)  
 1 PLC DEC ± 0.1  
 2 PLC DEC ± 0.131 (0.005)  
 ANGLES  
 MATERIAL  
 HOUSING: △  
 POST: △  
 FINISH  
 POST: △/△

AMP  
 AMP Incorporated  
 Harrisburg, PA 17105-3608  
 P1N ASSEMBLY, EUROCARD,  
 TYPE "R"  
 APPLICATION SPEC  
 CAGE CODE 00779  
 DRAWING NO 650911  
 SCALE 5:1  
 SHEET 1 OF 1

PC BOARD LAYOUT