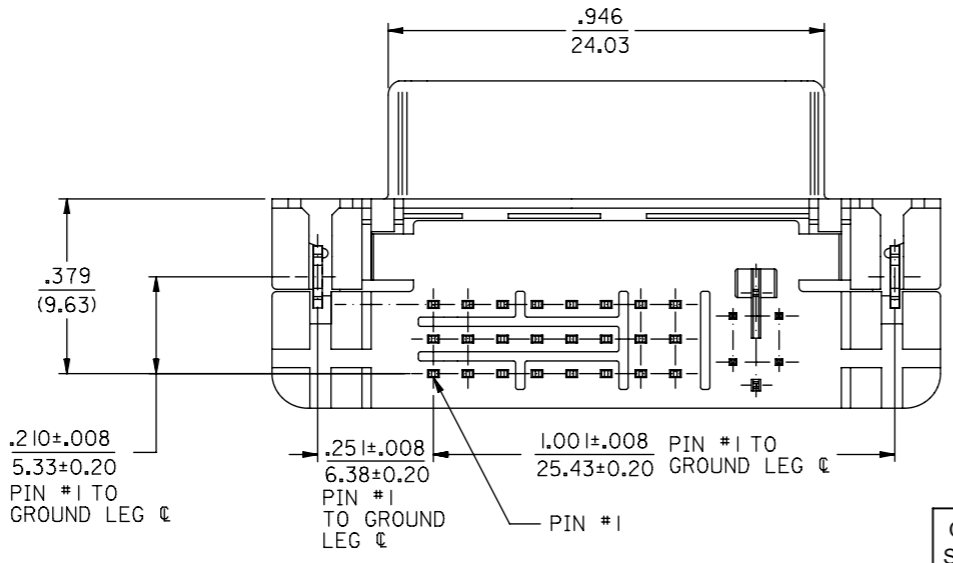
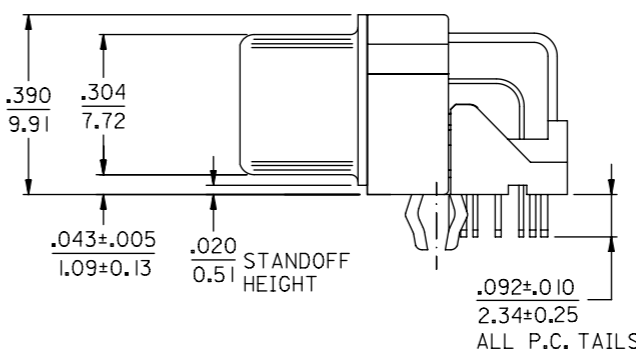
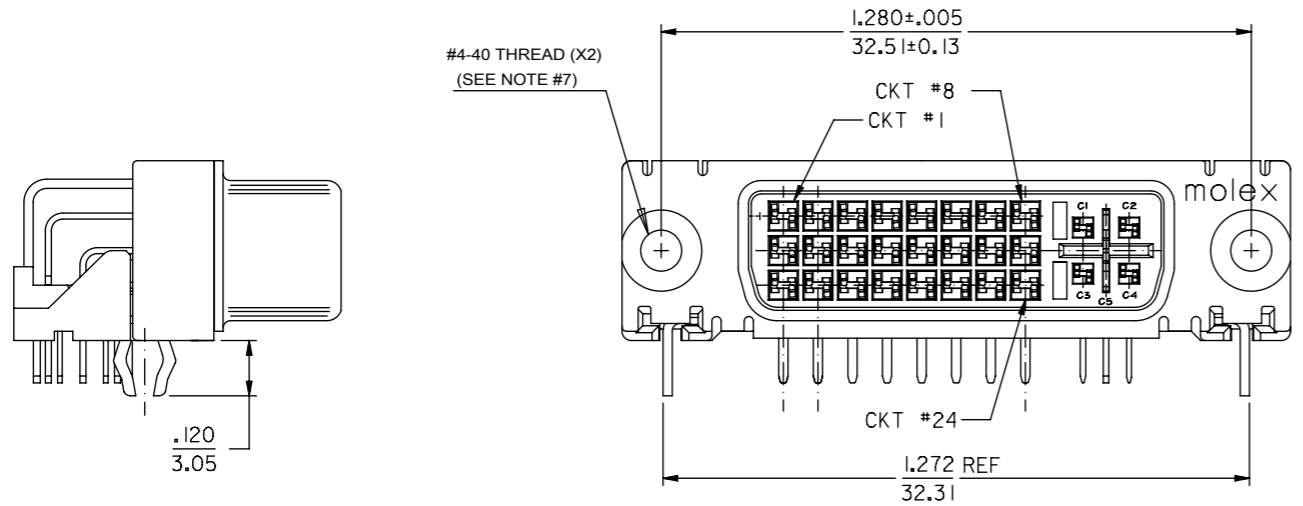


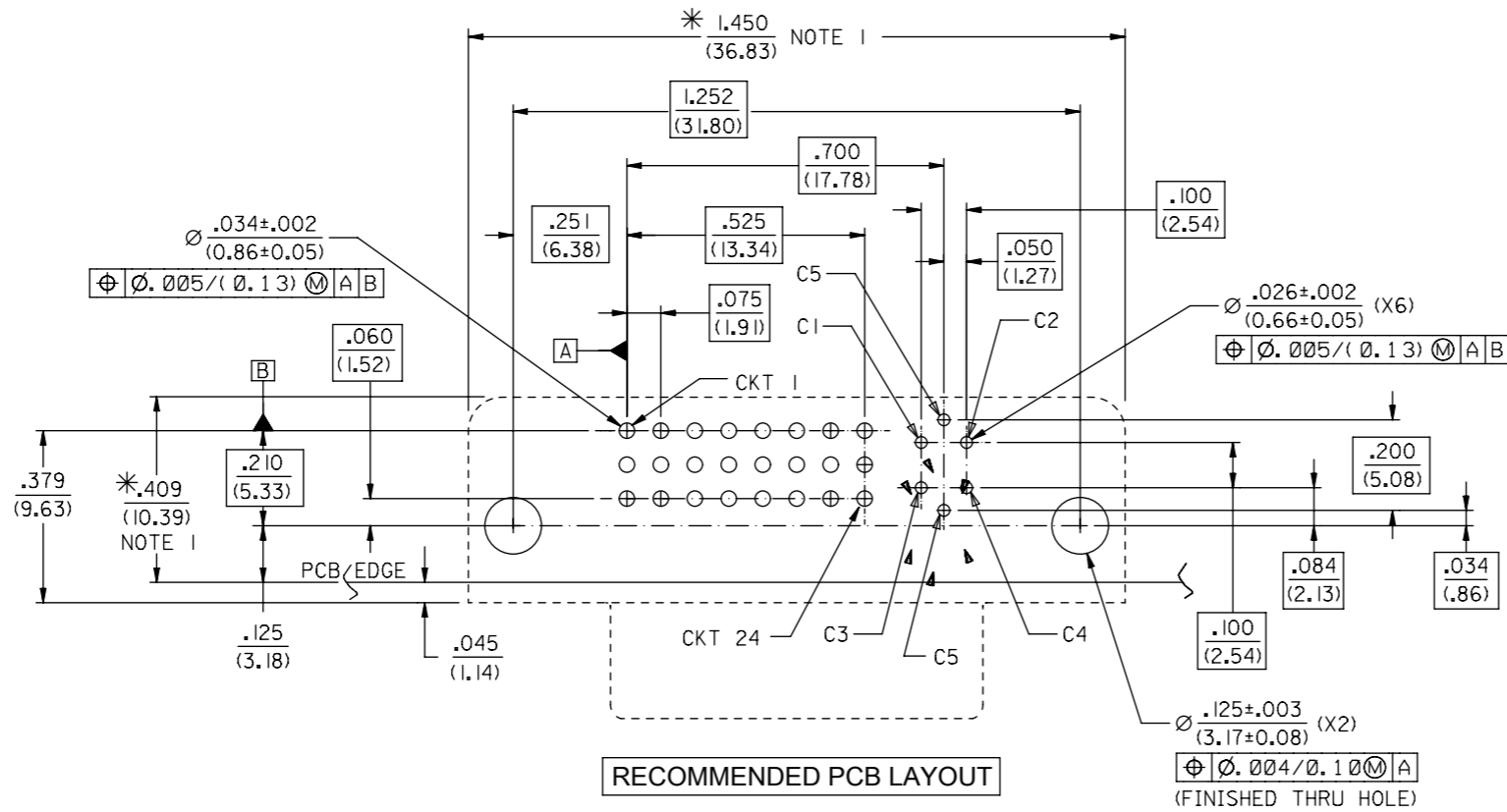
- NOTES:
- MATERIAL:
SHIELD: DEEP DRAW STEEL;
HOUSING: LCP, UL94V-0, NATURAL (WHITE);
TAIL ALIGNER: LCP, UL94V-0, NATURAL (WHITE);
CONTACT: COPPER ALLOY.
 - PLATING: SEE SHEET 2.
 - PRODUCT CONFORMS TO MOLEX PRODUCT SPECIFICATION NUMBER PS-74320-001.
 - SEE SHEET 2 FOR RECOMMENDED PANEL CUT-OUT AND P.C.B. LAYOUT.
 - PARTS WILL BE PACKAGED IN TRAYS PER PK-74320-010.
 - PRODUCT CONFORMS TO DDWG DVI SPECIFICATION. REFER TO THIS SPECIFICATION FOR CONNECTOR MATING DIMENSIONS.
 - RECOMMENDED MOUNTING HARDWARE IS MOLEX P/N 71781-0001 OR 82007-0300 OR 88780-6066. REFER TO PRODUCT SPECIFICATION NUMBER PS-74320-001 FOR THIS APPLICATION TORQUE REQUIREMENT FOR ASSMBLING MOUNTING HARDWARE.
- ⚠ CAVITY ID AND MANUFACTURING PLANT CODE.



74320-9014	2
74320-9010	1
PART NUMBER	PLATING OPTION

THIS DRAWING CONTAINS INFORMATION THAT IS PROPRIETARY TO MOLEX ELECTRONIC TECHNOLOGIES, LLC AND SHOULD NOT BE USED WITHOUT WRITTEN PERMISSION												
QUALITY SYMBOLS FA = 0 FE = 0 FB = 0 FV = 0 FC = 0 FX = 0 FS = 0 FT = 0	CHANGE SHELL PLATING EC NO: 118825 DRWN: XQZHANG CHK'D: XQZHANG APPR: AYIN	GENERAL TOLERANCES (UNLESS SPECIFIED) ANGULAR TOL ± 1.0 °		DIMENSION UNITS	SCALE	 DVI-I RIGHT ANGLE RECEPTACLE CONNECTOR, W/FORKLOCK						
		4 PLACES ± 0.01 3 PLACES ± 0.01 2 PLACES ± 0.01 1 PLACE ± 0 PLACES ±		INCH	1:1							
		DRAFT WHERE APPLICABLE MUST REMAIN WITHIN DIMENSIONS		DRWN BY	DATE							
		F		XJSONG XJSONG RZHANG	2016/08/17 2016/08/16 2017/07/10	2011/08/18 2011/08/18 2011/08/22	PRODUCT CUSTOMER DRAWING					
		F		A3 THIRD ANGLE PROJECTION	DRAWING SIZE			SERIES 74320	MATERIAL NUMBER SEE TABLE	CUSTOMER GENERAL MARKET		
F		DOCUMENT NUMBER SD-74320-026		DOC TYPE PSD	DOC PART 000	SHEET NUMBER 1 OF 2						

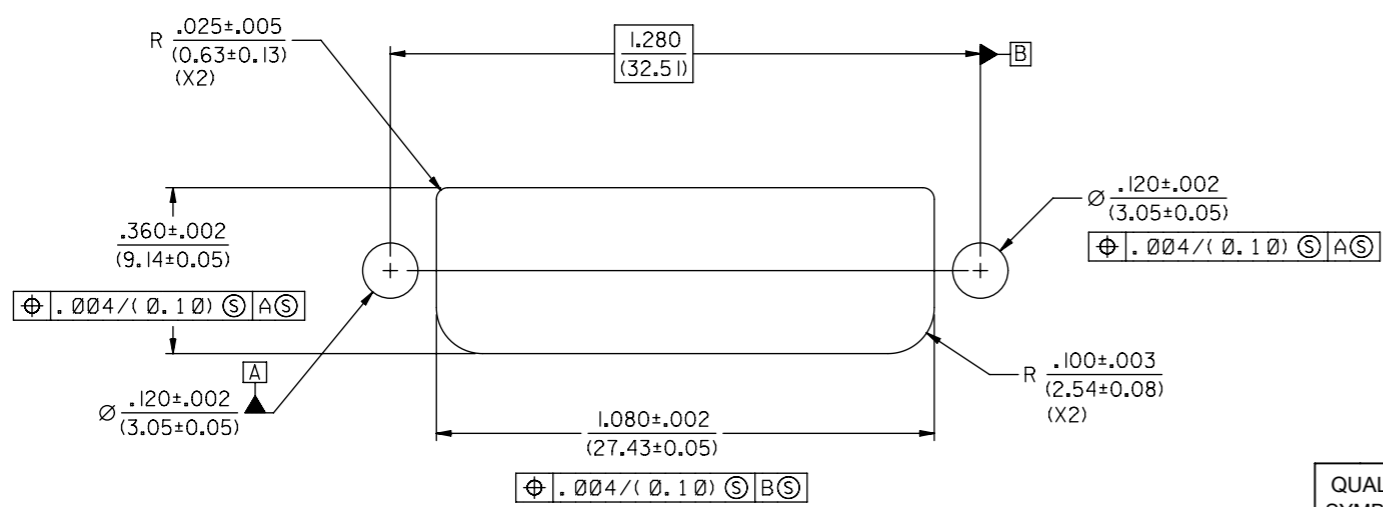
RELEASE STATUS	RELEASE DATE
----------------	--------------



RECOMMENDED PCB LAYOUT

COMPONENT SIDE OF PCB SHOWN

* THESE DIMENSIONS REPRESENT CONNECTOR OVERLAY ON PCB.



RECOMMENDED PANEL CUT-OUT
PANEL THICKNESS: .030"-.040"

PLATING OPTIONS:

PLATING OPTION #1:

OUT SHIELD -- 60u" (1.5um) MIN. SOLDERABLE NICKEL OVER
30u" (0.75um) MIN. COPPER OVERALL.
.075" (1.91mm) CONTACTS -- 30u" (0.75um) MIN. SELECT GOLD AND
100u" (2.50um) MIN. SELECT PURE TIN
OVER 50u" (1.27um) MIN. NICKEL OVERALL.

PLATING OPTION #2:

OUT SHIELD -- 60u" (1.5um) MIN. SOLDERABLE NICKEL OVER
30u" (0.75um) MIN. COPPER OVERALL.
.075" (1.91mm) CONTACTS -- SELECT GOLD FLASH AND
100u" (2.50um) MIN. SELECT PURE TIN
OVER 50u" (1.27um) MIN. NICKEL OVERALL.

THIS DRAWING CONTAINS INFORMATION THAT IS PROPRIETARY TO MOLEX ELECTRONIC TECHNOLOGIES, LLC AND SHOULD NOT BE USED WITHOUT WRITTEN PERMISSION									
QUALITY SYMBOLS	CHANGE SHELL PLATING	EC NO: 118825	DRWN: XQZHANG	CHK'D: XQZHANG	APPR: AYIN	GENERAL TOLERANCES (UNLESS SPECIFIED)		DIMENSION UNITS	SCALE
						ANGULAR TOL ± 1.0 °		INCH	1:1
▽A = 0	▽B = 0	▽C = 0	▽D = 0	▽E = 0	▽F = 0	4 PLACES ± 0.01	3 PLACES ± 0.01	2 PLACES ± 0.01	1 PLACE ±
▽G = 0	▽H = 0	▽I = 0	▽J = 0	▽K = 0	▽L = 0	0 PLACES ±	DRAFT WHERE APPLICABLE MUST REMAIN WITHIN DIMENSIONS		DRAWING SIZE
▽M = 0	▽N = 0	▽O = 0	▽P = 0	▽Q = 0	▽R = 0	A3		THIRD ANGLE PROJECTION	
F						REV		DATE	
2016/08/17						2016/08/16		2017/07/10	
XJSONG						XJSONG		RZHANG	
2011/08/18						2011/08/18		2011/08/22	
74320						SEE TABLE		GENERAL MARKET	
SD-74320-026						PSD		000	
2 OF 2									

RELEASE STATUS	RELEASE DATE
----------------	--------------