

NBC-R4AC/10G-R4AC/10G-94F/6,0 - Patch cable



1408366

<https://www.phoenixcontact.com/us/products/1408366>

Please be informed that the data shown in this PDF document is generated from our online catalog. Please find the complete data in the user documentation. Our general terms of use for downloads are valid.



Patch cable, CAT6_A, 4-pair, shielded, connection not crossed (line), assembled at both ends with RJ45/IP20 connectors, outer sheath material: PUR, length: 6.0 m

Your advantages

- Compact angle
- Perfect for industrial applications
- PVC cable for flexible installations
- Worldwide approval with CE, UL, WEEE, and EAC
- Secure connection and disconnection with reliable locking clip protection
- Ideal EMC properties, thanks to 360° shielding
- Simultaneous power transmission with PoE++
- Resistant to shock and vibrations, thanks to robust molding
- High-speed data transmission with up to 1 Gbps (CAT5)

Commercial data

| | |
|--------------------------------------|---------------|
| Item number | 1408366 |
| Packing unit | 1 pc |
| Minimum order quantity | 1 pc |
| Sales key | AB11 |
| Product key | ABNABF |
| GTIN | 4046356805070 |
| Weight per piece (including packing) | 307.2 g |
| Weight per piece (excluding packing) | 281.3 g |
| Customs tariff number | 85444210 |
| Country of origin | PL |

1408366

<https://www.phoenixcontact.com/us/products/1408366>

Technical data

Product properties

| | |
|---------------------|-------------------------|
| Product type | Data cable preassembled |
| Sensor type | Ethernet |
| Number of positions | 8 |
| Shielded | yes |

Signaling

| | |
|------------------------|----|
| Status display | No |
| Status display present | No |

Electrical properties

| | |
|---|-------------------|
| Rated voltage (III/3) | 72 V (DC) |
| Nominal voltage U_N | 48 V |
| Nominal current I_N | 0.5 A |
| Transmission medium | Copper |
| Transmission characteristics (category) | CAT6 _A |
| Transmission speed | 10 Gbps |

Mechanical properties

Mechanical data

| | |
|-------------------------------------|---------|
| Insertion force per signal contact | 50.00 N |
| Extraction force per signal contact | 30 N |

Connector

Connection 1

| | |
|-----------------------------|--------------------|
| Type | Plug straight RJ45 |
| Shielded | yes |
| Insertion/withdrawal cycles | ≥ 750 |
| Degree of protection | IP20 |
| Number of positions | 8 |
| Insertion/withdrawal cycles | 750 |

Connection 2

| | |
|-----------------------------|--------------------|
| Type | Plug straight RJ45 |
| Shielded | yes |
| Insertion/withdrawal cycles | ≥ 750 |
| Number of positions | 8 |
| Degree of protection | IP20 |

Cable/line

| | |
|--------------|--------|
| Cable length | 6.00 m |
|--------------|--------|


NBC-R4AC/10G-R4AC/10G-94F/6,0 - Patch cable



1408366

<https://www.phoenixcontact.com/us/products/1408366>

Ethernet 10 Gbit [94F]

| | |
|---------------------------------|--|
| Dimensional drawing |  |
| Shielded | yes |
| UL AWM Style | 20963 (80°C/30 V) |
| Cable weight | 42 kg/km |
| Cable type | Ethernet 10 Gbit |
| Short symbol | 02YSC11Y |
| Cable type (abbreviation) | 94F |
| Signal type/category | Ethernet CAT6 _A , 10 Gbps |
| Cable structure | 4x2xAWG26/7; S/FTP |
| External cable diameter | 6.4 mm ±0.2 mm |
| Outer sheath, material | PUR |
| External sheath, color | water blue RAL 5021 |
| Thickness, outer sheath | 0.65 mm |
| Conductor material | Bare Cu litz wires |
| Conductor structure signal line | 7x 0.16 mm |
| AWG signal line | 26 |
| Conductor cross section | 4x 2x 0.14 mm ² |
| Material wire insulation | Foamed PE |
| Wire diameter incl. insulation | 1.04 mm |
| Single wire, color | white/blue-blue, white/orange-orange, white/green-green, white/brown-brown |
| Twisted pairs | 2 cores to the pair |
| Type of pair shielding | Aluminum-lined foil |
| Overall twist | 4 pairs for core |
| Shielding | Tinned copper braided shield |
| Optical shield covering | 70 % |
| Nominal voltage, cable | ≤ 100 V |
| Test voltage Core/Core | 700 V (50 Hz, 1 min.) |
| Test voltage Core/Shield | 700 V (50 Hz, 1 min.) |
| Cable insulation resistance | ≥ 500 MΩ*km |
| Wave impedance | 100 Ω ±5 Ω (at 100 MHz) |
| Loop resistance | ≤ 290.00 Ω/km |
| Cable capacity | 47 nF/km |
| Signal runtime | 5.13 ns/m |
| Tensile strength | ≤ 100 N |

NBC-R4AC/10G-R4AC/10G-94F/6,0 - Patch cable



1408366

<https://www.phoenixcontact.com/us/products/1408366>

| | |
|--|------------------------|
| Minimum bending radius, fixed installation | 4 x D |
| Minimum bending radius, flexible installation | 8 x D |
| Damping | 3.1 dB (with 1 MHz) |
| | 5.7 dB (at 4 MHz) |
| | 8 dB (at 8 MHz) |
| | 8.9 dB (at 10 MHz) |
| | 11.2 dB (at 16 MHz) |
| | 12.6 dB (at 20 MHz) |
| | 14.1 dB (at 25 MHz) |
| | 15.8 dB (at 31.25 MHz) |
| | 22.5 dB (at 62.5 MHz) |
| | 28.7 dB (at 100 MHz) |
| | 41.4 dB (at 200 MHz) |
| | 46.6 dB (at 250 MHz) |
| | 51.4 dB (at 300 MHz) |
| | 60.1 dB (at 400 MHz) |
| 67.9 dB (at 500 MHz) | |
| Near end crosstalk attenuation (NEXT) | 75.3 dB (with 1 MHz) |
| | 66.3 dB (at 4 MHz) |
| | 61.8 dB (at 8 MHz) |
| | 60.3 dB (at 10 MHz) |
| | 57.2 dB (at 16 MHz) |
| | 55.8 dB (at 20 MHz) |
| | 54.3 dB (at 25 MHz) |
| | 52.8 dB (at 31.25 MHz) |
| | 48.4 dB (at 62.5 MHz) |
| | 45.3 dB (at 100 MHz) |
| | 40.8 dB (at 200 MHz) |
| | 39.3 dB (at 250 MHz) |
| | 38.1 dB (at 300 MHz) |
| | 36.3 dB (at 400 MHz) |
| 34.8 dB (at 500 MHz) | |
| Power-summated near end crosstalk attenuation (PSNEXT) | 72.3 dB (with 1 MHz) |
| | 63.3 dB (at 4 MHz) |
| | 58.8 dB (at 8 MHz) |
| | 57.3 dB (at 10 MHz) |
| | 54.2 dB (at 16 MHz) |
| | 52.8 dB (at 20 MHz) |
| | 51.3 dB (at 25 MHz) |
| | 49.9 dB (at 31.25 MHz) |
| | 45.4 dB (at 62.5 MHz) |
| | 42.3 dB (at 100 MHz) |
| | 37.8 dB (at 200 MHz) |
| | 36.3 dB (at 250 MHz) |

NBC-R4AC/10G-R4AC/10G-94F/6,0 - Patch cable



1408366

<https://www.phoenixcontact.com/us/products/1408366>

| | |
|---------------------------------|---|
| Return loss (RL) | 35.1 dB (at 300 MHz) |
| | 33.3 dB (at 400 MHz) |
| | 31.8 dB (at 500 MHz) |
| | 20 dB (with 1 MHz) |
| | 23 dB (at 4 MHz) |
| | 24.5 dB (at 8 MHz) |
| | 25 dB (at 10 MHz) |
| | 25 dB (at 16 MHz) |
| | 25 dB (at 20 MHz) |
| | 24.2 dB (at 25 MHz) |
| | 23.3 dB (at 31.25 MHz) |
| | 20.7 dB (at 62.5 MHz) |
| | 19 dB (at 100 MHz) |
| | 16.4 dB (at 200 MHz) |
| | 15.6 dB (at 250 MHz) |
| 15.6 dB (at 300 MHz) | |
| 15.6 dB (at 400 MHz) | |
| 15.6 dB (at 500 MHz) | |
| Shield attenuation | ≥ 80 dB (at 30 ... 100 MHz) |
| Halogen-free | according to IEC 60754-1 |
| Resistance to oil | in accordance with DIN EN 60811-2-1 |
| Flame resistance | according to IEC 60332-1-2 |
| Ambient temperature (operation) | -20 °C ... 80 °C (Cable, flexible installation) |
| | -40 °C ... 80 °C (cable, fixed installation) |

Environmental and real-life conditions

Ambient conditions

| | |
|---------------------------------|--|
| Degree of protection | IP20 |
| | IP20 |
| Ambient temperature (operation) | -20 °C ... 70 °C (RJ45 connector) |
| | -20 °C ... 80 °C (cable, fixed installation) |

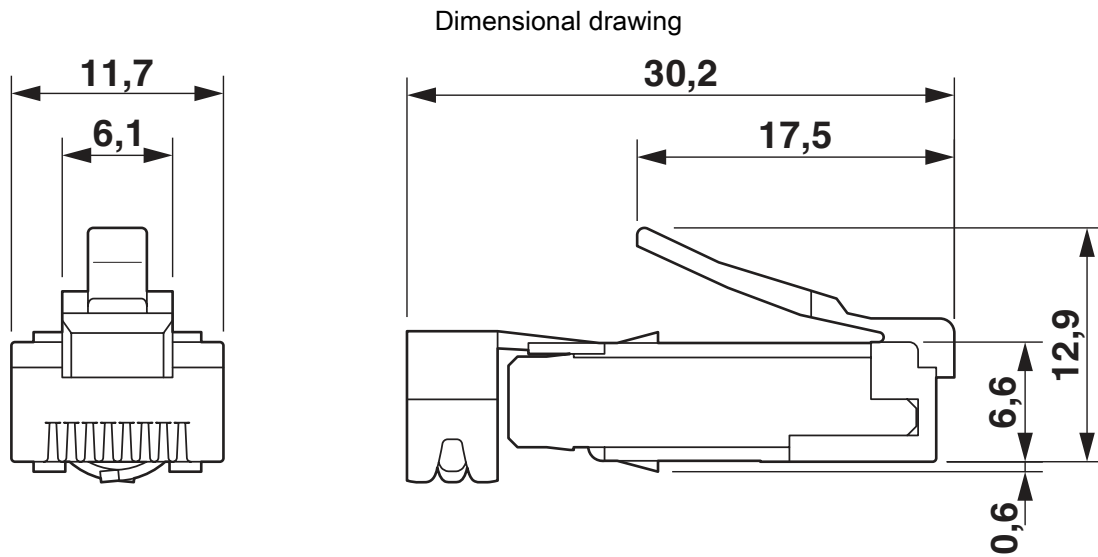
NBC-R4AC/10G-R4AC/10G-94F/6,0 - Patch cable



1408366

<https://www.phoenixcontact.com/us/products/1408366>

Drawings



NBC-R4AC/10G-R4AC/10G-94F/6,0 - Patch cable



1408366

<https://www.phoenixcontact.com/us/products/1408366>

Approvals

To download certificates, visit the product detail page: <https://www.phoenixcontact.com/us/products/1408366>



EAC

Approval ID: 19060508

NBC-R4AC/10G-R4AC/10G-94F/6,0 - Patch cable



1408366

<https://www.phoenixcontact.com/us/products/1408366>

Classifications

ECLASS

| | |
|-------------|----------|
| ECLASS-11.0 | 27060308 |
| ECLASS-12.0 | 27060308 |
| ECLASS-13.0 | 27060308 |

ETIM

| | |
|----------|----------|
| ETIM 8.0 | EC002599 |
|----------|----------|

UNSPSC

| | |
|-------------|----------|
| UNSPSC 21.0 | 26121600 |
|-------------|----------|

NBC-R4AC/10G-R4AC/10G-94F/6,0 - Patch cable



1408366

<https://www.phoenixcontact.com/us/products/1408366>

Environmental product compliance

| | |
|------------|---|
| China RoHS | Environmentally friendly use period: unlimited = EFUP-e |
| | No hazardous substances above threshold values |

Phoenix Contact 2023 © - all rights reserved
<https://www.phoenixcontact.com>

Phoenix Contact USA
586 Fulling Mill Road
Middletown, PA 17057, United States
(+717) 944-1300
info@phoenixcon.com