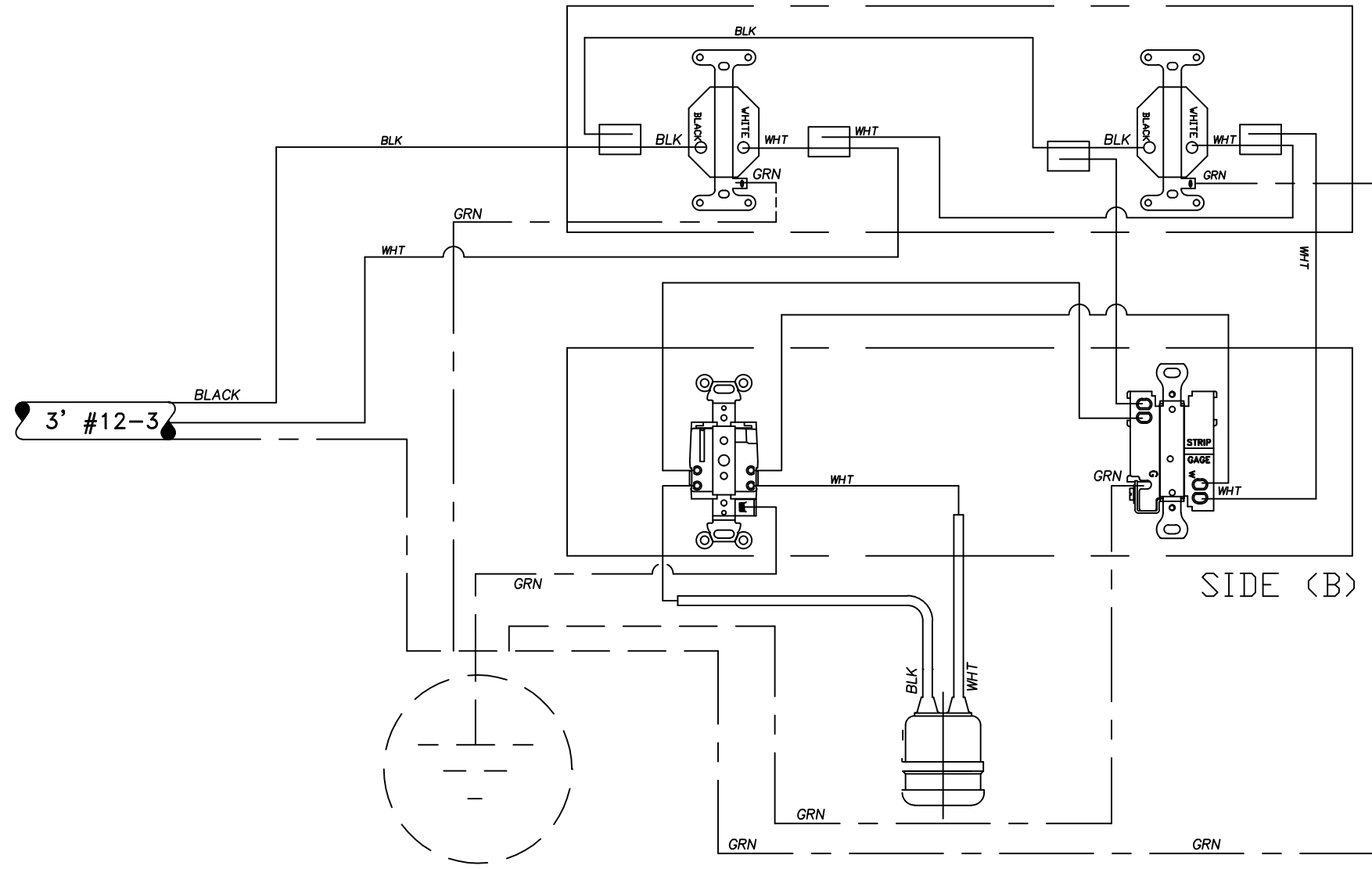
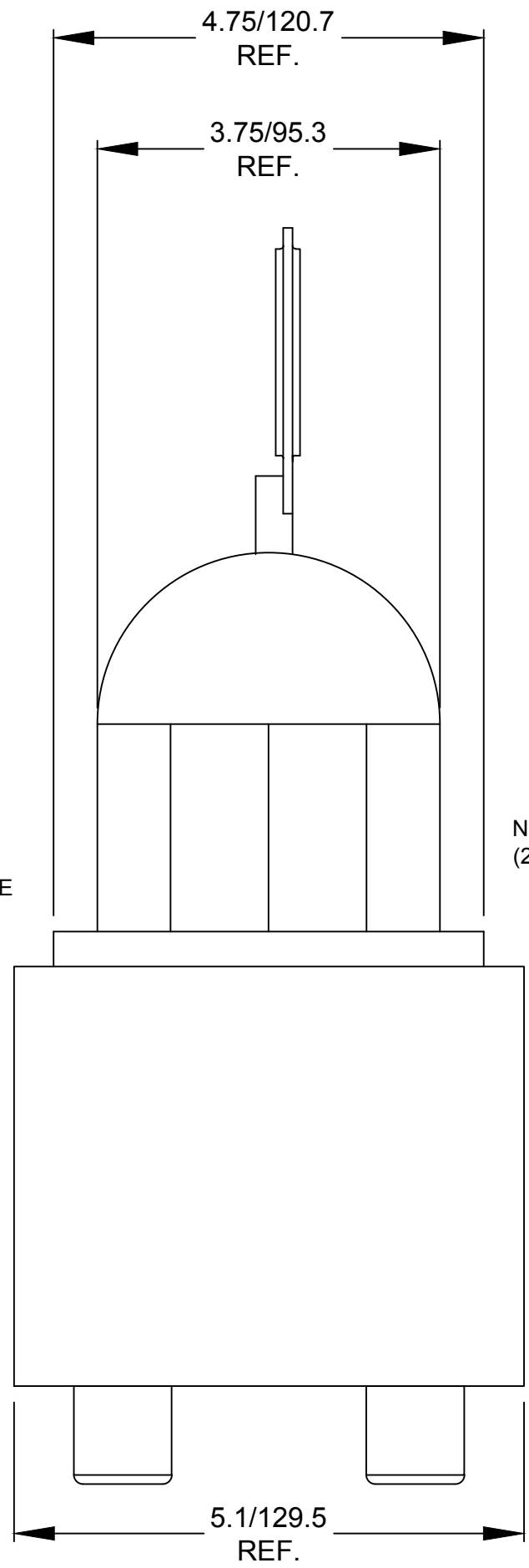


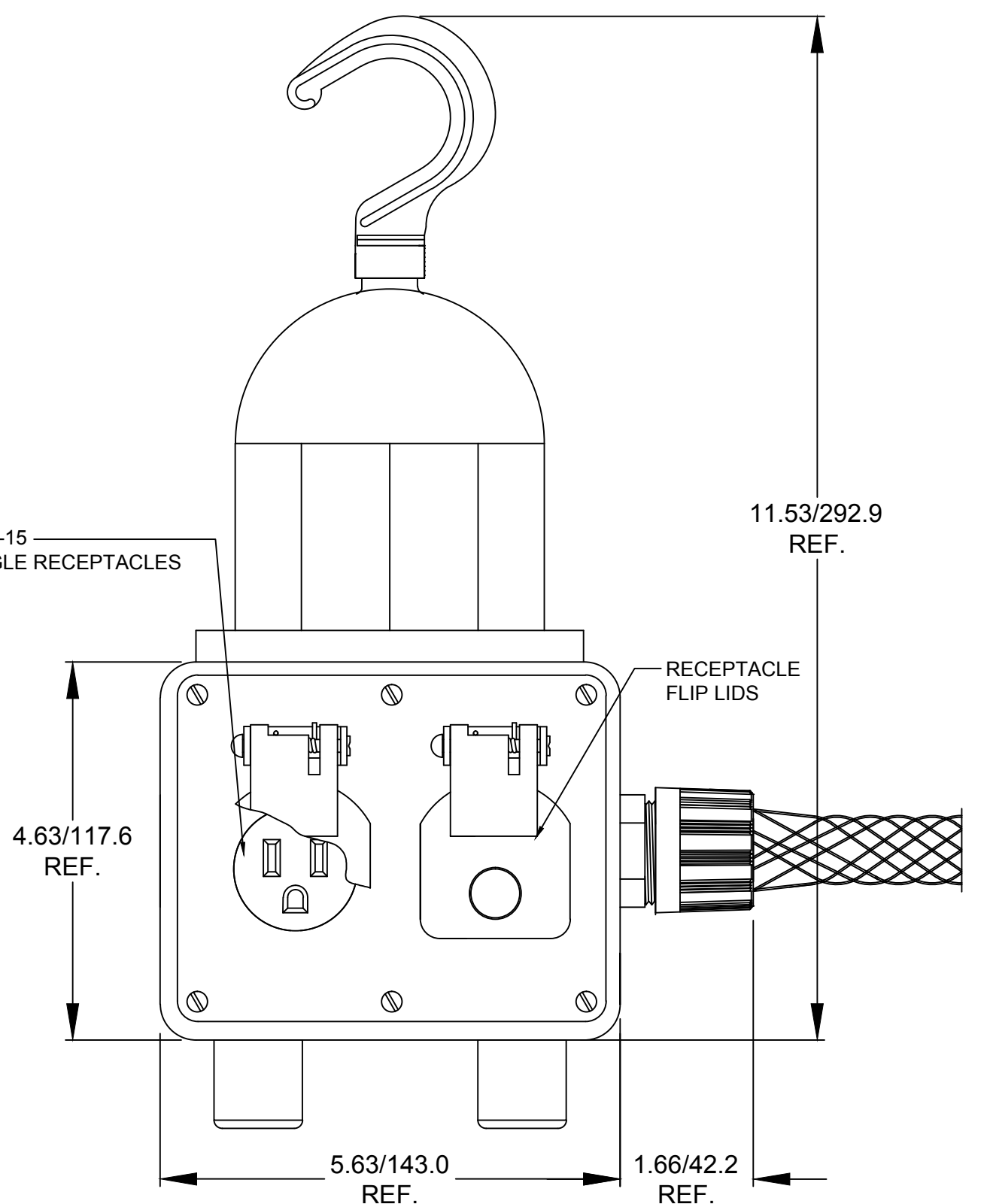
SIDE (A)



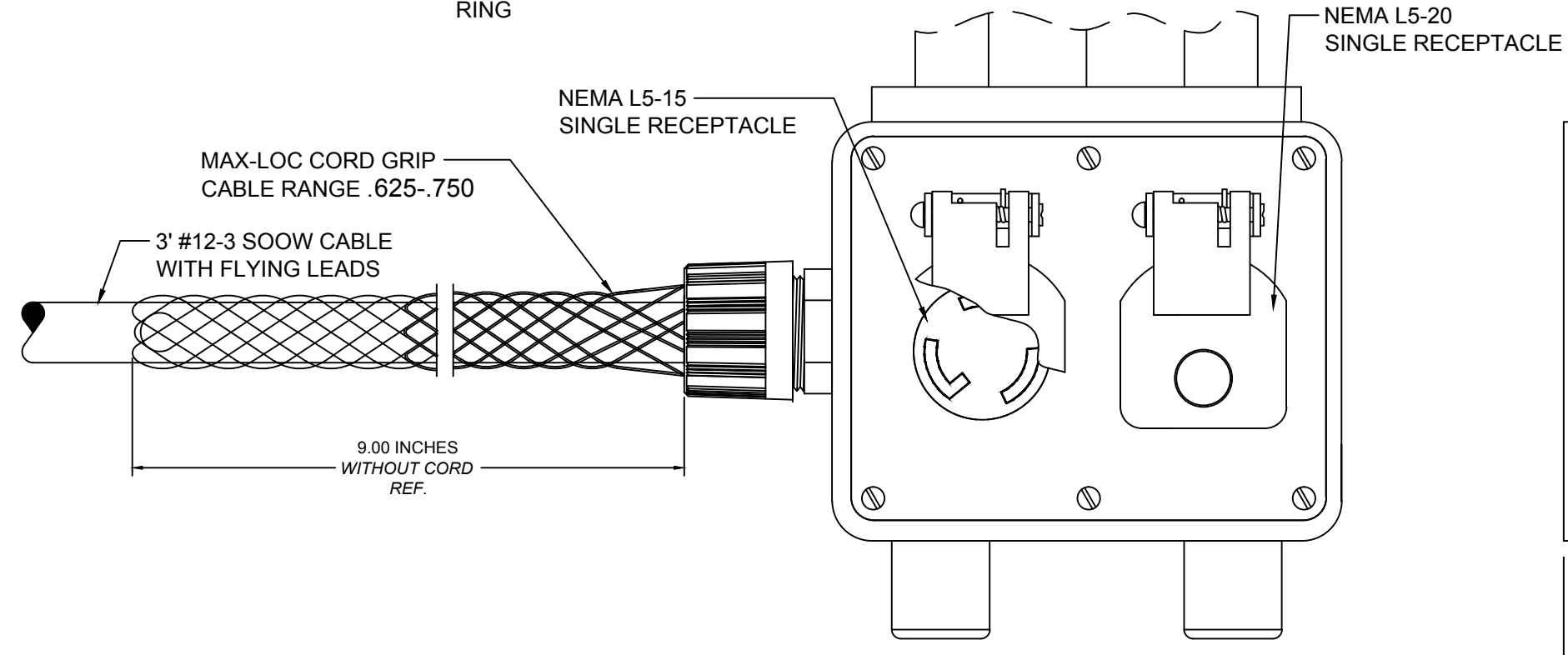
SIDE (B)



NEMA 5-15  
(2) SINGLE RECEPTACLES



SIDE A (TWO NEMA 5-15 SINGLE RECPTACLES WITH FLIP LIDS)



SIDE B (ONE NEMA L5-15 SINGLE RECPTACLES AND ONE NEMA L5-20 SINGLE RECEPTACLE WITH FLIP LIDS)

RELEASE SALE DRAWING EC NO: IPG2016-0276 DRWN: HKNEELAN 2015/08/19 CHKD: HRUIZ 2015/08/19 APPR: JFMURPHY 2015/09/17	QUALITY SYMBOL	GENERAL TOLERANCES (UNLESS SPECIFIED)	DIMENSION STYLE INCH/MM	SCALE NTS	DESIGN UNITS INCH	THIRD ANGLE PROJECTION	
	▽=0	4 PLACES ±--- ±---	DRAWN BY DATE	TITLE	MOLEX INCORPORATED	SHEET NO. 1 OF 1	
	∇=0	3 PLACES ±--- ±.005	CHECKED BY DATE				
		2 PLACES ±.13 ±.010	APPROVED BY DATE	3290 OUTLET BOX (2) 5-15 & (1) L5-15 & (1) L5-20 3' #12-3 SO			
		1 PLACE ±.25 ±.020	JFMURPHY 2015/09/17	MOLEX INCORPORATED			
	ANGULAR ±1/2°	MATERIAL NO. 1301350401	DOCUMENT NO. SD-130135-054				
	DRAFT WHERE APPLICABLE MUST REMAIN WITHIN DIMENSIONS	SIZE C	THIS DRAWING CONTAINS INFORMATION THAT IS PROPRIETARY TO MOLEX INCORPORATED AND SHOULD NOT BE USED WITHOUT WRITTEN PERMISSION				