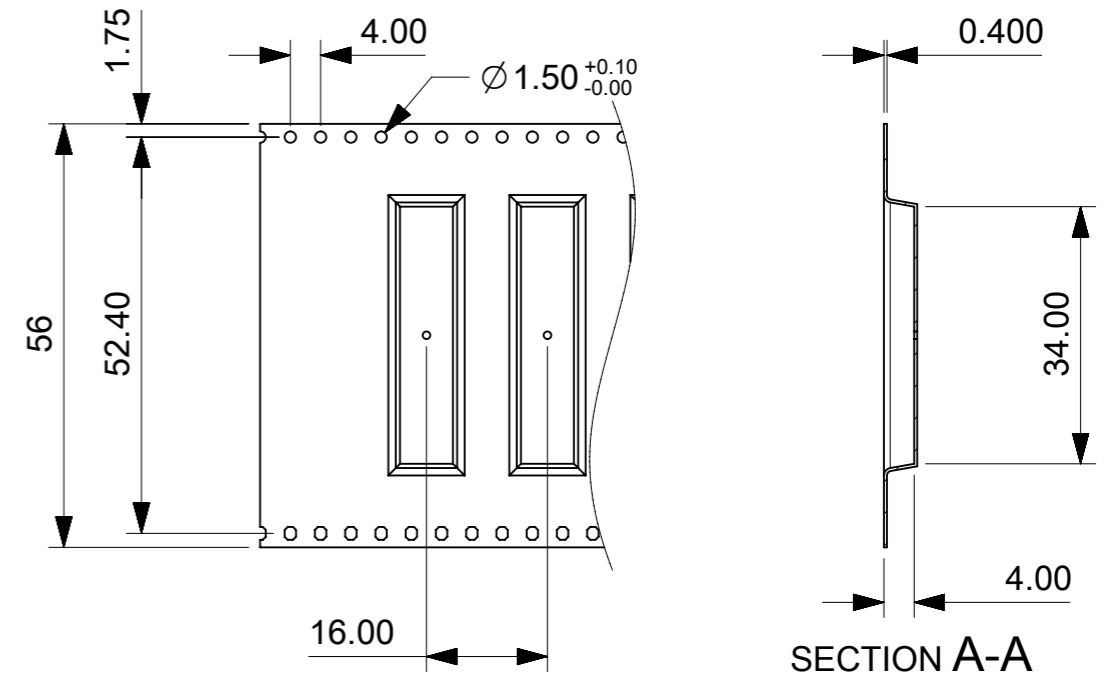
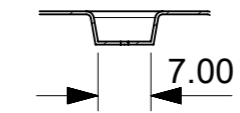


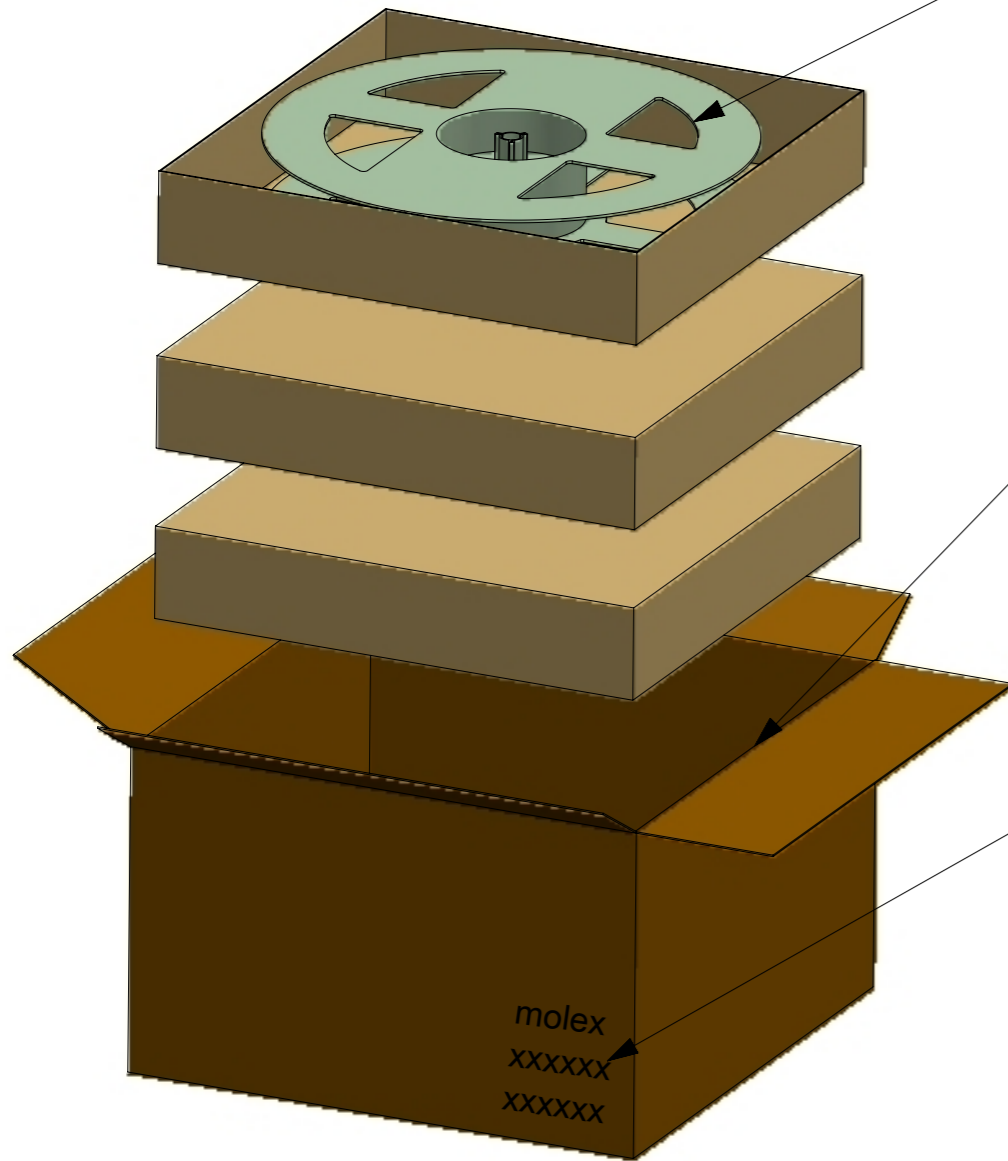
1000PCS PER REEL
WRAPPED BY VACUUM PACKAGING BAG
REEL SIZE: $\varnothing 330 \times 58 \text{mm}$



SECTION A-A



SECTION B-B



1 REEL PER INSIDE BOX
INSIDE BOX SIZE: $350 \times 350 \times 65 \text{mm}$

4 INSIDE BOXES PER SHIPPING CARTON
SHIPPING CARTON SIZE: $370 \times 370 \times 230 \text{mm}$

MOLEX LABEL

P/N	QTY/REEL	REELS/OUT BOX	SPQ
2047740001	600PCS	3REELS	1800PCS

THIS DRAWING CONTAINS INFORMATION THAT IS PROPRIETARY TO MOLEX ELECTRONIC TECHNOLOGIES, LLC AND SHOULD NOT BE USED WITHOUT WRITTEN PERMISSION											
EC NO: 120036 DRWN: CXU11 CHK'D: YPXING APPR: XJSONG	2017/07/28	GENERAL TOLERANCES (UNLESS SPECIFIED)		DIMENSION UNITS	SCALE						
	2017/08/17	ANGULAR TOL $\pm 1.0^\circ$		MM	1:5						
	2017/08/17	4 PLACES	\pm	DRWN BY	DATE	CELLULAR 790-2700MHZ CERAMIC ANTENNA					
		3 PLACES	± 0.05	CXU11	2017/07/28	PACKAGING DESIGN DRAWING					
		2 PLACES	± 0.1	CHK'D BY	DATE	SERIES MATERIAL NUMBER CUSTOMER					
	1 PLACE	± 0.2	YPXING	2017/08/17	204774 2047740001						
	0 PLACES	± 0.3	APPR BY	DATE	DOCUMENT NUMBER DOC TYPE DOC PART SHEET NUMBER						
			XJSONG	2017/08/17	2047740001 PDD PK 1 OF 1						
			DRAFT WHERE APPLICABLE MUST REMAIN WITHIN DIMENSIONS		DRAWING SIZE	THIRD ANGLE PROJECTION					
					A3						