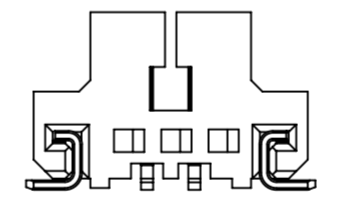
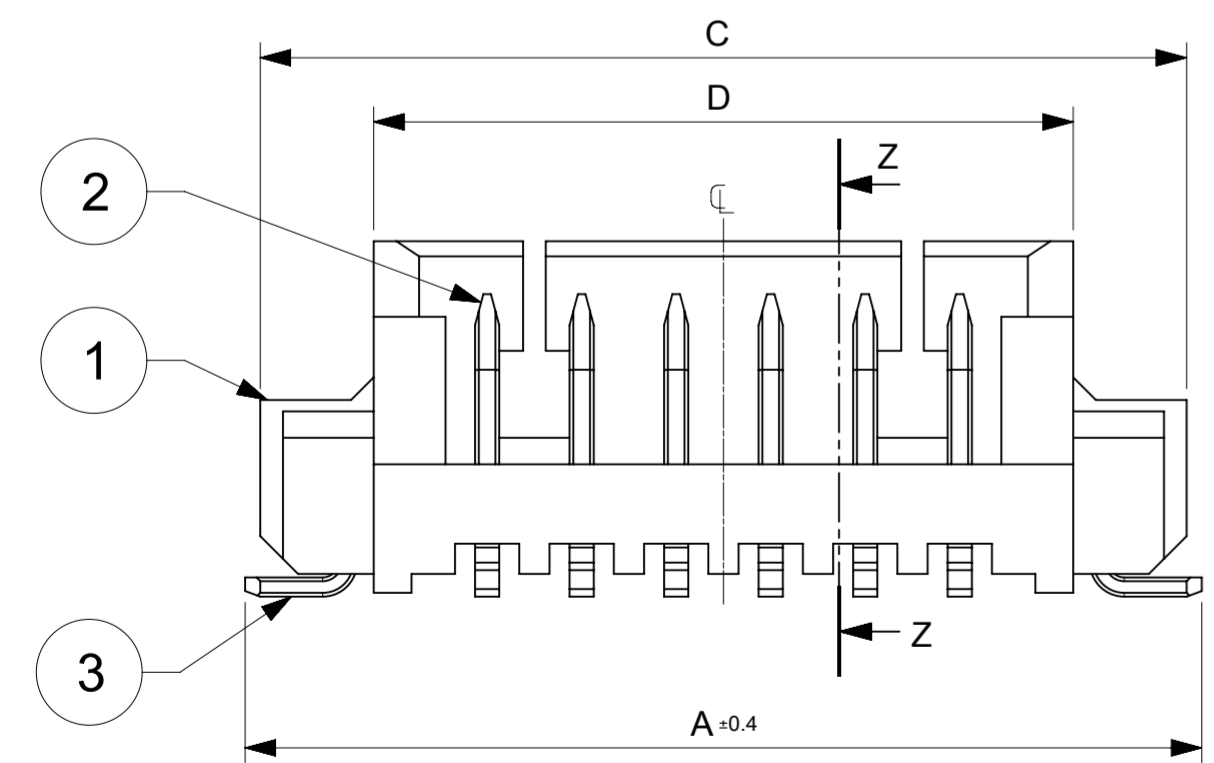
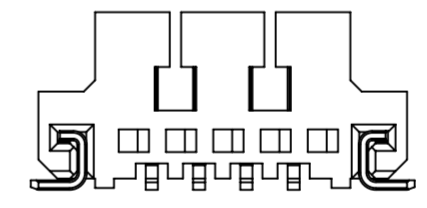


SECTION Z-Z



2, 3極形状 (1ロック)
FIGURE OF 2, 3 CIRCUIT (1 LOCK)



4~15極形状 (2ロック)
FIGURE OF 4-15 CIRCUIT (2 LOCKS)

NOTES

- ① 材料および仕上げ (めっき仕様) : TABLE 1参照
MATERIAL AND FINISHES : SEE TABLE 1
- ② 適用製品及び各種仕様書はSHEET 4を参照のこと
REFER TO SHEET 4 ABOUT APPLICABLE PRODUCTS AND VARIOUS SPECIFICATIONS
- ③ 梱包形態 : SHEET 3 参照
PACKAGING INFORMATION : SEE SHEET 3
- ④ 本製品は金めっき品です。錫めっき品は533980000-SDをご参照ください
THIS PRODUCT IS GOLD PLATING TYPE.
PLEASE REFER TO 533980000-SD FOR TIN PLATING TYPE.
- ⑤ 端子テール部およびネイルの平坦度は0.1以下
COPLANARITY OF TAIL AND NAIL TO BE 0.1 MAX.
- ⑥ 水平面上においてのハウジング底面 W とソルダーテール及びネイル底面とのズレ量を示す。
MISALIGNMENT OF SOLDER TAIL AND NAIL FROM W
- ⑦ 偶数極のみに適用
APPLY TO EVEN CIRCUIT PRODUCTS.

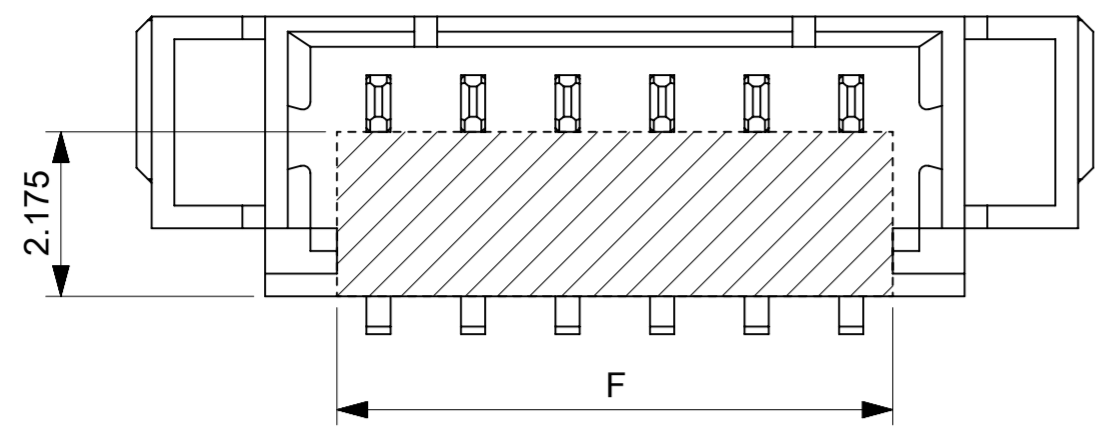
18.6	19.3	20.5	23.5	17.5	23.9	15
17.35	18.05	19.25	22.25	16.25	22.65	14
16.1	16.8	18	21	15	21.4	13
14.85	15.55	16.75	19.75	13.75	20.15	12
13.6	14.3	15.5	18.5	12.5	18.9	11
12.35	13.05	14.25	17.25	11.25	17.65	10
11.1	11.8	13	16	10	16.4	9
9.85	10.55	11.75	14.75	8.75	15.15	8
8.6	9.3	10.5	13.5	7.5	13.9	7
7.35	8.05	9.25	12.25	6.25	12.65	6
6.1	6.8	8	11	5	11.4	5
4.85	5.55	6.75	9.75	3.75	10.15	4
3.6	4.3	5.5	8.5	2.5	8.9	3
2.35	3.05	4.25	7.25	1.25	7.65	2
F	E	D	C	B	A	極数 CIRCUIT SIZE

① TABLE 1

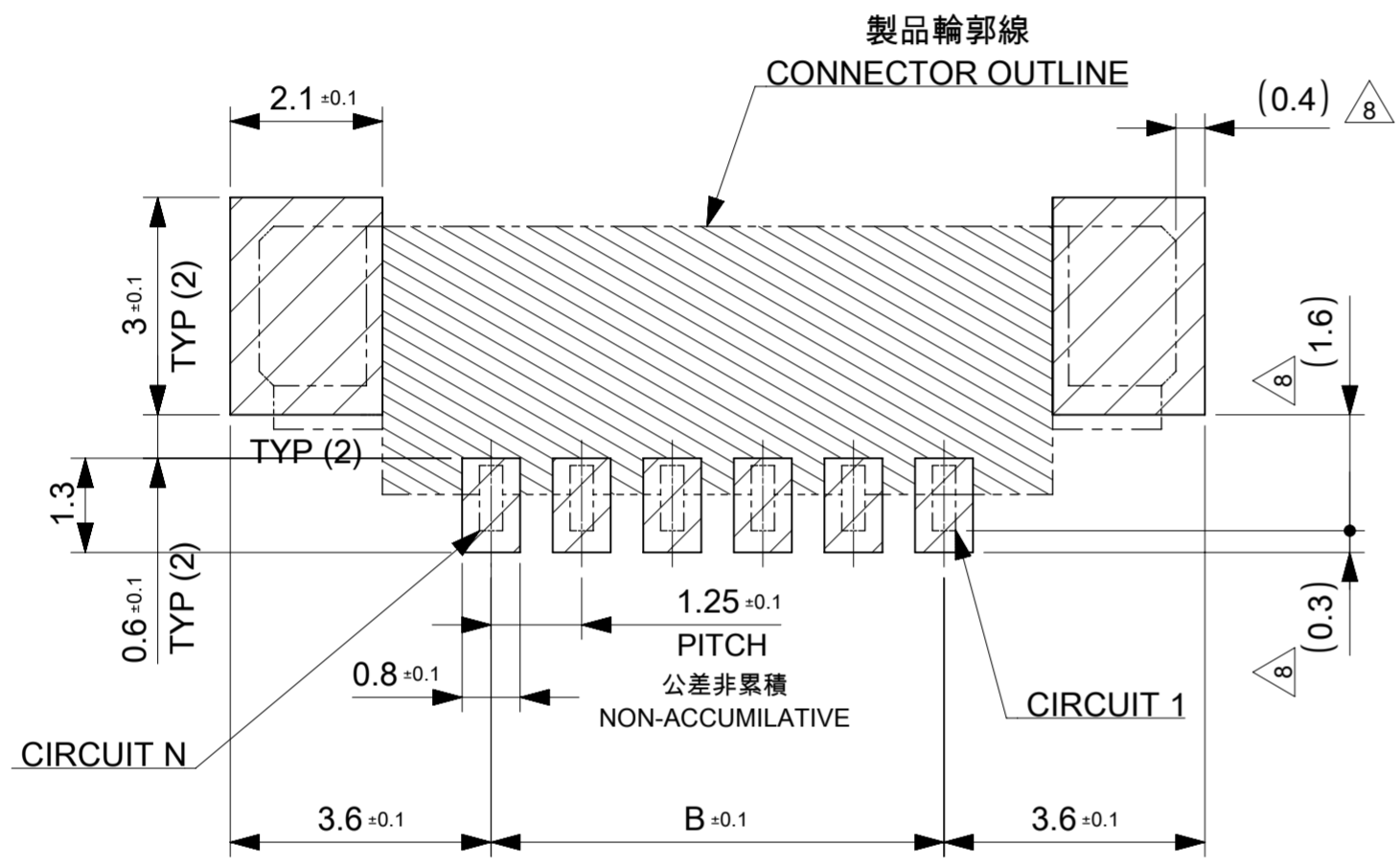
番号 NO.	部品 PART	材質 MATERIAL
①	ハウジング HOUSING	ポリアミド(PA), UL94V-0, GLASS-FILLED, 色: ナチュラル(ベージュ) POLYAMIDE(PA), UL94V-0, GLASS-FILLED, COLOR: NATURAL (BEIGE)
②	ターミナル TERMINAL	母材 MATERIAL りん青銅 PHOSPHOR BRONZE
	コンタクト部 CONTACT AREA	金めっき : めっき厚は注記15参照 GOLD PLATING PLATING THICKNESS : SEE NOTE 15.
	テール部 TAIL AREA	無光沢錫めっき 1.0 micro-meters MIN MATTE TIN PLATING 1.0 micro-meters MIN
	下地めっき UNDER PLATING	ニッケルめっき 1.0 micro-meters MIN NICKEL PLATING 1.0 micro-meters MIN
③	ネイル NAIL	母材 MATERIAL りん青銅 PHOSPHOR BRONZE
	テール部 TAIL AREA	無光沢錫めっき 1.0 micro-meters MIN MATTE TIN PLATING 1.0 micro-meters MIN
	下地めっき UNDER PLATING	ニッケルめっき 1.0 micro-meters MIN NICKEL PLATING 1.0 micro-meters MIN

THIS DRAWING CONTAINS INFORMATION THAT IS PROPRIETARY TO MOLEX ELECTRONIC TECHNOLOGIES, LLC AND SHOULD NOT BE USED WITHOUT WRITTEN PERMISSION

DIMENSION UNITS	SCALE	CURRENT REV DESC:
mm	NTS	
GENERAL TOLERANCES (UNLESS SPECIFIED)		
ANGULAR TOL	± 3.0°	
4 PLACES	± 0.2	EC NO: 643451
3 PLACES	± 0.2	DRWN: QHE31 2020/08/03
2 PLACES	± 0.2	CHK'D: SAKIYAMA 2021/05/27
1 PLACE	± 0.2	APPR: KOMURAKAMI 2021/05/27
0 PLACES	± 0.2	INITIAL REVISION:
DRAFT WHERE APPLICABLE MUST REMAIN WITHIN DIMENSIONS		
THIRD ANGLE PROJECTION	DRAWING	SERIES
	A2-SIZE	53398
DOCUMENT NUMBER		DOC TYPE DOC PART REVISION
533980002-SD		PSD 000 A
MATERIAL NUMBER	CUSTOMER	SHEET NUMBER
SEE CHART OF SHEET3	GENERAL	1 OF 4



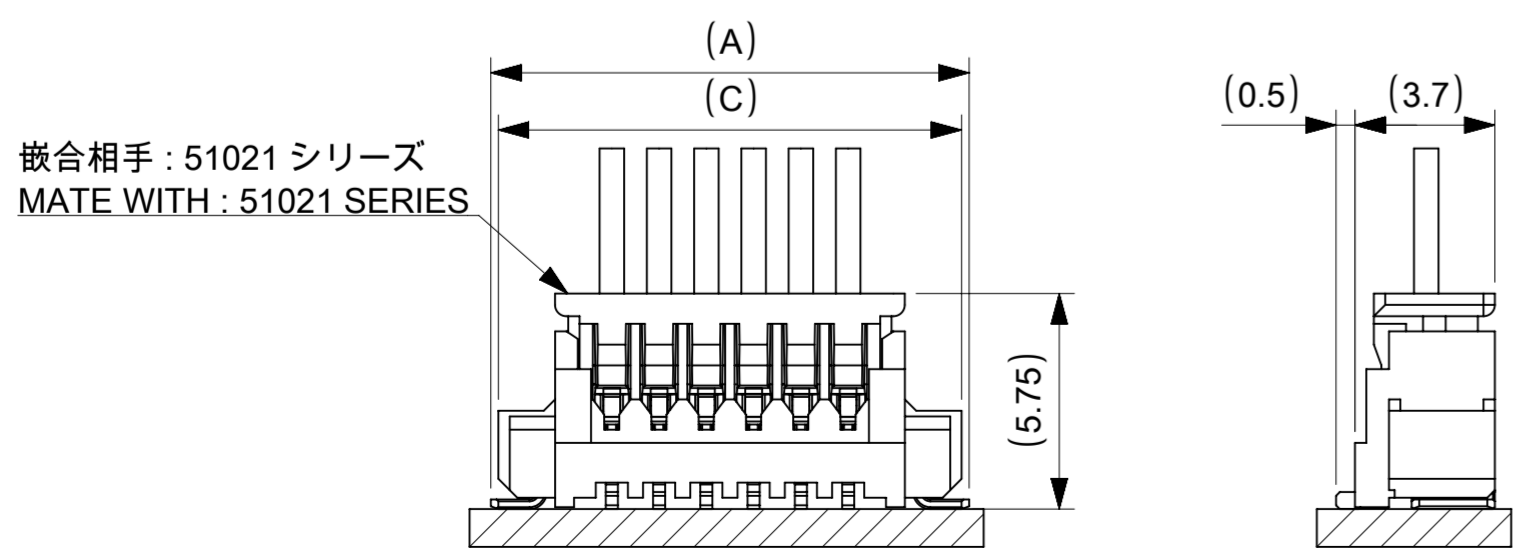
吸着面
VACUUM AREA



△9 推奨基板レイアウト (実装面側)
RECOMMENDED PCB LAYOUT : COMPONENT SIDE

(参考 : 基板厚 1.0 MILLIMETER, メタルマスク厚さ: 0.15 MILLIMETER, マスク開口率:100%)
(REFERENCE : PCB THICKNESS 1.0 MILLIMETER, STENCIL THICKNESS: 0.15 MILLIMETER, APERTURE:100%)

パターン非推奨エリア
PATTERN NOT RECOMMENDED AREA



嵌合図
MATED CONNECTORS

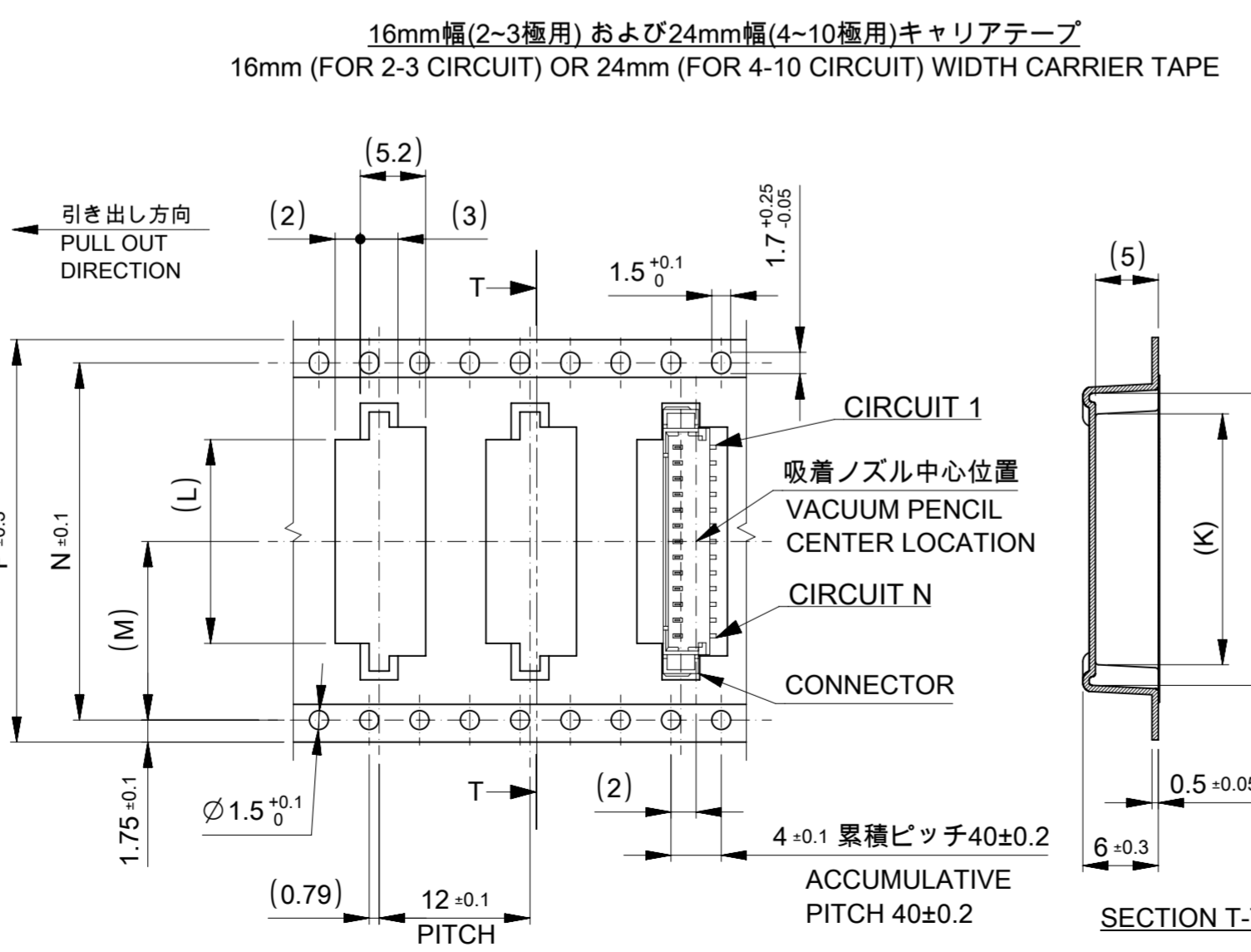
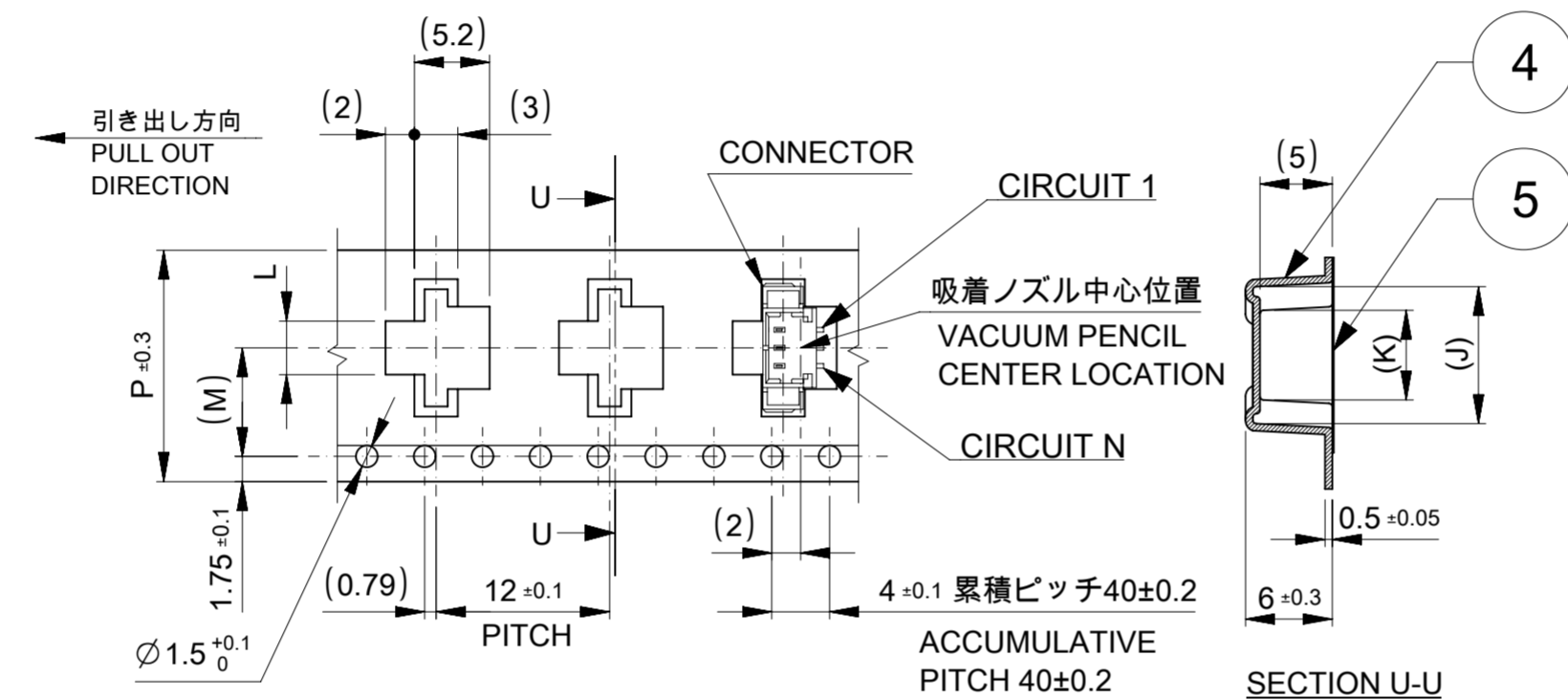
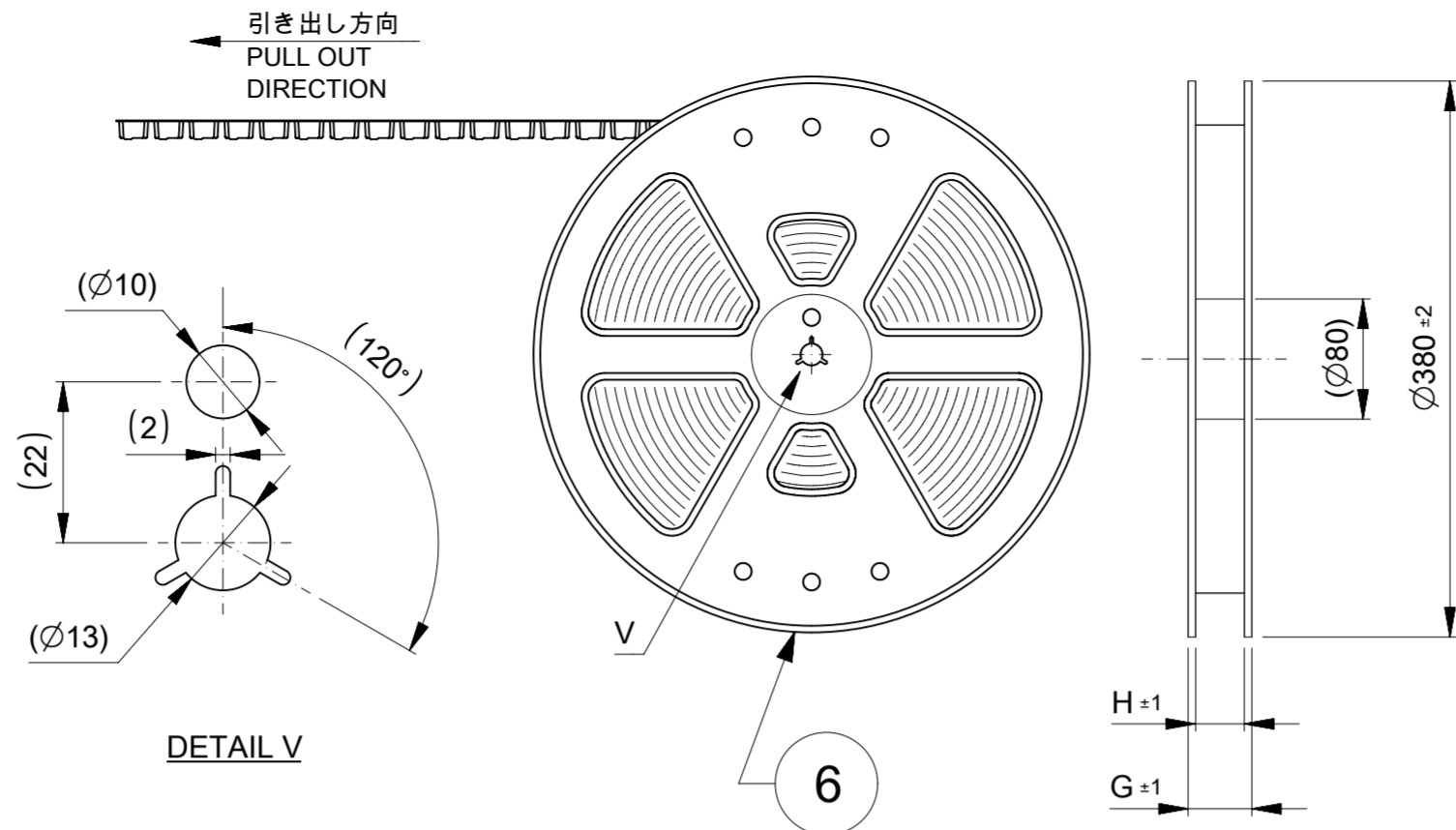
△8 コネクタ外形からパッドまでの寸法を示す。
DIMENSIONS FROM CONNECTOR OUTLINE TO PAD

△9 製品の基板実装部以外の金属露出部と基板パターンとの干渉、および製品と基板上の突起物との干渉が生じないようにご配慮をお願いいたします。
PLEASE TAKE CARE NOT TO CAUSE INTERFERENCE BETWEEN EXPOSED METAL PARTS EXCLUDING MOUNTING PORTION OF PRODUCT AND PWB PATTERN, AND INTERFERENCE BETWEEN PRODUCT AND PROTRUSIONS ON PWB.

18.6	19.3	20.5	23.5	17.5	23.9	15
17.35	18.05	19.25	22.25	16.25	22.65	14
16.1	16.8	18	21	15	21.4	13
14.85	15.55	16.75	19.75	13.75	20.15	12
13.6	14.3	15.5	18.5	12.5	18.9	11
12.35	13.05	14.25	17.25	11.25	17.65	10
11.1	11.8	13	16	10	16.4	9
9.85	10.55	11.75	14.75	8.75	15.15	8
8.6	9.3	10.5	13.5	7.5	13.9	7
7.35	8.05	9.25	12.25	6.25	12.65	6
6.1	6.8	8	11	5	11.4	5
4.85	5.55	6.75	9.75	3.75	10.15	4
3.6	4.3	5.5	8.5	2.5	8.9	3
2.35	3.05	4.25	7.25	1.25	7.65	2
F	E	D	C	B	A	極数 CIRCUIT SIZE

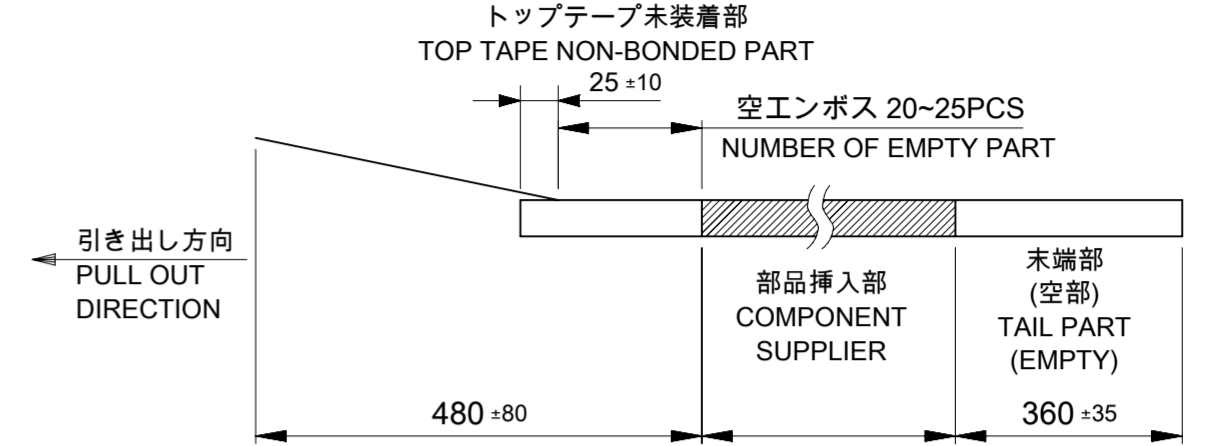
THIS DRAWING CONTAINS INFORMATION THAT IS PROPRIETARY TO MOLEX ELECTRONIC TECHNOLOGIES, LLC AND SHOULD NOT BE USED WITHOUT WRITTEN PERMISSION

DIMENSION UNITS mm	SCALE NTS	CURRENT REV DESC:	molex			
GENERAL TOLERANCES (UNLESS SPECIFIED)	ANGULAR TOL ± 3.0°	EC NO: 643451				
4 PLACES ± 0.2	DRWN: QHE31	2020/08/03	PRODUCT CUSTOMER DRAWING			
3 PLACES ± 0.2	CHK'D: SAKIYAMA	2021/05/27	DOCUMENT NUMBER			
2 PLACES ± 0.2	APPR: KOMURAKAMI	2021/05/27	533980002-SD			
1 PLACE ± 0.2	INITIAL REVISION:		DOC TYPE	DOC PART	REVISION	
0 PLACES ± 0.2	DRWN: QHE31	2020/08/03	PSD	000	A	
DRAFT WHERE APPLICABLE MUST REMAIN WITHIN DIMENSIONS	THIRD ANGLE PROJECTION	DRAWING	MATERIAL NUMBER	CUSTOMER	SHEET NUMBER	
		A2-SIZE	SEE CHART OF SHEET3	GENERAL	2 OF 4	



NOTES

- 10. 梱包数量 : 1000個/リール
NUMBER OF CONNECTOR : 1000PCS / REEL
- 11. リードテープ長さ
LEAD TAPE LENGTH



- 12. 材料 : TABLE 2 参照
MATERIAL : REFER TO TABLE 2
- 13. トップテープの剥離強度はIEC60286-3に準拠
TOP TAPE PELING FORCE IS DEFINED BY IEC60286-3.
- 14. 本製品は乾燥剤入り、ハイバリア梱包仕様による納品となります。
THIS PRODUCT IS DELIVERED IN A HIGH BARRIER PACKAGE WITH DESICCANT.

TABLE 2

番号 NO.	部品 PART	材質 MATERIAL
④	エンボステープ EMBOSSSED TAPE	ポリプロピレン(PP) POLYPROPYLENE(PP)
⑤	トップテープ TOP TAPE	ポリエチレン (PE)、その他 POLYETHYLENE (PE), ETC
⑥	リール REEL	ポリスチレン(PS)<リサイクル材を含む> POLYSTYRENE(PS)<RECYCLE MATERIAL CONTAINED >

15. 発注番号
ORDER NUMBER
53398*0**

極数 CIRCUIT	番号	接点部 金めっき厚 CONTACT GOLD PLATING THICKNESS
4	FLASH	
5	0.38 micro-meters MIN	

533985015	533984015	15
533985014	533984014	14
533985013	533984013	13
533985012	533984012	12
533985011	533984011	11
533985010	533984010	10
533985009	533984009	9
533985008	533984008	8
533985007	533984007	7
533985006	533984006	6
533985005	533984005	5
533985004	533984004	4
533985003	533984003	3
533985002	533984002	2

発注番号 ORDER NO.	梱包形態 : エンボステープ	極数 CIRCUIT

32mm幅(11~13極用) および44mm幅(13~15極用)キャリアテープ
32mm (FOR 11-13 CIRCUIT) OR 44mm (FOR 13-15 CIRCUIT) WIDTH CARRIER TAPE

44	40.4	20.2	18.7	20.8	24.5	45.4	49.4	15
			17.45	19.55	23.25			14
32	28.4	14.2	16.2	18.3	22	33.4	37.4	13
			13.7	15.8	19.5			12
			12.45	14.55	18.25			11
			11.2	13.3	17			10
			9.95	12.05	15.75			9
24	--	11.5	8.7	10.8	14.5	25.4	29.4	8
			7.45	9.55	13.25			7
			6.2	8.3	12			6
			4.95	7.05	10.75			5
			3.7	5.8	9.5			4
16	--	7.5	2.45	4.55	8.25	17.4	21.4	3
								2

THIS DRAWING CONTAINS INFORMATION THAT IS PROPRIETARY TO MOLEX ELECTRONIC TECHNOLOGIES, LLC AND SHOULD NOT BE USED WITHOUT WRITTEN PERMISSION

DIMENSION UNITS	SCALE	CURRENT REV DESC:
mm	NTS	
GENERAL TOLERANCES (UNLESS SPECIFIED)		
ANGULAR TOL	± 3.0°	
4 PLACES	± 0.2	EC NO: 643451
3 PLACES	± 0.2	DRWN: QHE31 2020/08/03
2 PLACES	± 0.2	CHK'D: SAKIYAMA 2021/05/27
1 PLACE	± 0.2	APPR: KOMURAKAMI 2021/05/27
0 PLACES	± 0.2	INITIAL REVISION:
		DRWN: QHE31 2020/08/03
		APPR: KOMURAKAMI 2021/05/27
DRAFT WHERE APPLICABLE MUST REMAIN WITHIN DIMENSIONS		
THIRD ANGLE PROJECTION		
DRAWING SERIES		
MATERIAL NUMBER CUSTOMER SHEET NUMBER		

molex

PICOBLADE 1.25
HEADER ASSY SMT VERTICAL GOLD PLATING TYPE

PRODUCT CUSTOMER DRAWING

DOCUMENT NUMBER: 533980002-SD
DOC TYPE: PSD
DOC PART: 000
REVISION: A

A2-SIZE 53398
SEE CHART OF SHEET3
GENERAL
3 OF 4

△ 2 適合製品および各種仕様書
 APPLICABLE PRODUCTS AND SPECIFICATIONS

梱包仕様書 PACKING SPECIFICATION	PART NUMBER		SPECIFICATION NUMBER	
	53398****		SPK-53398-002	
適合嵌合相手 MATE WITH	HOUSING	CRIMP TREMINAL		
	51021****	WIRE SIZE (AWG)	GOLD PLATING THICKNESS	PART NUMBER
		#28-32	FLASH	500588020
			0.38 micro-meters	500588025
		#26-28	FLASH	500798020
0.38 micro-meters	500798025			
製品仕様書 PRODUCT SPECIFICATION	510210001-PS PS 000			
アプリケーション仕様書 (取扱説明書) APPLICATION SPECIFICATION	510210000-AS PS 000			

THIS DRAWING CONTAINS INFORMATION THAT IS PROPRIETARY TO MOLEX ELECTRONIC TECHNOLOGIES, LLC AND SHOULD NOT BE USED WITHOUT WRITTEN PERMISSION									
DIMENSION UNITS	SCALE	CURRENT REV DESC:			molex				
mm	NTS								
GENERAL TOLERANCES (UNLESS SPECIFIED)					PICOBLADE 1.25 HEADER ASSY SMT VERTICAL GOLD PLATING TYPE				
ANGULAR TOL	± 3.0°	EC NO: 643451			PRODUCT CUSTOMER DRAWING				
4 PLACES	± 0.2	DRWN: QHE31 2020/08/03			DOCUMENT NUMBER				
3 PLACES	± 0.2	CHK'D: SAKIYAMA 2021/05/27			533980002-SD				
2 PLACES	± 0.2	APPR: KOMURAKAMI 2021/05/27			PSD 000 A				
1 PLACE	± 0.2	INITIAL REVISION:			DOC TYPE DOC PART REVISION				
0 PLACES	± 0.2	DRWN: QHE31 2020/08/03							
DRAFT WHERE APPLICABLE MUST REMAIN WITHIN DIMENSIONS		THIRD ANGLE PROJECTION	DRAWING	SERIES	MATERIAL NUMBER	CUSTOMER	SHEET NUMBER		
			A2-SIZE	53398		GENERAL	4 OF 4		