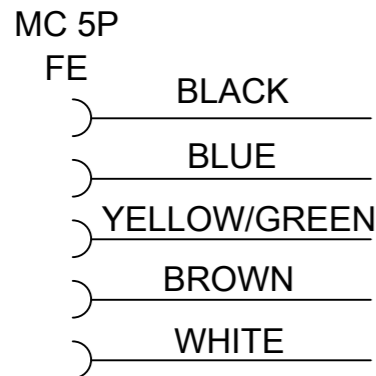
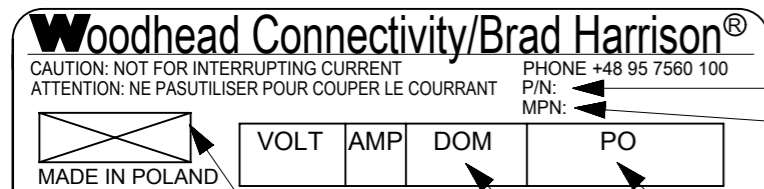


WIRING DIAGRAM



LABEL PRINTING



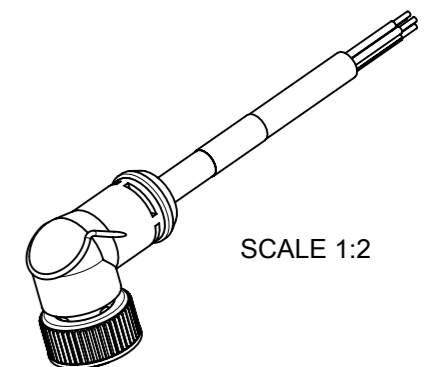
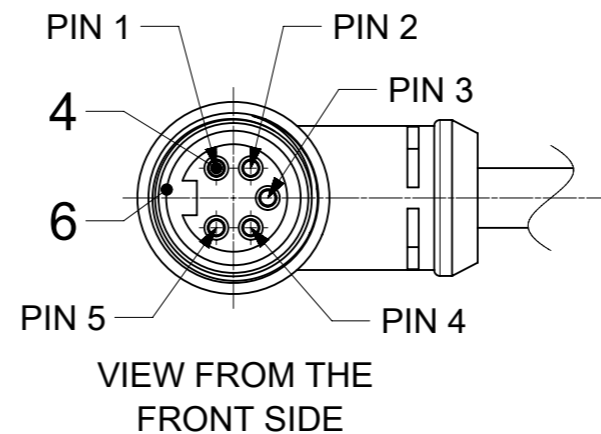
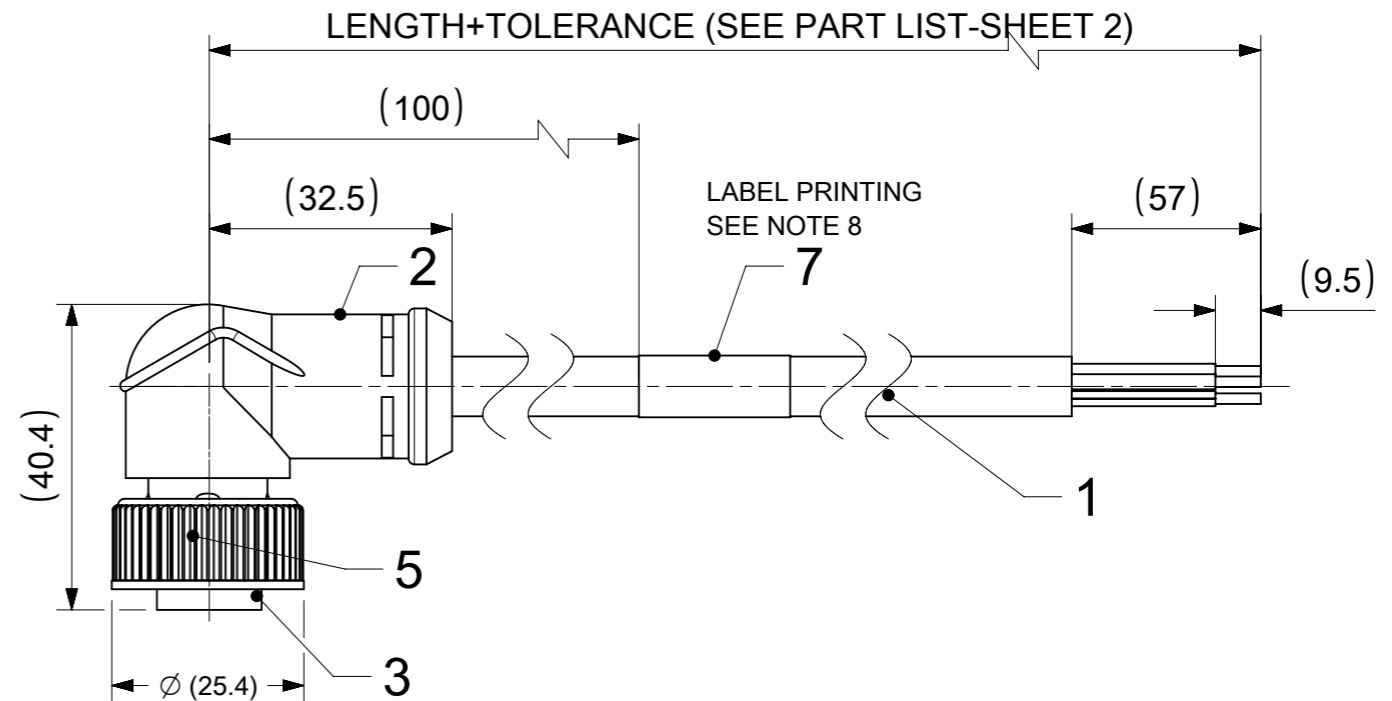
ENGINEERING NO.
MOLEX PN

PO NO.
PRODUCT. DATE

CERTIFICATION SYMBOLS

NOTES:

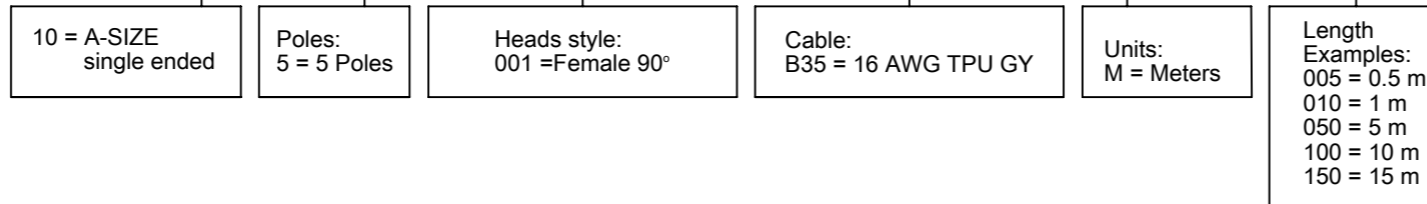
1. MATERIAL: AS NOTED
2. FINISH: AS NOTED
3. ELECTRICAL:
VOLTAGE: 600 V
CURRENT: 10 A
4. TEMPERATURE RATING:
STATIC: -40 °C TO 90 °C
DYNAMIC: -25 °C TO 80 °C
5. PROTECTION: IP67 (WHEN MATED)
6. UL CERTIFICATION: UL LISTED, FILE NO. E152210
7. BOM, PART LIST AND MATRIX - SEE SHEET 2
8. LABEL PRINTING ACC. STANDARD LABEL INSTRUCTION



| | | | | | | | | | |
|--|---|--------------------------|---|-------------------|----------------------------|-----------------|--|-----------------------|----------------------------------|
| FUNCTIONAL SYMBOLS | THIS DRAWING CONTAINS INFORMATION THAT IS PROPRIETARY TO MOLEX ELECTRONIC TECHNOLOGIES, LLC AND SHOULD NOT BE USED WITHOUT WRITTEN PERMISSION | | CURRENT REV DESC: NOTES UPDATED, LABEL PRINTING ADDED | | molex | | | | |
| | DIMENSION UNITS | SCALE | | | | | | | CSE MC 5P A-SIZE FE RA XM PUR SE |
| DIVISIONAL SYMBOLS | mm | 1:1 | GENERAL TOLERANCES (UNLESS SPECIFIED) | | PRODUCT CUSTOMER DRAWING | | | | |
| | 4 PLACES | ± | ANGULAR TOL ± 1.0° | | DOCUMENT NUMBER | | | | |
| | 3 PLACES | ± | EC NO: 747270 | | SD-130006-051 | | | | |
| | 2 PLACES | ± 0.05 | DRWN: RSCHEIBER 2023/04/20 | | DOC TYPE DOC PART REVISION | | | | |
| | 1 PLACE | ± 0.3 | CHK'D: RSILLER 2023/04/27 | | PSD 001 A4 | | | | |
| 0 PLACES ± 0.5 | | APPR: RSILLER 2023/04/27 | | INITIAL REVISION: | | MATERIAL NUMBER | | CUSTOMER | |
| DRAFT WHERE APPLICABLE MUST REMAIN WITHIN DIMENSIONS | | THIRD ANGLE PROJECTION | | DRAWING | | SERIES | | SHEET NUMBER | |
| | | A3-SIZE | | 130006 | | SEE SHEET 2 | | GENERAL MARKET 1 OF 2 | |

PART No. MATRIX

1 0 5 0 0 1 B 3 5 M X X X



PART LIST

| MOLEX PN | ENGINEERING NO. | L + Tol. [mm] |
|------------|-----------------|---------------|
| 1300068174 | 105001B35M020 | 2000 + 89 |
| 1300068175 | 105001B35M050 | 5000 + 165 |
| 1300068176 | 105001B35M100 | 10000 + 317 |
| 1300068177 | 105001B35M200 | 20000 + 610 |
| 1300068178 | 105001B35M300 | 30000 + 610 |
| 1300068274 | 105001B35M010 | 1000 +56 |

BILL OF MATERIAL

| ITEM | QTY | DESCRIPTION | MATERIAL | FINISH/COLOR |
|-----------------|-----|----------------------|---------------------|------------------|
| 7 | 1 | LABEL | VINYL | YELLOW |
| 6 | 1 | FRICTION RING | NYLON | - |
| 5 | 1 | COUPLINGNUT | ZINC DIE-CAST | BLACK E-COAT |
| 4 | 5 | FEMALE CONTACT | Cu ALLOY | GOLD OVER NICKEL |
| 3 | 1 | INSERT | PUR | BLACK |
| 2 | - | OVERMOLD | TPE | BLACK |
| 1 | - | CABLE 16AWG OD=8.5mm | TPU | GRAY |
| DOCUMENT STATUS | P1 | RELEASE DATE | 2023/04/27 12:11:50 | |

| | | | | | | | |
|---|---|--|---|-----------------|---|----------------|--------------|
| FUNCTIONAL SYMBOLS $\nabla/A = 0$ $\nabla/E = 0$ $\nabla/P = 0$ | THIS DRAWING CONTAINS INFORMATION THAT IS PROPRIETARY TO MOLEX ELECTRONIC TECHNOLOGIES, LLC AND SHOULD NOT BE USED WITHOUT WRITTEN PERMISSION | | CURRENT REV DESC: NOTES UPDATED, LABEL PRINTING ADDED | | <p>CSE MC 5P A-SIZE FE RA XM PUR SE</p> <p>PRODUCT CUSTOMER DRAWING</p> | | |
| | DIMENSION UNITS | SCALE | EC NO: 747270 | | | | |
| | mm | 1:1 | DRWN: RSCHIEBER | 2023/04/20 | | | |
| | GENERAL TOLERANCES (UNLESS SPECIFIED) | | CHK'D: RSILLER | 2023/04/27 | | | |
| ANGULAR TOL $\pm 1.0^\circ$ | | APPR: RSILLER | 2023/04/27 | DOCUMENT NUMBER | DOC TYPE | DOC PART | REVISION |
| 4 PLACES \pm | | INITIAL REVISION: | | SD-130006-051 | PSD | 001 | A4 |
| 3 PLACES \pm | | DRWN: RSTONE | | 2013/12/09 | | | |
| 2 PLACES ± 0.05 | | APPR: JFMURPHY | | 2013/12/16 | | | |
| 1 PLACE ± 0.3 | | DRAFT WHERE APPLICABLE MUST REMAIN WITHIN DIMENSIONS | | | | | |
| 0 PLACES ± 0.5 | | THIRD ANGLE PROJECTION | DRAWING | SERIES | MATERIAL NUMBER | CUSTOMER | SHEET NUMBER |
| | | | A3-SIZE | 130006 | SEE SHEET 2 | GENERAL MARKET | 2 OF 2 |