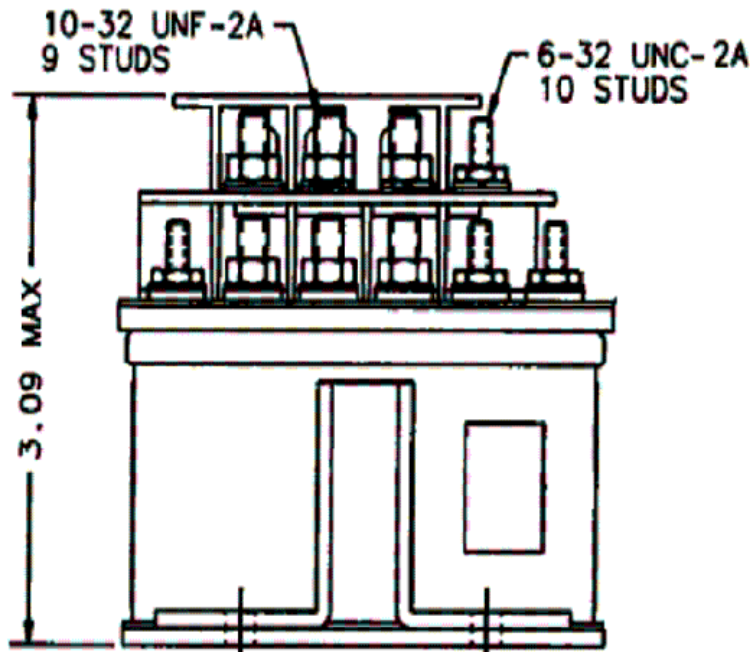
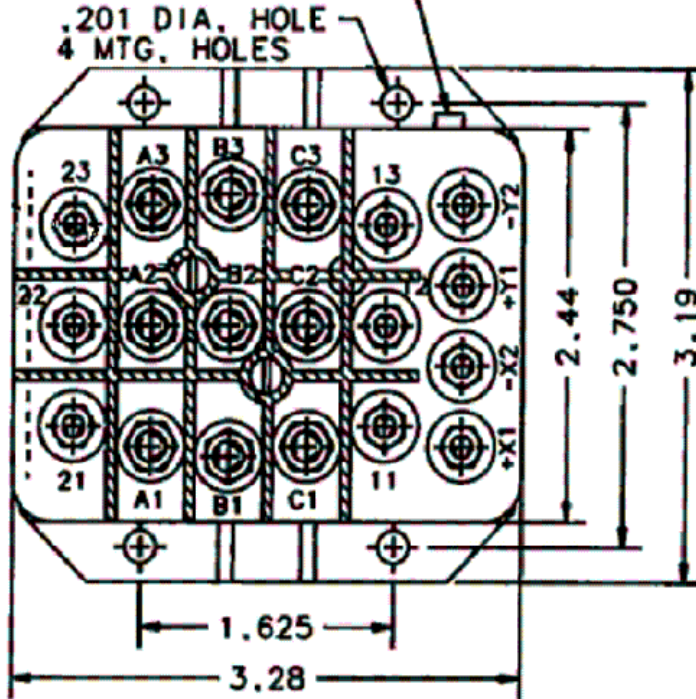


D-18T
 RELAY-3PDT CENTER OFF
 25 AMP, 115/200 VAC, 400Hz

REVISIONS

REV.	ECO	DESCRIPTION	DATE	APPROVED
C	39472	FIND 12 WAS 51205-411	19MAY1999	RSS

VENT LOCATION OPTIONAL



ALL DIMENSIONS ARE IN INCHES

TE
 TE CONNECTIVITY
 175 N. DIAMOND STREET MANSFIELD,
 OHIO 44902

TITLE

RELAY-3PDT CENTER OFF
 25 AMP, 115/200 VAC, 400Hz

TE P.N.

1616048-5

DWG NO.

D-18T

DS DATA SHEET

CAGE CODE
 74063

SCALE
 NONE

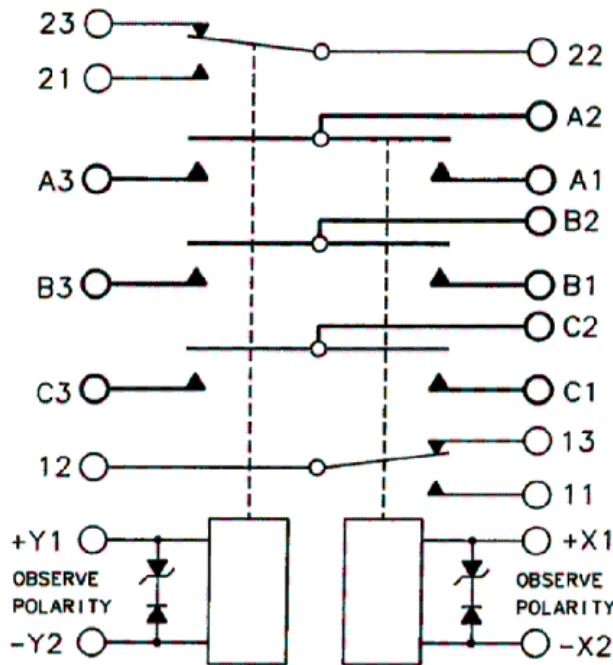
SHEET
 1 OF 2

REV
 C

GENERAL SPECIFICATION

CONSTRUCTION	GASKET SEALED, VENTED
MAIN CONTACTS	
CONFIGURATION	3PDT CENTER OFF
VOLTAGE (NOMINAL)	115/200 VAC
CURRENT: RES	25 AMP
IND	25 AMP
MOTOR	25 AMP
AUX CONTACTS	2PDT
CURRENT: RES	5 AMP
IND	3 AMP
LAMP	1.0 AMP
COIL DATA	
DUTY CYCLE	CONTINUOUS
MIN OPER. VOLTAGE	18 VDC AT 71°C
MAX OPER. VOLTAGE	32 VDC
DROPOUT VOLTAGE	1.5V TO 7V
RESISTANCE	175 OHMS ±20%
TRANSIENT SUPPRESSION	±42 VOLTS
ENVIRONMENTAL DATA	
OPERATING TEMP.	-55°C TO +71°C
LIFE ELECTRICAL	50,000 CYCLES MIN EACH SIDE
MAX WEIGHT	1 LB 3 OZ

SCHEMATIC



TE CONNECTIVITY
175 N, DIAMOND STREET MANSFIELD,
OHIO 44902

TITLE

RELAY-3PDT CENTER OFF
25 AMP, 115/200 VAC, 400Hz

TE P.N.

1616048-5

DWG NO.

D-18T

DS

DATA SHEET

CAGE CODE
74063

SCALE
NONE

SHEET
2 OF 2

REV
C