

4

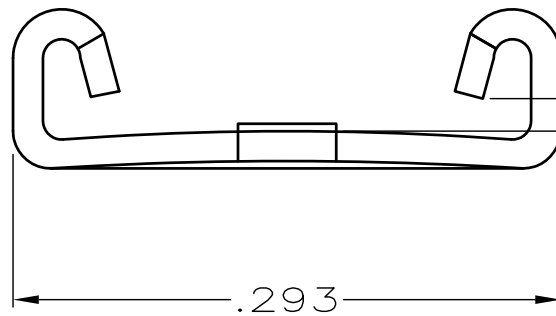
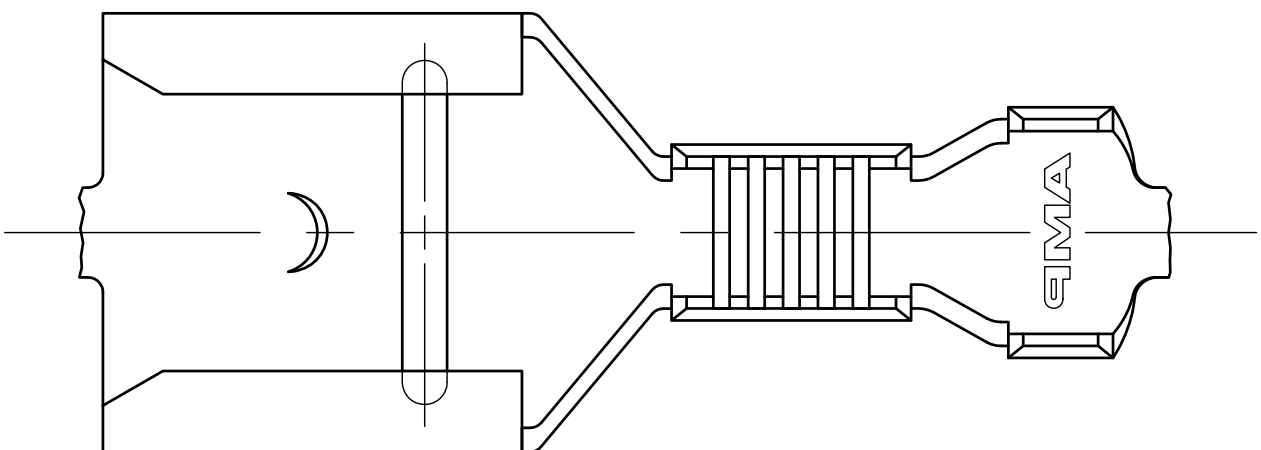
3

2

1

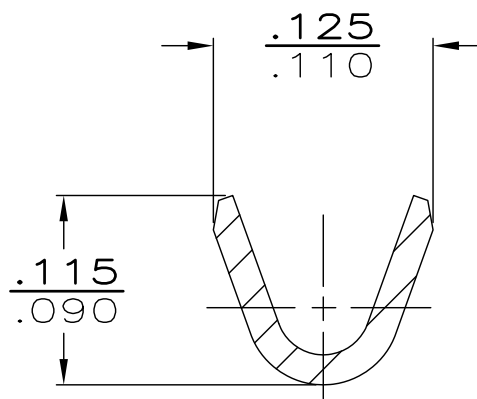
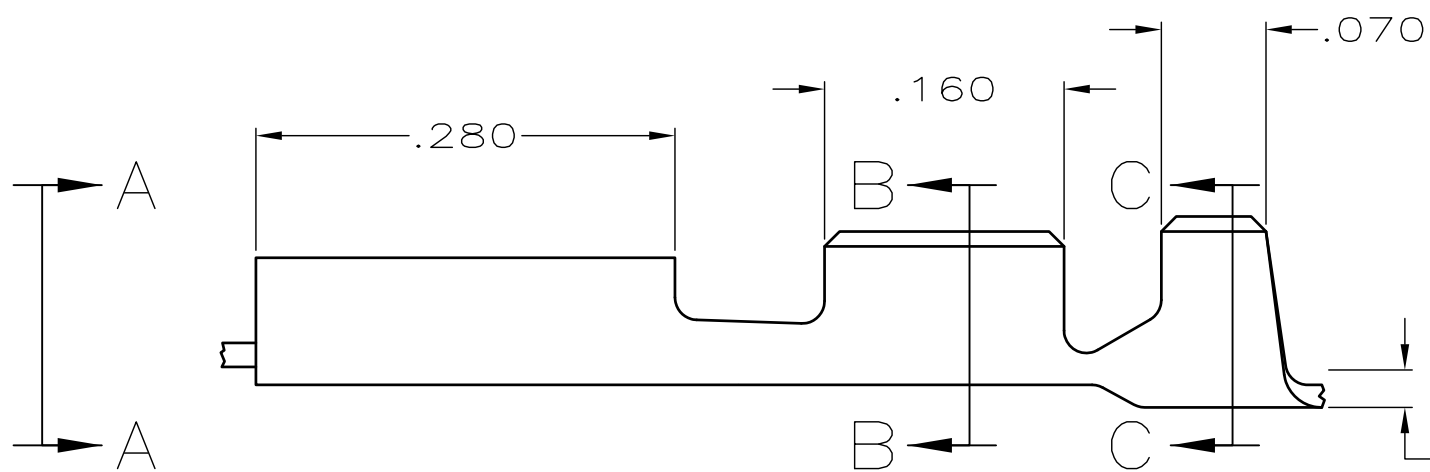
THIS DRAWING IS UNPUBLISHED. RELEASED FOR PUBLICATION  
 © COPYRIGHT - By TYCO ELECTRONICS CORPORATION. ALL RIGHTS RESERVED.

LOC	DIST	REVISIONS			
P	LTR	DESCRIPTION	DATE	DWN	APVD
AF	50				
	D	REVISE PER ECR-13-013738	15FEB2014	GRZ	JL

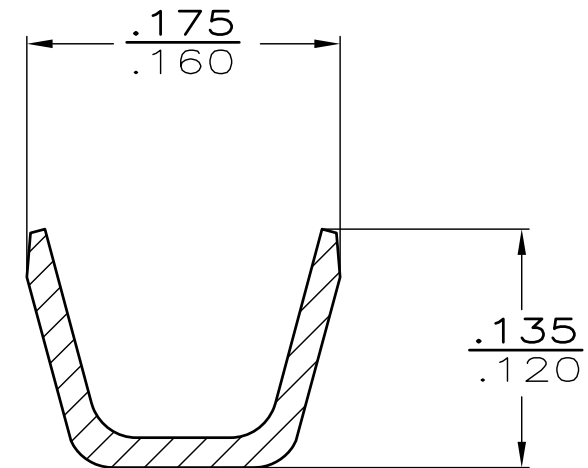


FITS .025 x "250" SERIES FASTON TAB

VIEW A-A



SECTION B-B



SECTION C-C

- 1 WIRE RANGE:  
#23-19 OR 24-26 DOUBLE MAGNET WIRE
- 2 INSULATION RANGE:  
.050 OR (2).050 SIDE BY SIDE

62069-1  
PART NUMBER

THIS DRAWING IS A CONTROLLED DOCUMENT.		DWN	DK SCHRUM	5/24/89	<b>TE</b> TE Connectivity	
		CHK	JR RUTH	7/2/89		
DIMENSIONS: INCHES		TOLERANCES UNLESS OTHERWISE SPECIFIED:		NAME		
		0 PLC ± -		RECEPTACLE, AMPLIVAR, FASTON, "250" SERIES		
		1 PLC ± -				
		2 PLC ± -				
		3 PLC ± .015				
4 PLC ± -		APVD		SIZE		
ANGLES ± -		7/3/89 C MEYERS		CAGE CODE		
MATERIAL		PRODUCT SPEC		DRAWING NO		
BRASS		7/3/89 R KUZO		A300779 C-62069		
FINISH		APPLICATION SPEC		RESTRICTED TO		
-		-		-		
CUSTOMER DRAWING				WEIGHT	SCALE	8:1
				-	SHEET	1 OF 1
					REV	D