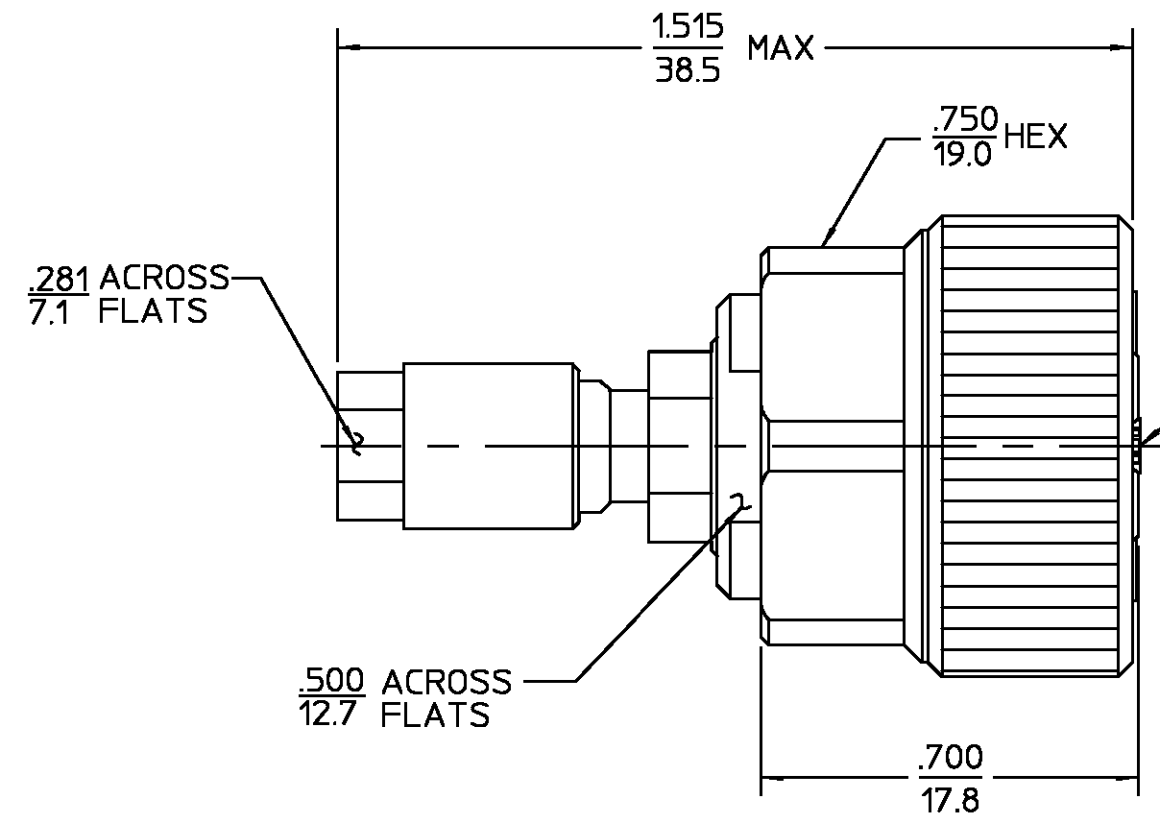


DESIGNED FOR USE WITH .141 SR.	
CABLE ENTRY DIAMETER MINIMUM	
CONTACT	.036
CLAMP RING	.115
CLAMP NUT	.144
FERRULE	.153

REVISIONS			
REV	DESCRIPTION	DATE	APPROVED
01 ₂	REVISED	PATLAN 5-04-98	<i>[Signature]</i> 8/24/1998
B	PER EC 0U20-0116-01-05	19NOV01	<i>[Signature]</i> 19NOV01



BUSHING	STAINLESS STEEL PER ASTM-A484 AND ASTM- A582, TYPE 303	GOLD PLATE PER MIL-G-45204
COUPLER HSG INNER SLEEVE CLAMP NUT	STAINLESS STEEL PER ASTM-A484 AND ASTM- A582, TYPE 303	ELECTRO-POLISHED
HOUSING CLAMP NUT RIVET	STAINLESS STEEL PER ASTM-A484 AND ASTM- A582, TYPE 303	PASSIVATE PER QQ-P-35
DIELECTRIC	PTFE FLUOROCARBON PER ASTM-D-1457	N/A
CONTACT EXT. & PLUG. HSG.	BERYLLIUM COPPER PER ASTM-B-196 OR ASTM-B-197, ALLOY C17300, CONDITION H	GOLD PLATE PER MIL-G-45204
FERRULE	BERYLLIUM COPPER PER ASTM-B-194, ALLOY C17200, CONDITION H	GOLD PLATE PER MIL-G-45204
CENTER CONTACT	BRASS PER ASTM-B-16, HALF HARD	GOLD PLATE PER MIL-G-45204
COMPONENT	MATERIAL	FINISH

UNLESS OTHERWISE SPECIFIED
DIMENSIONS ARE IN INCHES

FRAC. DEC. ANGLES
= 1/64 = .005 = 1°

These drawings and speci-
fications are the property of
M/A COM Interconnect Div.
and shall not be reproduced
or copied or used in whole
or in part as the basis for
the manufacture or sale of
item(s) without written
permission.

DRAWN BY GK	DATE 03-02-79	AMP	AMP Incorporated	
CHECKED BY CBH	03-02-79		140 Fourth Avenue	
APP'D BY GH	03-02-79		Waltham, MA 02451-7599	
USE ASSY PROCEDURE	TITLE	7mm STRAIGHT CABLE PLUG CLAMP ATTACHMENT		
NO. A.P. 408-04879 (70-001)	SIZE B	CODE IDENT NO. 26805	7301-5038-02	REV 01 ₂
	SCALE 3:1			SHEET 1 OF 1

NOTES:
1. CAPTURED CENTER CONTACT

.XXX = in
XX.X = mm (REF)