



PIDG

TE Internal #: 171505-3

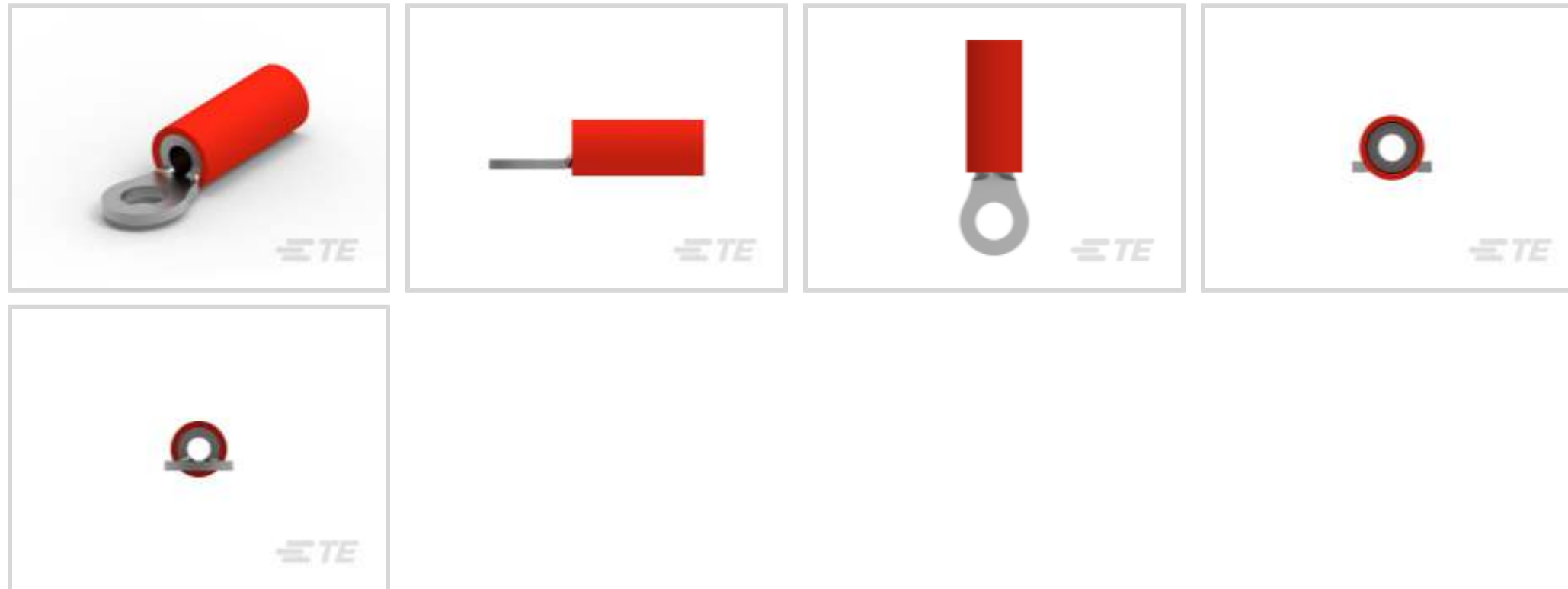
Ring Terminals & Spade Terminals, Ring Tongue, 22 – 18 AWG

Wire Size, .3 – 1.42 mm<sup>2</sup> Wire Size, 509 – 3260 CMA Wire Size, Stud

Size #4 / M2.5, PIDG

[View on TE.com >](#)

Terminals & Splices > Ring Terminals & Spade Terminals



Ring & Spade Terminal Type: **Ring Tongue**

Wire Size: **509 – 3260 CMA**

Stud Size: **#4, M2.5**

**Features**

**Product Type Features**

|  |                    |
|--|--------------------|
| Stud Size                              | #4, M2.5           |
| Sealable                               | No                 |
| Wire Insulation Support Retention Type | Insulation Support |

**Configuration Features**

|                 |   |
|-----------------|---|
| Number of Holes | 1 |
|-----------------|---|

**Electrical Characteristics**

|                |       |
|----------------|-------|
| Voltage Rating | 300 V |
|----------------|-------|

**Body Features**

|                         |     |
|-------------------------|-----|
| Insulation Sleeve Color | Red |
| Stripe Color            | Red |

**Contact Features**

|                            |             |
|----------------------------|-------------|
| Ring & Spade Terminal Type | Ring Tongue |
| Barrel Type                | Closed      |
| Terminal Orientation       | Straight    |
| Terminal Plating Material  | Tin         |



### Mechanical Attachment

|                         |      |
|-------------------------|------|
| Wire Insulation Support | With |
|-------------------------|------|

### Dimensions

|                                      |                               |
|--------------------------------------|-------------------------------|
| Wire Size                            | 509 – 3260 CMA                |
| Stud Diameter                        | 3 mm[.118 in]                 |
| Tongue Thickness                     | .79 mm[.031 in]               |
| Product Length                       | 16.46 mm[.642 in]             |
| Compatible Insulation Diameter (Max) | 3.18 mm[.125 in]              |
| Compatible Insulation Diameter Range | 2.03 – 3.18 mm[.08 – .125 in] |

### Usage Conditions

|                             |                     |
|-----------------------------|---------------------|
| Insulation Option           | Partially Insulated |
| Operating Temperature Range | 105 °C[221 °F]      |

### Operation/Application

|                                       |        |
|---------------------------------------|--------|
| Compatible With Wire Base Material    | Copper |
| Compatible With Wire Plating Material | Tin    |

### Industry Standards

|                               |    |
|-------------------------------|----|
| Government Qualified Terminal | No |
|-------------------------------|----|

### Packaging Features

|                    |     |
|--------------------|-----|
| Packaging Quantity | 100 |
| Packaging Method   | Bag |

### Product Compliance

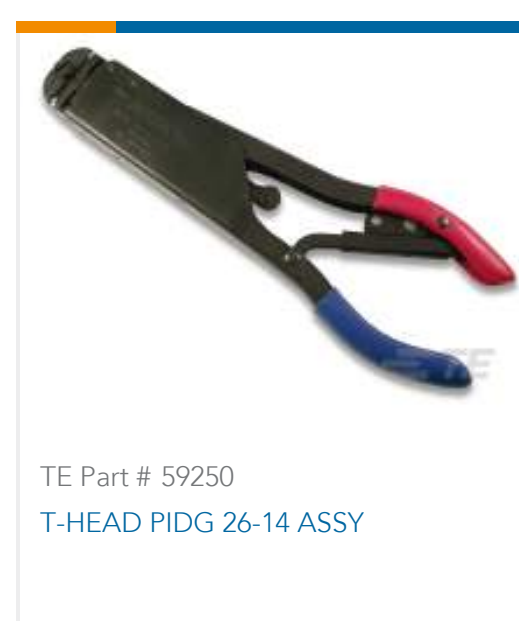
[For compliance documentation, visit the product page on TE.com>](#)

|   |  |
|---|--|
| EU RoHS Directive 2011/65/EU                  | Compliant  |
| EU ELV Directive 2000/53/EC                   | Compliant  |
| China RoHS 2 Directive MIIT Order No 32, 2016 | No Restricted Materials Above Threshold  |
| EU REACH Regulation (EC) No. 1907/2006        | Current ECHA Candidate List: JUNE 2023 (235)<br>Candidate List Declared Against: JAN 2022 (223)<br>Does not contain REACH SVHC |
| Halogen Content                               | Not Low Halogen - contains Br or Cl > 900 ppm.   |
| Solder Process Capability                     | Not applicable for solder process capability   |

## Product Compliance Disclaimer

This information is provided based on reasonable inquiry of our suppliers and represents our current actual knowledge based on the information they provided. This information is subject to change. The part numbers that TE has identified as EU RoHS compliant have a maximum concentration of 0.1% by weight in homogenous materials for lead, hexavalent chromium, mercury, PBB, PBDE, DBP, BBP, DEHP, DIBP, and 0.01% for cadmium, or qualify for an exemption to these limits as defined in the Annexes of Directive 2011/65/EU (RoHS2). Finished electrical and electronic equipment products will be CE marked as required by Directive 2011/65/EU. Components may not be CE marked. Additionally, the part numbers that TE has identified as EU ELV compliant have a maximum concentration of 0.1% by weight in homogenous materials for lead, hexavalent chromium, and mercury, and 0.01% for cadmium, or qualify for an exemption to these limits as defined in the Annexes of Directive 2000/53/EC (ELV). Regarding the REACH Regulation, the information TE provides on SVHC in articles for this part number is based on the latest European Chemicals Agency (ECHA) 'Guidance on requirements for substances in articles' posted at this URL: <https://echa.europa.eu/guidance-documents/guidance-on-reach>

## Compatible Parts



## Also in the Series | PIDG



Compression Connectors(17)



Crimp Terminal Housings(1)



Crimp Wire Pins, Tabs & Ferrules(40)



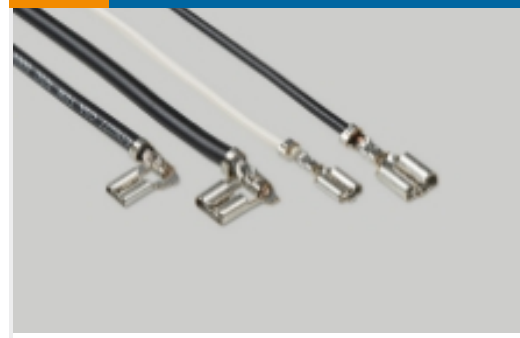
Hand Crimping Tools(2)



Knife Disconnects(11)



PCB Terminals(9)



Quick Disconnects(49)



Ring Terminals & Spade Terminals(861)



Special Purpose Terminals(1)



Splices(47)

## Customers Also Bought



TE Part #1-1609034-2  
6VSB1=F8330



TE Part #1658615-4  
09 POS HDF PLUG, AP, LEAD FREE



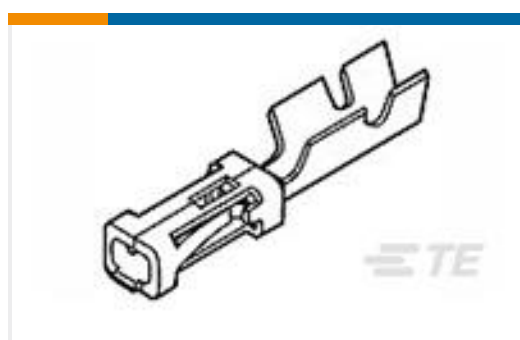
TE Part #6-6609959-6  
PM0S0DBX0=C5280



TE Part #1-1393788-1  
V23079A1003B301



TE Part #1827570-2  
DYNAMIC D1000 REC CONT M AU  
0.38um FORM



TE Part #87309-9  
MOD V RECP PLTD 30 AU



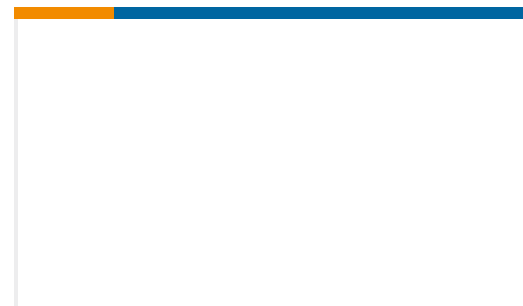
TE Part #NB07066001  
BATTU-12.7/6.1-A1-0-32MM



TE Part #NB07086001  
BATTU-12.7/6.1-A1-2-32MM



TE Part #36254  
PIDG R 22-16COMM 22-18MIL .128



TE Part #1423696-6  
NUT,M11-1,HEX,14.0,STEEL

## Documents

### Product Drawings

[PIDG RING UL.CSA\(22-18\)](#)

English

### CAD Files

[3D PDF](#)

3D

Customer View Model

[ENG\\_CVM\\_CVM\\_171505-3\\_C.2d\\_dxf.zip](#)

English

Customer View Model

[ENG\\_CVM\\_CVM\\_171505-3\\_C.3d\\_igs.zip](#)

English

Customer View Model

[ENG\\_CVM\\_CVM\\_171505-3\\_C.3d\\_stp.zip](#)

English

By downloading the CAD file I accept and agree to the [Terms and Conditions](#) of use.

### Product Specifications

[Application Specification](#)

English

### Product Environmental Compliance

[TE Material Declaration](#)

English