

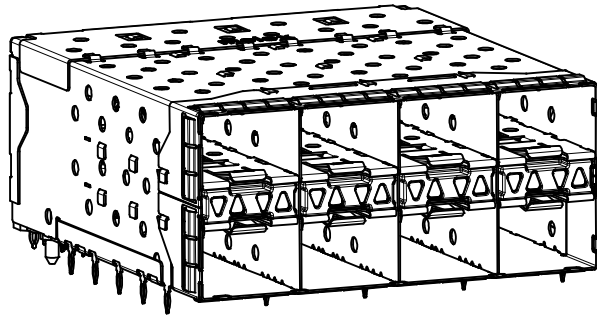
NOTES

- MATERIAL:**
 CAGE: NICKEL SILVER, THICKNESS: 0.25mm
 CONNECTOR HOUSING: GLASS FILLED LIQUID CRYSTAL POLYMER (LCP), UL 94V-0, COLOR: BLACK
 OVERMOLD TERMINAL HOUSING: GLASS FILLED LIQUID CRYSTAL POLYMER (LCP), UL 94V-0, COLOR: BLACK
 TERMINALS: TIN BRASS
 EMI GASKET: CONDUCTIVE ELASTOMER
 LIGHTPIPE HOUSING: ZINC
 LIGHTPIPES: POLYCARBONATE, COLOR: CLEAR
- FINISHES:**
 TERMINALS: CONTACT AREA - 0.76 MICROMETERS MINIMUM HARD GOLD OVER 1.27 MICROMETERS MINIMUM NICKEL.
 COMPLIANT TAIL - 0.76 TO 1.52 MICROMETERS MATTE TIN OVER 0.76 MICROMETERS MINIMUM NICKEL.
 LIGHTPIPE HOUSING: 80 MICROMETERS MINIMUM NICKEL OVER COPPER
- REFER TO PS-75310-001 PRODUCT SPEC FOR ALL ELECTRICAL, MECHANICAL, AND ENVIRONMENTAL SPECIFICATIONS.
- LIGHTPIPE PAD LAYOUT IS FOR 0805 LOW-PROFILE LED PACKAGE. FOR OTHER RECOMMENDED LAYOUTS REFER TO MOLEX'S REPORT TS-75310-001.
- REFER TO PK-75450-001 FOR ALL PACKAGING SPECIFICATIONS.
- THE SURFACES CONFORM TO THE MOLEX COSMETIC SPEC PS-45499-002. ALL EXTERIOR SURFACES TO BE CLASS "B" SURFACE EXCEPT THE UNDERSIDE (CLASS "C") OF THE CAGE (SIDE TOWARD THE PCB) AND AS OTHERWISE NOTED.
- THE OVERALL CAGE WIDTH AT THE VERTICAL CENTER OF THE FRONT EDGE WILL FALL WITHIN THIS DIMENSION: 57.80+/-0.30 MM. THIS PORTION OF THE CAGE WILL FLEX INWARD AS THE CAGE IS BEING INSERTED INTO THE BEZEL OPENING.
- REFER TO AS-76090-001 FOR HIGH SPEED ROUTING RECOMMENDATIONS.
- DATE CODE LOCATION IS SHOWN ABOVE.
 DATE CODE FORMAT: DDDY MX A1
 DDD = DAY OF THE YEAR
 Y = YEAR
 MX = MOLEX
 A = ALPHA CHARACTER - INDICATES MANUFACTURING LINE
 1 = NUMERIC CHARACTER - INDICATES PRODUCTION SHIFT

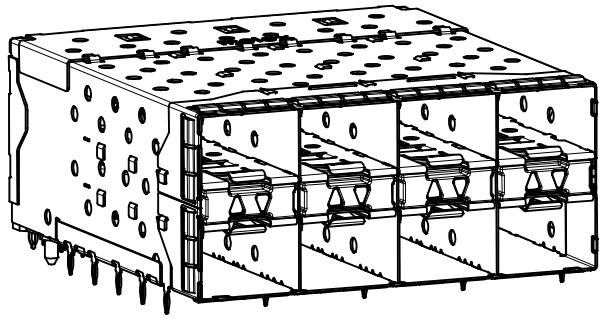
ENHANCED EMI VERSION

PART NUMBER	LIGHTPIPE CONFIGURATION (SEE VIEWS ON SHEET 2)
760467101	4 LIGHT PORTS
	INNER 2 PORTS
	OUTER 2 PORTS

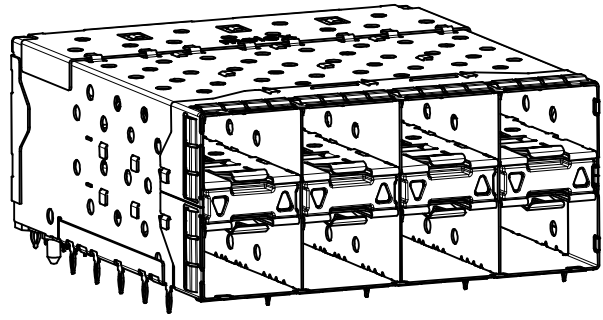
INITIAL RELEASE EC NO: UCP2015-2383 DRWN:BBARKER 2014/12/09 CHKD:TIBARRA 2014/12/09 APPR:SMILLER 2015/03/17	QUALITY SYMBOLS ▽=0 ▽=0 ▽=0	GENERAL TOLERANCES (UNLESS SPECIFIED)		DIMENSION STYLE MM ONLY		SCALE 3:1	DESIGN UNITS METRIC	THIRD ANGLE PROJECTION		
		mm	INCH	DRAWN BY BBARKER	DATE 2014/12/09	STACKED SFP+ 2X4 ASS'Y W/ METAL EMI GASKET AND LIGHTPIPES, ENHANCED EMI 				
		4 PLACES ± ---	± ---	CHECKED BY	DATE					
		3 PLACES ± ---	± ---	APPROVED BY	DATE	MATERIAL NO.	DOCUMENT NO.	SHEET NO.		
2 PLACES ± 0.13	± ---	SEE TABLE		RSD-76046-0003		1 OF 5				
1 PLACE ± 0.25	± ---	DRAFT WHERE APPLICABLE MUST REMAIN WITHIN DIMENSIONS								
0 PLACE ±	±	THIS DRAWING CONTAINS INFORMATION THAT IS PROPRIETARY TO MOLEX INCORPORATED AND SHOULD NOT BE USED WITHOUT WRITTEN PERMISSION								



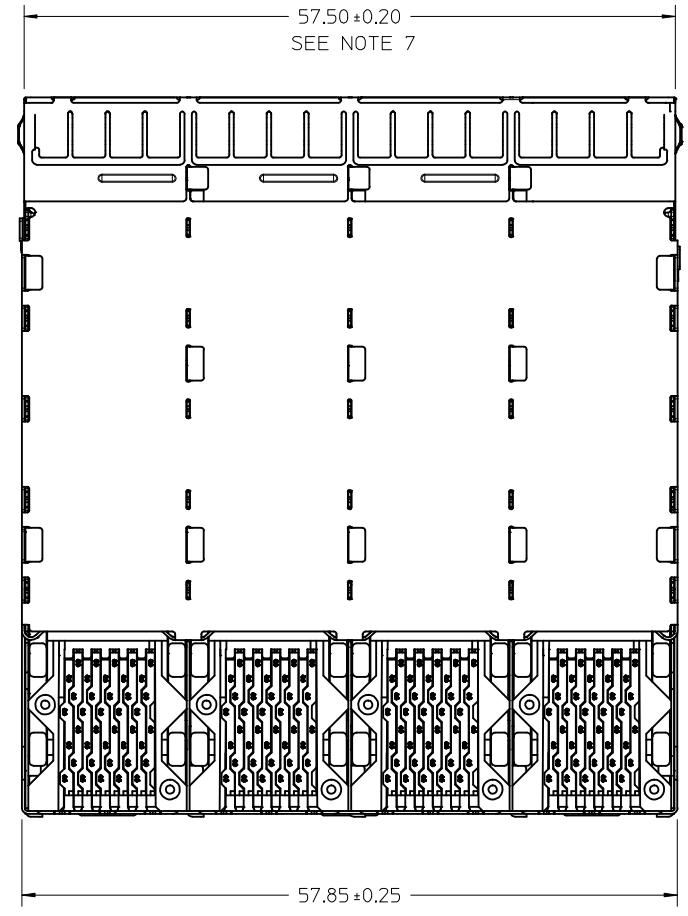
760467101
WITH INNER AND OUTER LIGHTPIPES



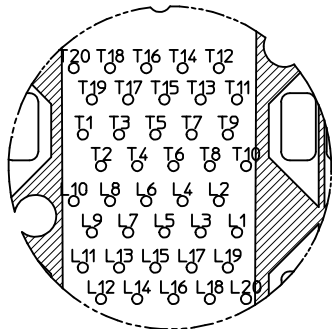
WITH INNER LIGHTPIPES



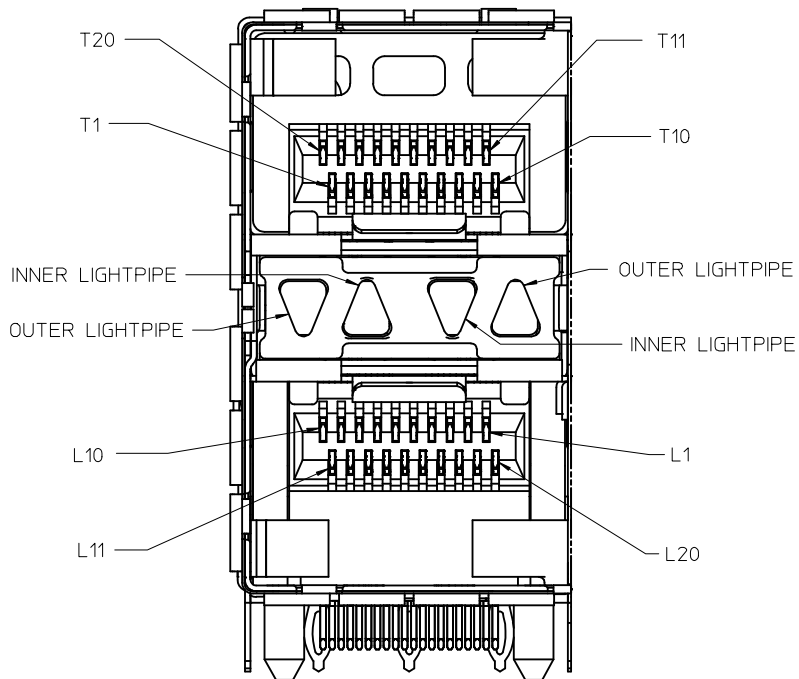
WITH OUTER LIGHTPIPES



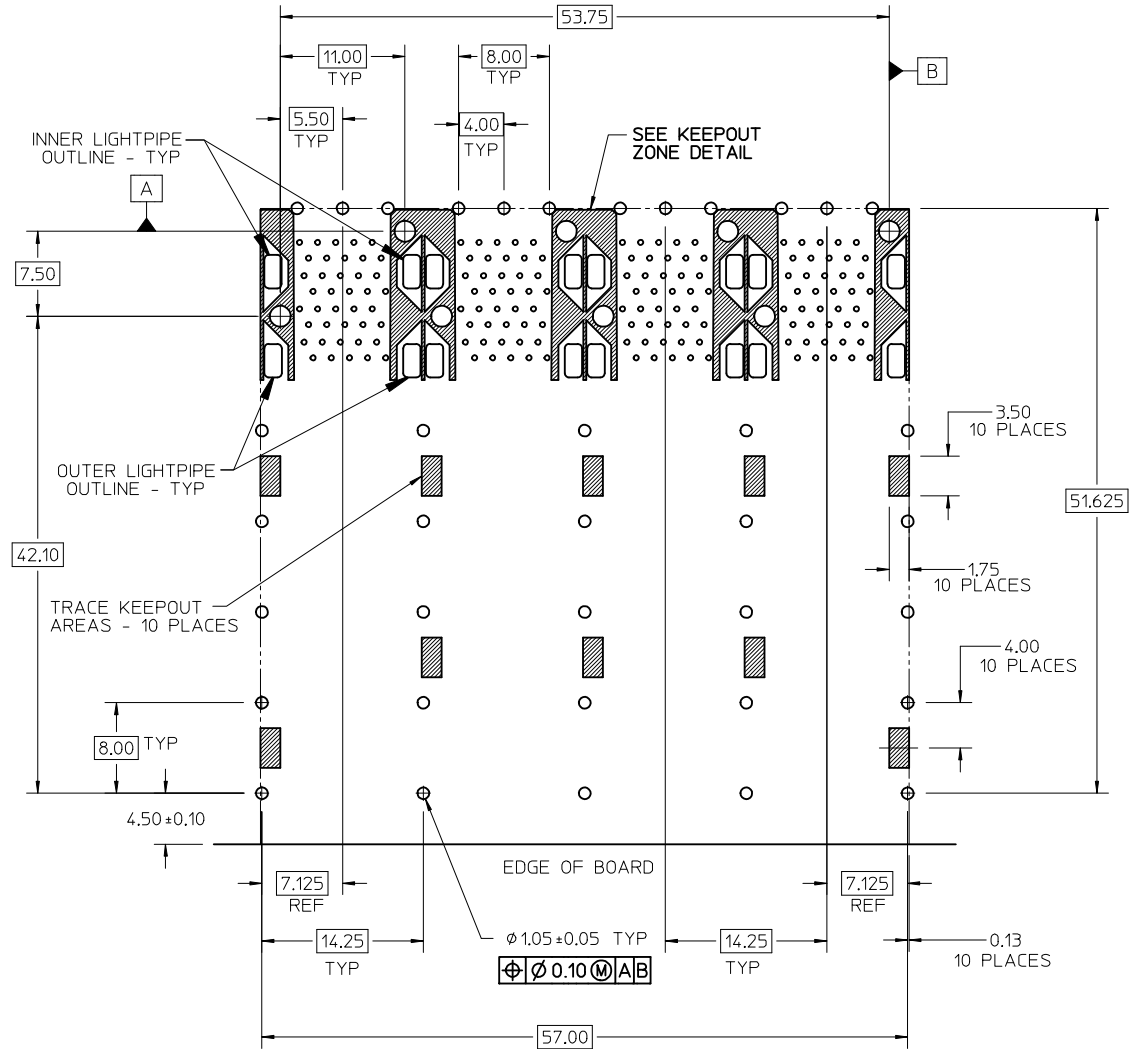
SEE SHEET 1 EC NO: UCP2015-2383 DRWN:BBARKER 2014/12/09 CHKD:TIBARRA 2014/12/09 APPR:SMILLER 2015/03/17	QUALITY SYMBOLS	GENERAL TOLERANCES (UNLESS SPECIFIED)		DIMENSION STYLE MM ONLY		SCALE 3:1	DESIGN UNITS METRIC	THIRD ANGLE PROJECTION	
	▽=0	mm	INCH	DRAWN BY BBARKER	DATE 2014/12/09	TITLE STACKED SFP+ 2X4 ASS'Y W/ METAL EMI GASKET AND LIGHTPIPES, ENHANCED EMI			
	▽=0	4 PLACES ± ---	± ---	CHECKED BY	DATE				
	▽=0	3 PLACES ± ---	± ---	APPROVED BY SMILLER		DATE 2015/03/17	DOCUMENT NO. RSD-76046-0003		
▽=0	2 PLACES ± 0.13	± ---	MATERIAL NO.		SHEET NO. 2 OF 5				
▽=0	1 PLACE ± 0.25	± ---	DRAFT WHERE APPLICABLE MUST REMAIN WITHIN DIMENSIONS			SIZE SEE TABLE			
REV A	DESCRIPTION	ANGULAR ± 5 °		THIS DRAWING CONTAINS INFORMATION THAT IS PROPRIETARY TO MOLEX INCORPORATED AND SHOULD NOT BE USED WITHOUT WRITTEN PERMISSION					



CIRCUIT NUMBERING
COMPONENT SIDE OF BOARD
SCALE 6:1

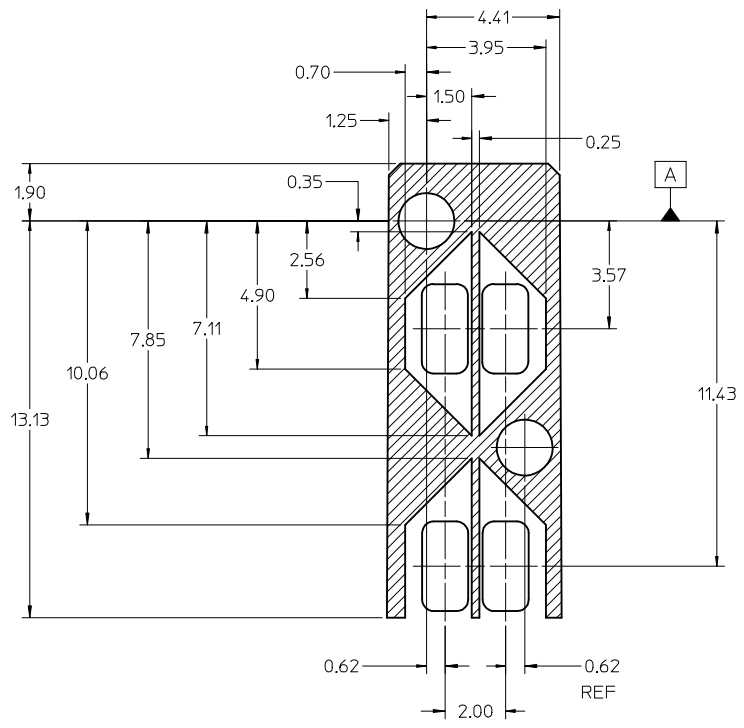


DETAIL A
SCALE 6:1
CIRCUIT NUMBERING
AND LIGHTPIPE
IDENTIFICATION



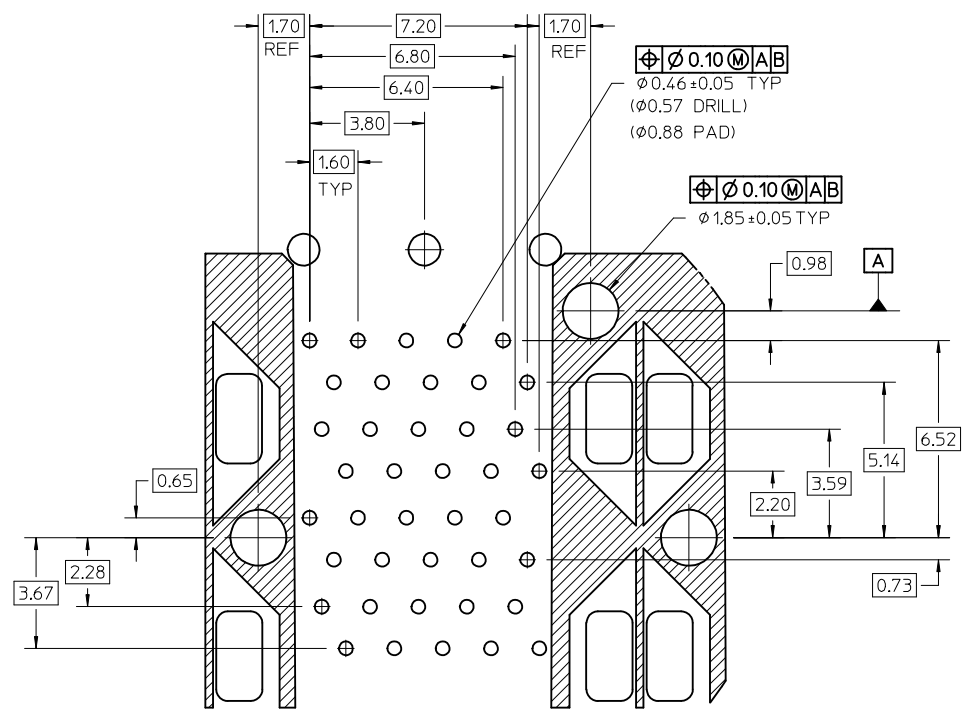
RECOMMENDED PCB LAYOUT - COMPONENT SIDE
RECOMMENDED PCB THICKNESS - 2.36 MM (.093 INCH)
THE ENTIRE AREA OF THE CONNECTOR FOOTPRINT
TO BE CONSIDERED THE KEEP OUT AREA FOR COMPONENTS
(OTHER THAN THE LIGHTPIPE LED'S)
THIS AREA IS INDICATED BY THE DASHED LINE

SEE SHEET 1 EC NO: UCP2015-2383 DRWN:BBARKER 2014/12/09 CHKD:TIBARRA 2014/12/09 APPR:SMILLER 2015/03/17	DESCRIPTION REV	QUALITY SYMBOLS	GENERAL TOLERANCES (UNLESS SPECIFIED)	DIMENSION STYLE MM ONLY	SCALE 3:1	DESIGN UNITS METRIC	THIRD ANGLE PROJECTION
		▽=0 ▽=0 ▽=0	mm INCH	DRAWN BY DATE BBARKER 2014/12/09 CHECKED BY DATE	TITLE STACKED SFP+ 2X4 ASS'Y W/ METAL EMI GASKET AND LIGHTPIPES, ENHANCED EMI		
A			4 PLACES ± --- ± --- 3 PLACES ± --- ± --- 2 PLACES ± 0.13 ± --- 1 PLACE ± 0.25 ± --- 0 PLACE ± ±	APPROVED BY DATE SMILLER 2015/03/17	DOCUMENT NO. RSD-76046-0003		SHEET NO. 3 OF 5
DRAFT WHERE APPLICABLE MUST REMAIN WITHIN DIMENSIONS			ANGULAR ± 5 °	MATERIAL NO. SEE TABLE	THIS DRAWING CONTAINS INFORMATION THAT IS PROPRIETARY TO MOLEX INCORPORATED AND SHOULD NOT BE USED WITHOUT WRITTEN PERMISSION		



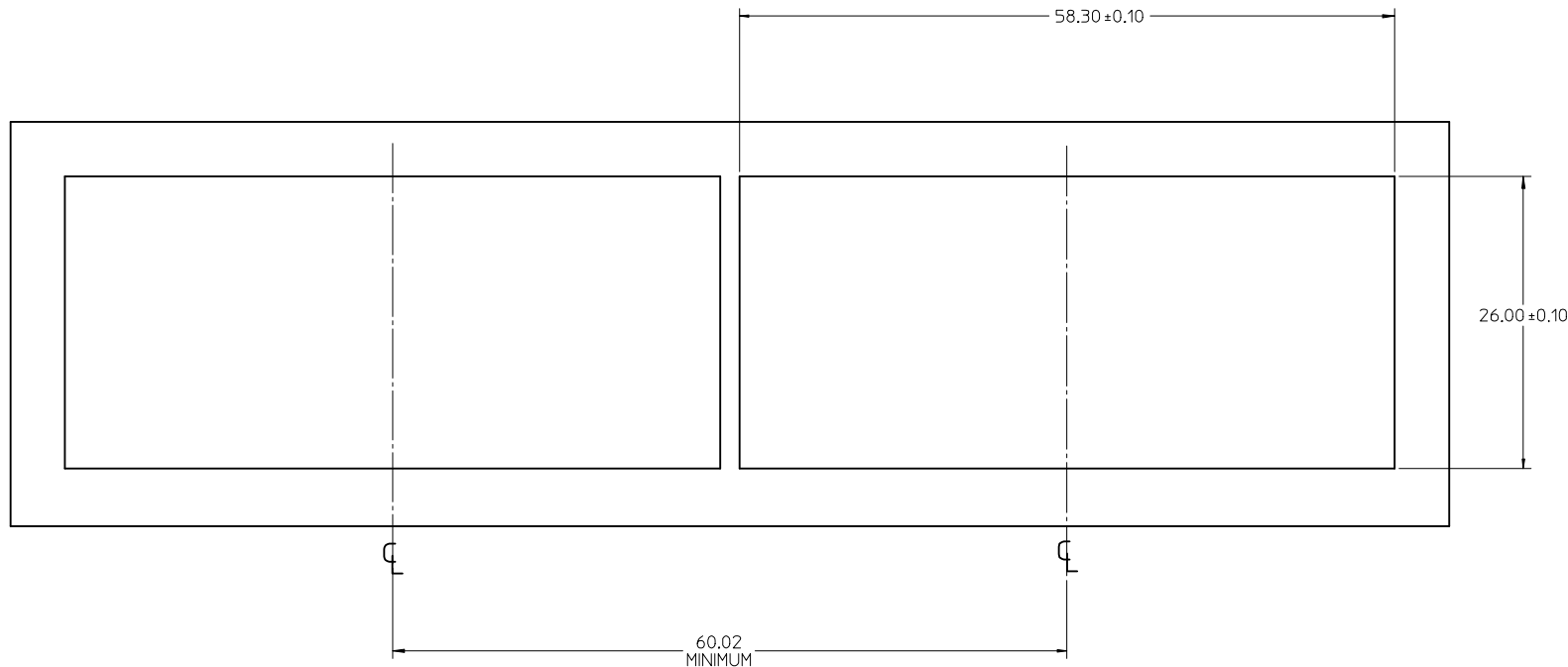
KEEPOUT ZONE DETAIL - LIGHTPIPE LOCATION AND OTHER ZONES
SCALE 8:1

THE HATCHED AREA IN THIS VIEW INDICATES ZONES THAT ARE OCCUPIED BY THE PLASTIC HOUSING THAT SEATS AGAINST THE PCB AND BY THE VERTICAL METAL CAGE WALL THAT STOPS JUST SHORT OF THE PCB

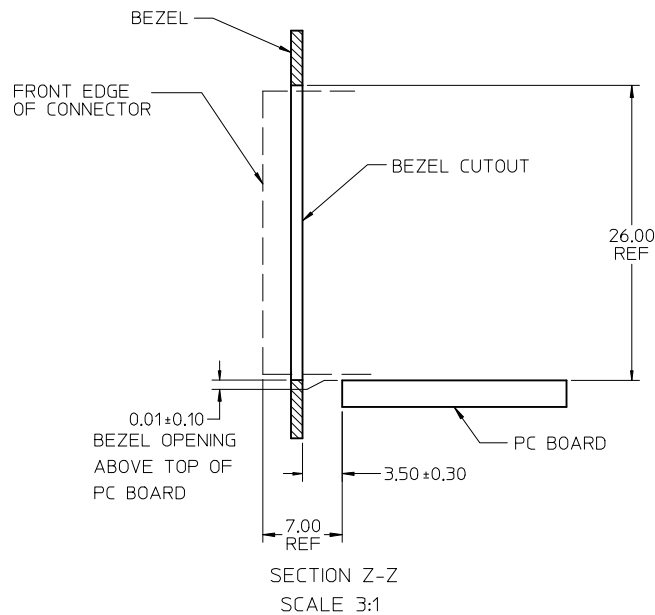


DETAIL B
SCALE 8:1

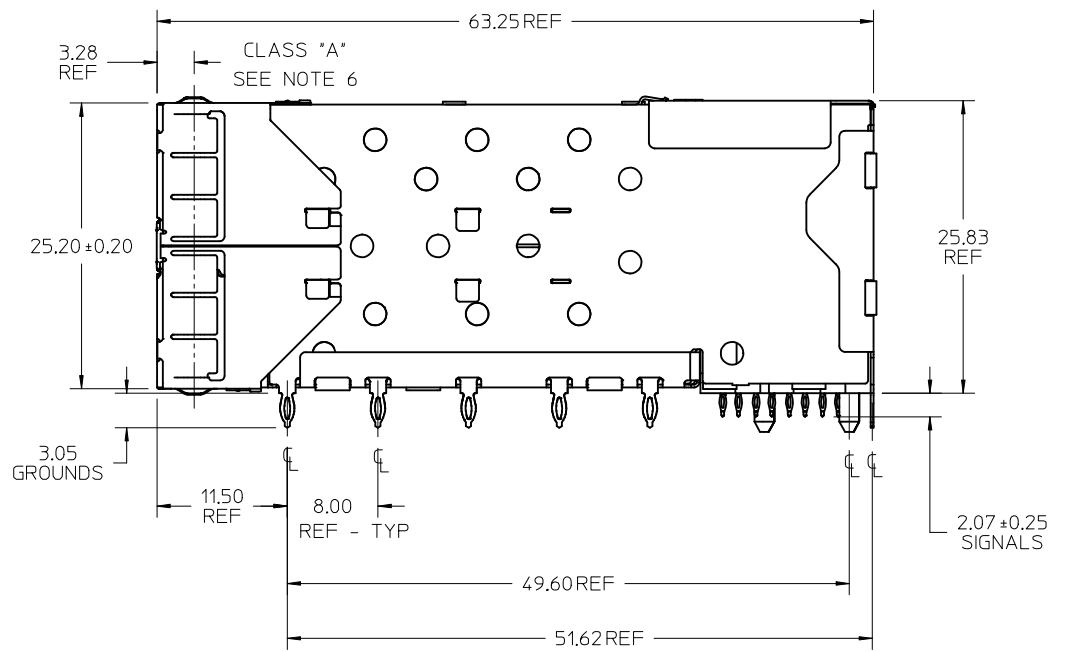
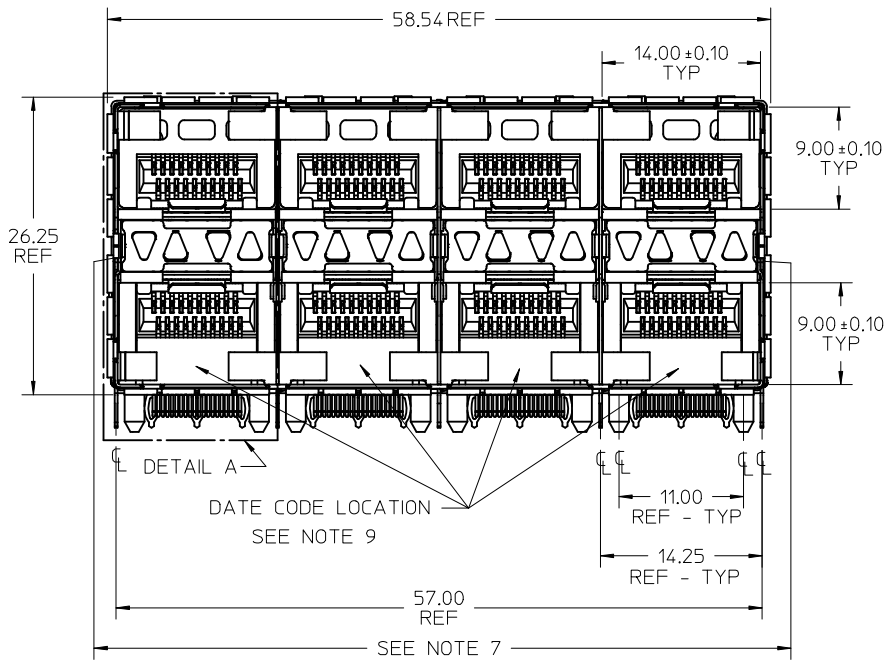
SEE SHEET 1 EC NO: UCP2015-2383 DRAWN BY: BBARKER 2014/12/09 CHKD: TIBARRA 2014/12/09 APPR: SMILLER 2015/03/17	QUALITY SYMBOLS	GENERAL TOLERANCES (UNLESS SPECIFIED)	DIMENSION STYLE	SCALE	DESIGN UNITS	THIRD ANGLE PROJECTION	
	$\nabla = 0$ $\nabla = 0$ $\nabla = 0$	mm INCH 4 PLACES ± --- ± --- 3 PLACES ± --- ± --- 2 PLACES ± 0.13 ± --- 1 PLACE ± 0.25 ± --- 0 PLACE ± ±	MM ONLY	8:1	METRIC	DRAWN BY: BBARKER 2014/12/09 CHECKED BY: DATE APPROVED BY: SMILLER 2015/03/17 DATE	TITLED STACKED SFP+ 2X4 ASS'Y W/ METAL EMI GASKET AND LIGHTPIPES, ENHANCED EMI molex
	ANGULAR ± 5 ° DRAFT WHERE APPLICABLE MUST REMAIN WITHIN DIMENSIONS	SEE TABLE	MATERIAL NO.	DOCUMENT NO.	SHEET NO.		
					RSD-76046-0003	4 OF 5	
					THIS DRAWING CONTAINS INFORMATION THAT IS PROPRIETARY TO MOLEX INCORPORATED AND SHOULD NOT BE USED WITHOUT WRITTEN PERMISSION		



BEZEL CUTOUT CENTER SPACING DETAIL
BEZEL THICKNESS 0.8-2.6



SEE SHEET 1 EC NO: UCP2015-2383 DRWN:BBARKER 2014/12/09 CHKD:TIBARRA 2014/12/09 APPR:SMILLER 2015/03/17	QUALITY SYMBOLS ∇=0 ∇=0 ∇=0	GENERAL TOLERANCES (UNLESS SPECIFIED)		DIMENSION STYLE MM ONLY		SCALE 3:1	DESIGN UNITS METRIC	THIRD ANGLE PROJECTION		
		4 PLACES ± --- ± ---	mm	INCH	DRAWN BY BBARKER	DATE 2014/12/09	TITLE STACKED SFP+ 2X4 ASS'Y W/ METAL EMI GASKET AND LIGHTPIPES, ENHANCED EMI molex			
		3 PLACES ± --- ± ---			CHECKED BY	DATE				
		2 PLACES ± 0.13 ± ---			APPROVED BY SMILLER		DATE 2015/03/17	DOCUMENT NO. RSD-76046-0003 SHEET NO. 5 OF 5		
1 PLACE ± 0.25 ± ---			MATERIAL NO.		SEE TABLE					
0 PLACE ± ±			ANGULAR ± 5 °				THIS DRAWING CONTAINS INFORMATION THAT IS PROPRIETARY TO MOLEX INCORPORATED AND SHOULD NOT BE USED WITHOUT WRITTEN PERMISSION			
DRAFT WHERE APPLICABLE MUST REMAIN WITHIN DIMENSIONS				SIZE C						



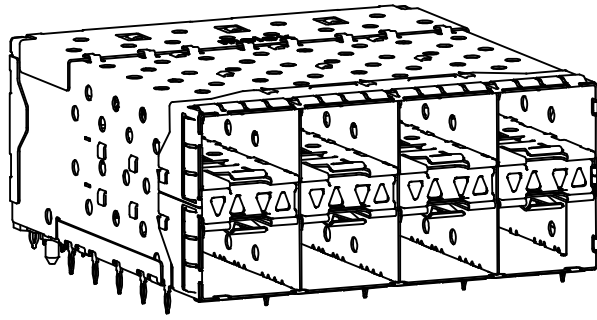
NOTES

- MATERIAL:**
 CAGE: NICKEL SILVER, THICKNESS: 0.25mm
 CONNECTOR HOUSING: GLASS FILLED LIQUID CRYSTAL POLYMER (LCP), UL 94V-0, COLOR: BLACK
 OVERMOLD TERMINAL HOUSING: GLASS FILLED LIQUID CRYSTAL POLYMER (LCP), UL 94V-0, COLOR: BLACK
 TERMINALS: TIN BRASS
 EMI GASKET: PHOS-BRONZE
 LIGHTPIPE HOUSING: ZINC
 LIGHTPIPES: POLYCARBONATE, COLOR: CLEAR
- FINISHES:**
 TERMINALS: CONTACT AREA - 0.76 MICROMETERS MINIMUM HARD GOLD OVER 1.27 MICROMETERS MINIMUM NICKEL.
 COMPLIANT TAIL - 0.76 TO 1.52 MICROMETERS MATTE TIN OVER 0.76 MICROMETERS MINIMUM NICKEL.
 LIGHTPIPE HOUSING: 80 MICROMETERS MINIMUM NICKEL OVER COPPER
 EMI GASKET: 2.54 MICROMETERS MINIMUM NICKEL OVERALL
- REFER TO PS-75310-001 PRODUCT SPEC FOR ALL ELECTRICAL, MECHANICAL, AND ENVIRONMENTAL SPECIFICATIONS.
- LIGHTPIPE PAD LAYOUT IS FOR 0805 LOW-PROFILE LED PACKAGE, FOR OTHER RECOMMENDED LAYOUTS REFER TO MOLEX'S REPORT TS-75310-001.
- REFER TO PK-75450-001 FOR ALL PACKAGING SPECIFICATIONS.
- THE SURFACES CONFORM TO THE MOLEX COSMETIC SPEC PS-45499-002. ALL EXTERIOR SURFACES TO BE CLASS "B" SURFACE EXCEPT THE UNDERSIDE (CLASS "C") OF THE CAGE (SIDE TOWARD THE PCB) AND AS OTHERWISE NOTED.
- THE OVERALL CAGE WIDTH AT THE VERTICAL CENTER OF THE FRONT EDGE WILL FALL WITHIN THIS DIMENSION: 57.80+/-0.30 MM. THIS PORTION OF THE CAGE WILL FLEX INWARD AS THE CAGE IS BEING INSERTED INTO THE BEZEL OPENING.
- REFER TO AS-76090-001 FOR HIGH SPEED ROUTING RECOMMENDATIONS.
- DATE CODE LOCATION IS SHOWN ABOVE.
 DATE CODE FORMAT: DDDY MX A1
 DDD = DAY OF THE YEAR
 Y = YEAR
 MX = MOLEX
 A = ALPHA CHARACTER - INDICATES MANUFACTURING LINE
 1 = NUMERIC CHARACTER - INDICATES PRODUCTION SHIFT

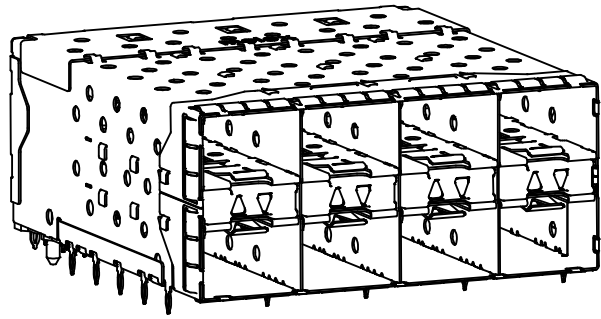
ENHANCED EMI VERSION

PART NUMBER	LIGHTPIPE CONFIGURATION (SEE VIEWS ON SHEET 2)
760467001	4 LIGHT PORTS
760467002	INNER 2 PORTS
760467006	OUTER 2 PORTS - SPECIAL CONFIGURATION

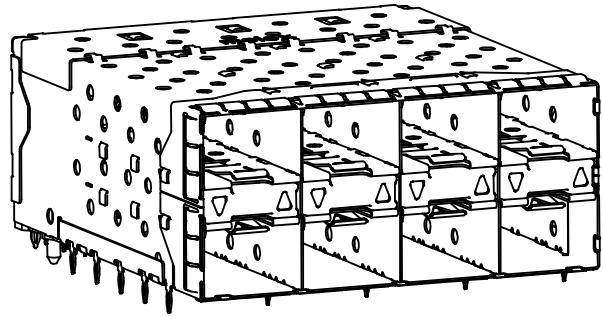
REV. NOTES & 2 FOR EMI EC NO: UCP2016-3489 DRW: VYANG01 2016/03/07 CHK: BBARKER 2016/03/07 APPR: SMILLER 2016/03/25	DESCRIPTION QUALITY SYMBOLS ▽=0 ▽=0 ▽=0	GENERAL TOLERANCES (UNLESS SPECIFIED)		DIMENSION STYLE MM ONLY		SCALE 3:1	DESIGN UNITS METRIC	THIRD ANGLE PROJECTION		
		mm	INCH	DRAWN BY	DATE	STACKED SFP+ 2X4 ASS'Y W/ METAL EMI GASKET AND LIGHTPIPES, ENHANCED EMI DOCUMENT NO. SD-76046-0003 SHEET NO. 1 OF 5				
		4 PLACES ± ---	± ---	TIBARRA	2012/08/09					
		3 PLACES ± ---	± ---	CHECKED BY	DATE					
2 PLACES ± 0.13	± ---	BBARKER	2012/08/15							
1 PLACE ± 0.25	± ---	APPROVED BY	DATE	THIS DRAWING CONTAINS INFORMATION THAT IS PROPRIETARY TO MOLEX INCORPORATED AND SHOULD NOT BE USED WITHOUT WRITTEN PERMISSION						
0 PLACE ±	±	SMILLER	2012/08/28							
ANGULAR ± 5 °										
DRAFT WHERE APPLICABLE MUST REMAIN WITHIN DIMENSIONS										



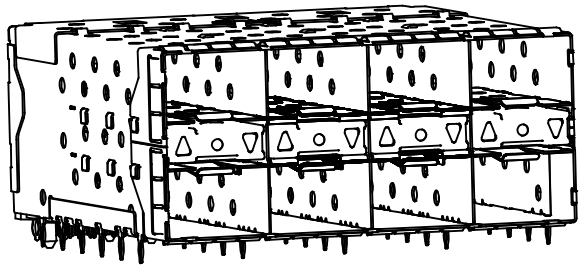
760467001
WITH INNER AND OUTER LIGHTPIPPES



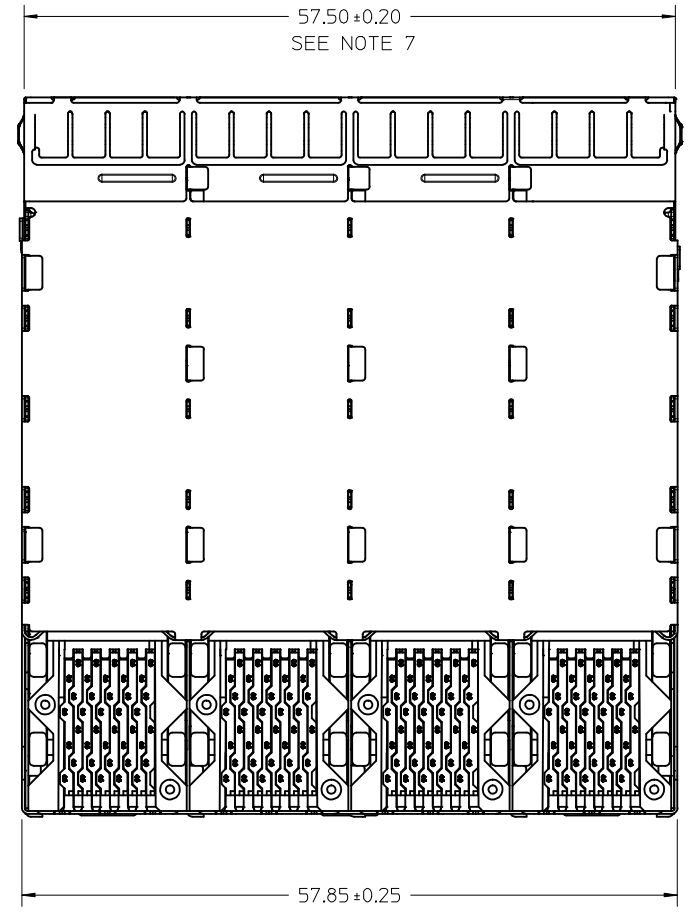
76046-7002
WITH INNER LIGHTPIPPES



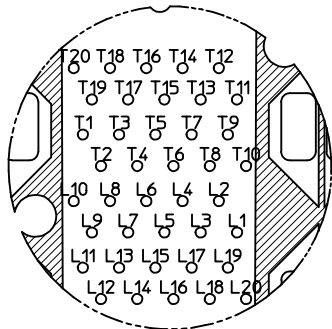
WITH OUTER LIGHTPIPPES



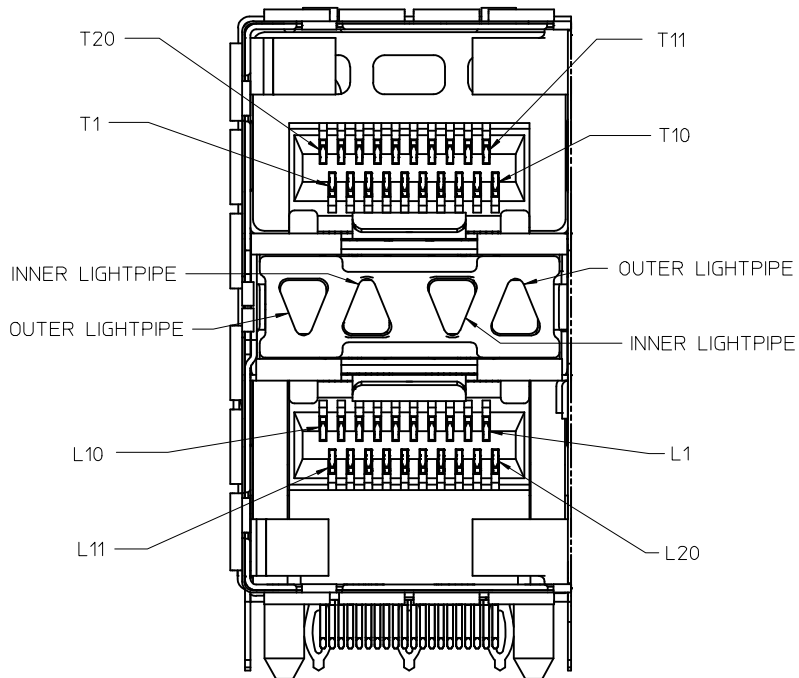
760467006
WITH OUTER LIGHTPIPPES
SPECIAL CONFIGURATION



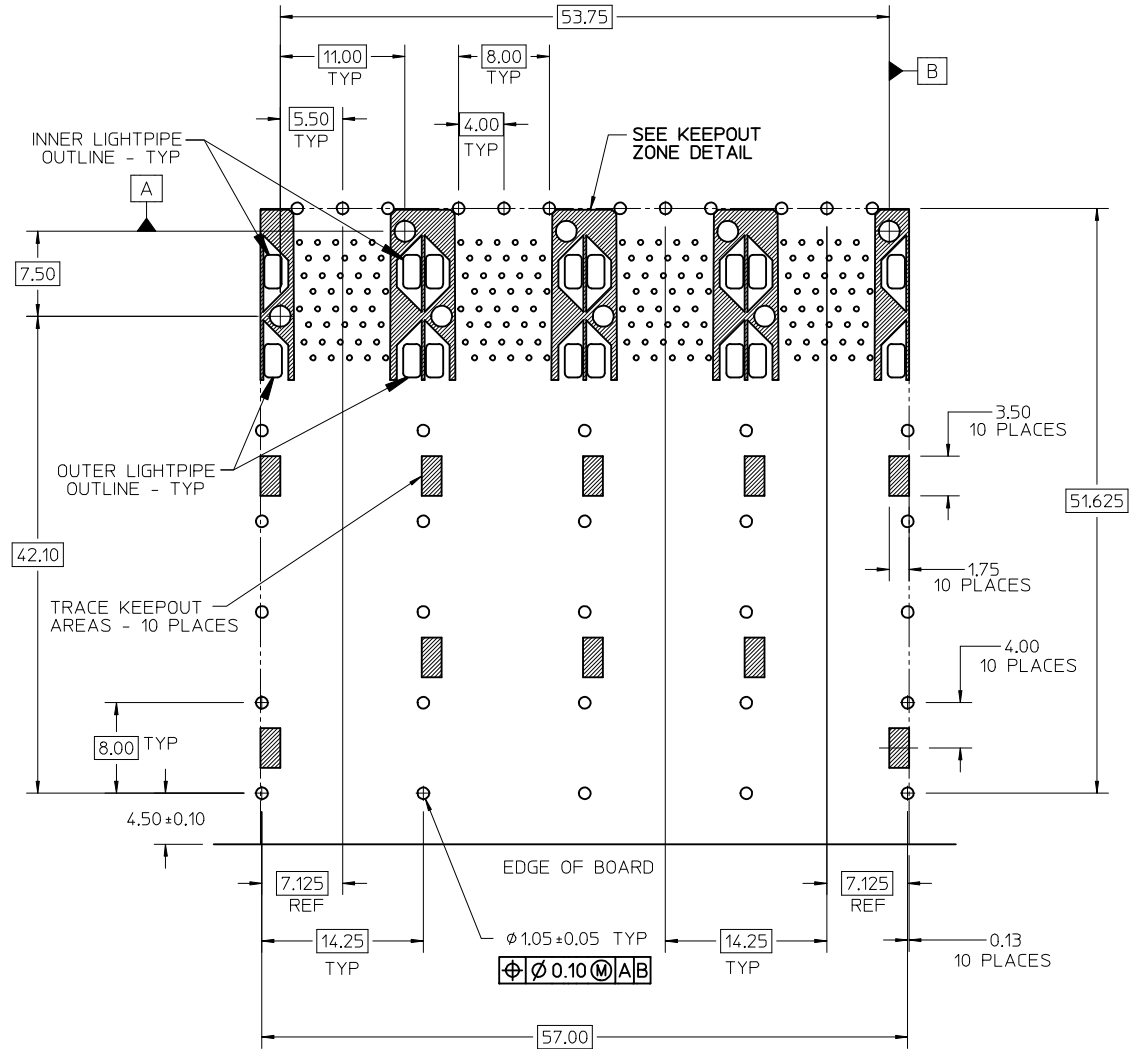
SEE SHEET 1 EC NO: UCP2016-3489 DRWNS:YANG01 2016/03/07 CHKD:BBARKER 2016/03/07 APPR:SMILLER 2016/03/25	QUALITY SYMBOLS = 0 = 0 = 0	GENERAL TOLERANCES (UNLESS SPECIFIED)		DIMENSION STYLE	SCALE	DESIGN UNITS	THIRD ANGLE PROJECTION		
				MM ONLY	3:1	METRIC			
				mm	INCH	DRAWN BY	DATE	TITLE	STACKED SFP+ 2X4 ASS'Y W/ METAL EMI GASKET AND LIGHTPIPPES, ENHANCED EMI molex DOCUMENT NO. SD-76046-0003 SHEET NO. 2 OF 5
		4 PLACES	± ---	± ---	TIBARRA	2012/08/09			
		3 PLACES	± ---	± ---	CHECKED BY	DATE			
2 PLACES	± 0.13	± ---	BBARKER	2012/08/15					
1 PLACE	± 0.25	± ---	APPROVED BY	DATE					
0 PLACE	±	±	SMILLER	2012/08/28					
		ANGULAR ± 5 °		MATERIAL NO.					
DRAFT WHERE APPLICABLE MUST REMAIN WITHIN DIMENSIONS				SEE TABLE					
				SIZE	THIS DRAWING CONTAINS INFORMATION THAT IS PROPRIETARY TO MOLEX INCORPORATED AND SHOULD NOT BE USED WITHOUT WRITTEN PERMISSION				



CIRCUIT NUMBERING
COMPONENT SIDE OF BOARD
SCALE 6:1



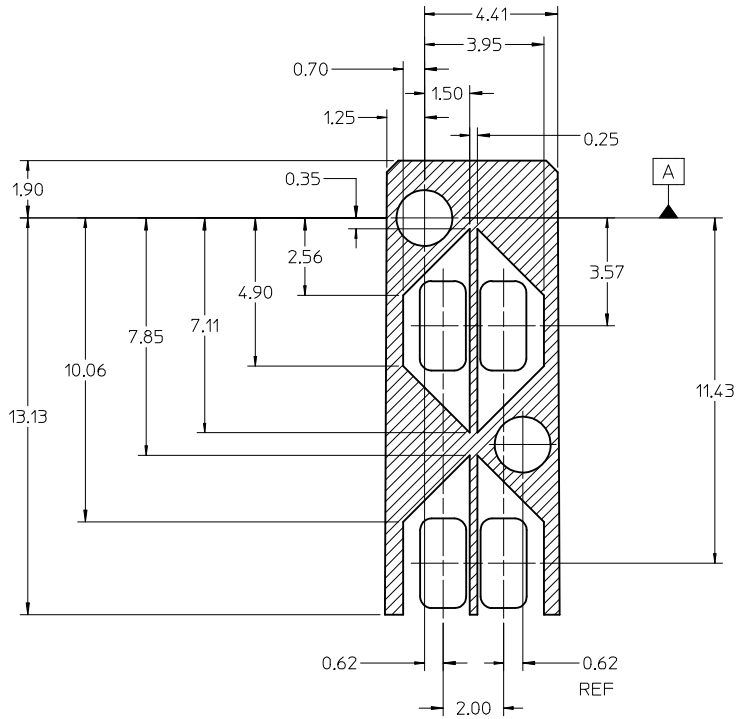
DETAIL A
SCALE 6:1
CIRCUIT NUMBERING
AND LIGHTPIPE
IDENTIFICATION



RECOMMENDED PCB LAYOUT - COMPONENT SIDE
RECOMMENDED PCB THICKNESS - 2.36 MM (.093 INCH)

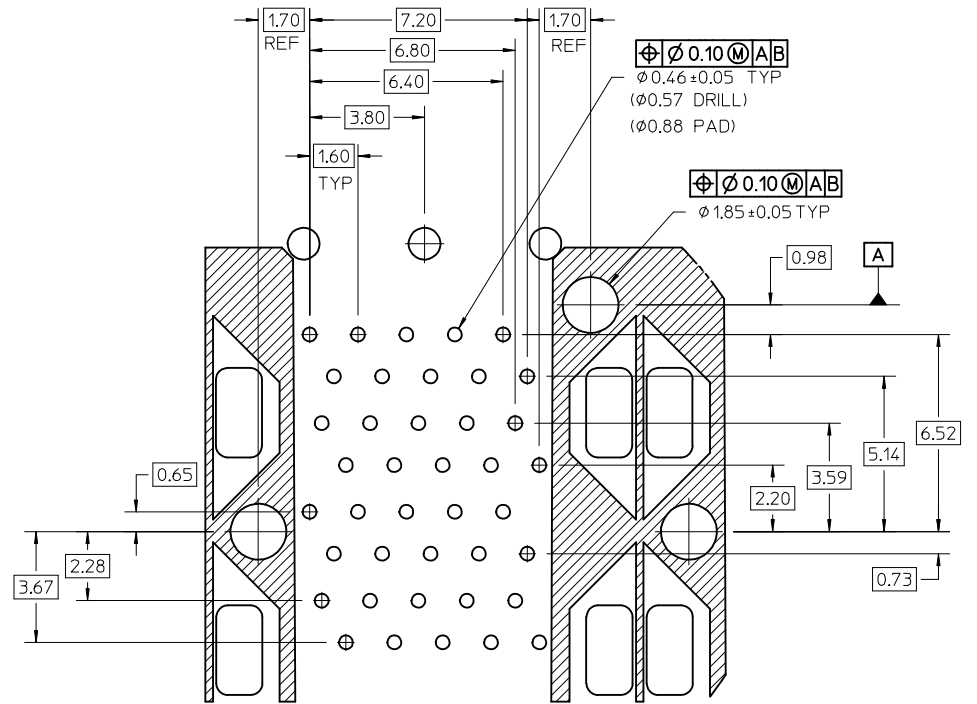
THE ENTIRE AREA OF THE CONNECTOR FOOTPRINT
TO BE CONSIDERED THE KEEP OUT AREA FOR COMPONENTS
(OTHER THAN THE LIGHTPIPE LED'S)
THIS AREA IS INDICATED BY THE DASHED LINE

SEE SHEET 1 EC NO: UCP2016-3489 DRWNSVANG01 2016/03/07 CHKD:BBARKER 2016/03/07 APPR:SMILLER 2016/03/25	DESCRIPTION REV	QUALITY SYMBOLS	GENERAL TOLERANCES (UNLESS SPECIFIED)	DIMENSION STYLE MM ONLY	SCALE 3:1	DESIGN UNITS METRIC	THIRD ANGLE PROJECTION
		▽=0	mm INCH	DRAWN BY DATE TIBARRA 2012/08/09	TITLE STACKED SFP+ 2X4 ASS'Y W/ METAL EMI GASKET AND LIGHTPIPES, ENHANCED EMI	DOCUMENT NO. SD-76046-0003	SHEET NO. 3 OF 5
		▽=0	4 PLACES ± --- ± ---	CHECKED BY DATE BBARKER 2012/08/15			
		▽=0	3 PLACES ± --- ± ---	APPROVED BY DATE SMILLER 2012/08/28			
▽=0	2 PLACES ± 0.13 ± ---	MATERIAL NO.					
			1 PLACE ± 0.25 ± ---	SEE TABLE			
			0 PLACE ± ±	SIZE C			
			ANGULAR ± 5 °				
			DRAFT WHERE APPLICABLE MUST REMAIN WITHIN DIMENSIONS				



KEEPPOUT ZONE DETAIL - LIGHTPIPE LOCATION AND OTHER ZONES
SCALE 8:1

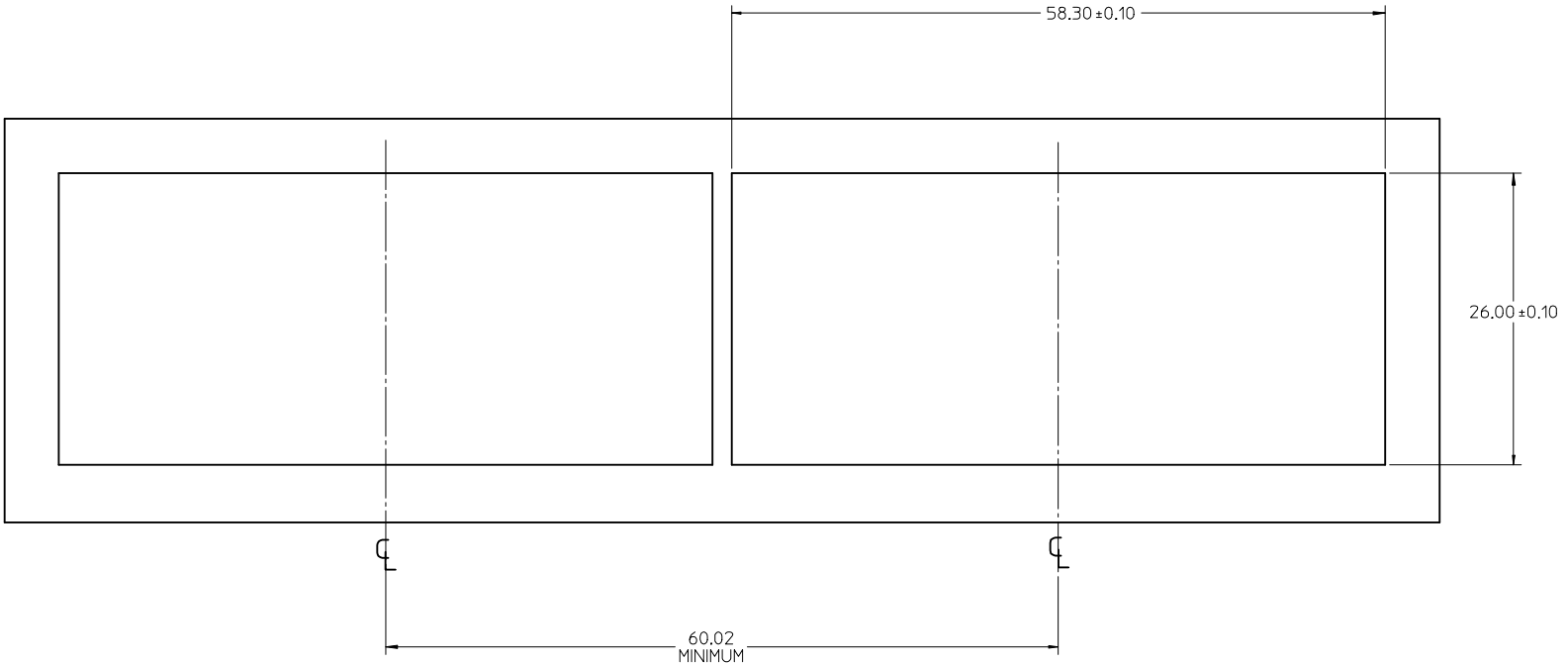
THE HATCHED AREA IN THIS VIEW INDICATES ZONES THAT ARE OCCUPIED BY THE PLASTIC HOUSING THAT SEATS AGAINST THE PCB AND BY THE VERTICAL METAL CAGE WALL THAT STOPS JUST SHORT OF THE PCB



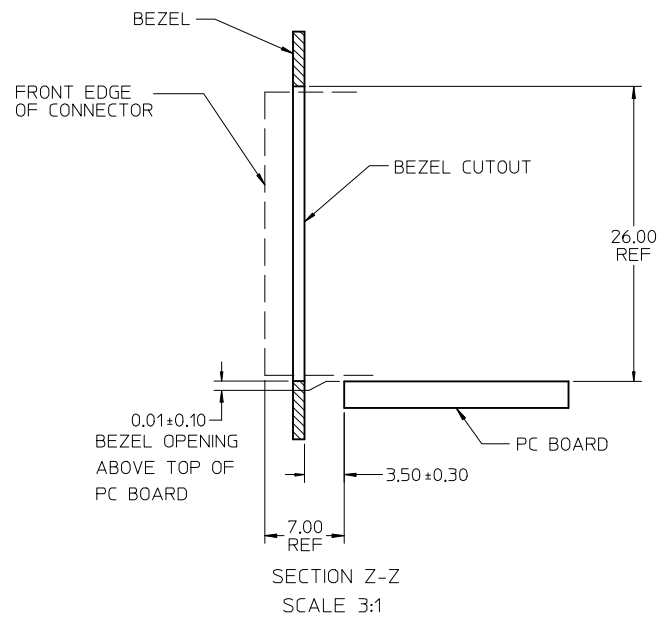
DETAIL B
SCALE 8:1

SEE SHEET 1	EC NO: UCP2016-3489	DRAWN BY	DATE	SCALE	DESIGN UNITS	THIRD ANGLE PROJECTION
CHKD:BBARKER	2016/03/07	CHECKED BY	DATE	TITLE STACKED SFP+ 2X4 ASS'Y W/ METAL EMI GASKET AND LIGHTPIPES, ENHANCED EMI		
APPR:SMILLER	2016/03/25	BBARKER	2012/08/15			
REV	DESCRIPTION	APPROVED BY	DATE	DOCUMENT NO. SD-76046-0003		
		SMILLER	2012/08/28			
GENERAL TOLERANCES (UNLESS SPECIFIED)		DIMENSION STYLE		MATERIAL NO.		
4 PLACES ± 0.13		MM ONLY		SEE TABLE		
3 PLACES ± 0.25		mm INCH		SIZE		
2 PLACES ± 0.25		DRAWN BY TIBARRA		THIS DRAWING CONTAINS INFORMATION THAT IS PROPRIETARY TO MOLEX INCORPORATED AND SHOULD NOT BE USED WITHOUT WRITTEN PERMISSION		
1 PLACE ± 0.25		DATE 2012/08/09		INCORPORATED AND SHOULD NOT BE USED WITHOUT WRITTEN PERMISSION		
0 PLACE ±		DATE 2012/08/28		SHEET NO. 4 OF 5		
ANGULAR ± 5 °		DRAFT WHERE APPLICABLE MUST REMAIN WITHIN DIMENSIONS				

13 12 11 10 9 8 7 6 5 4 3 2 1

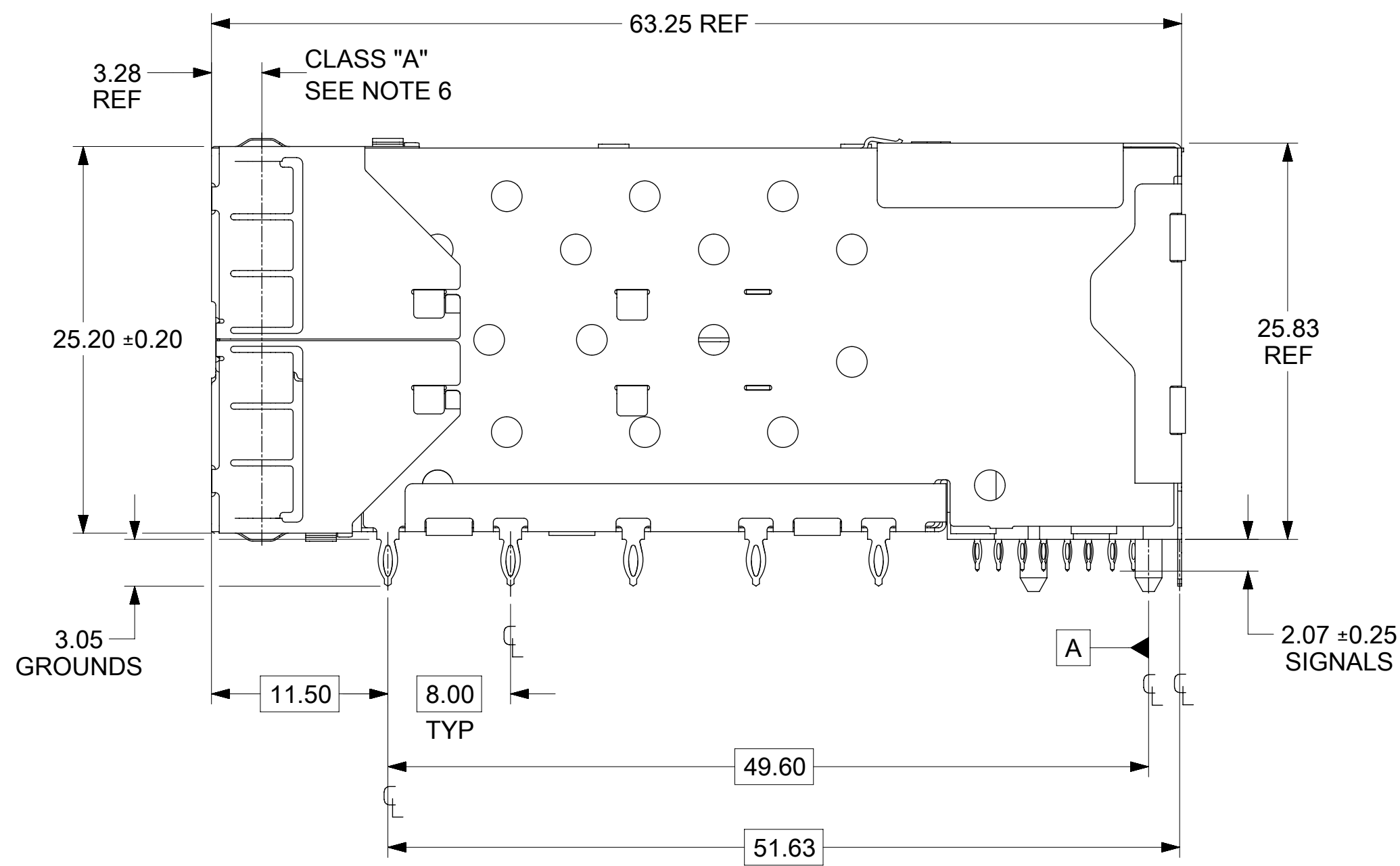
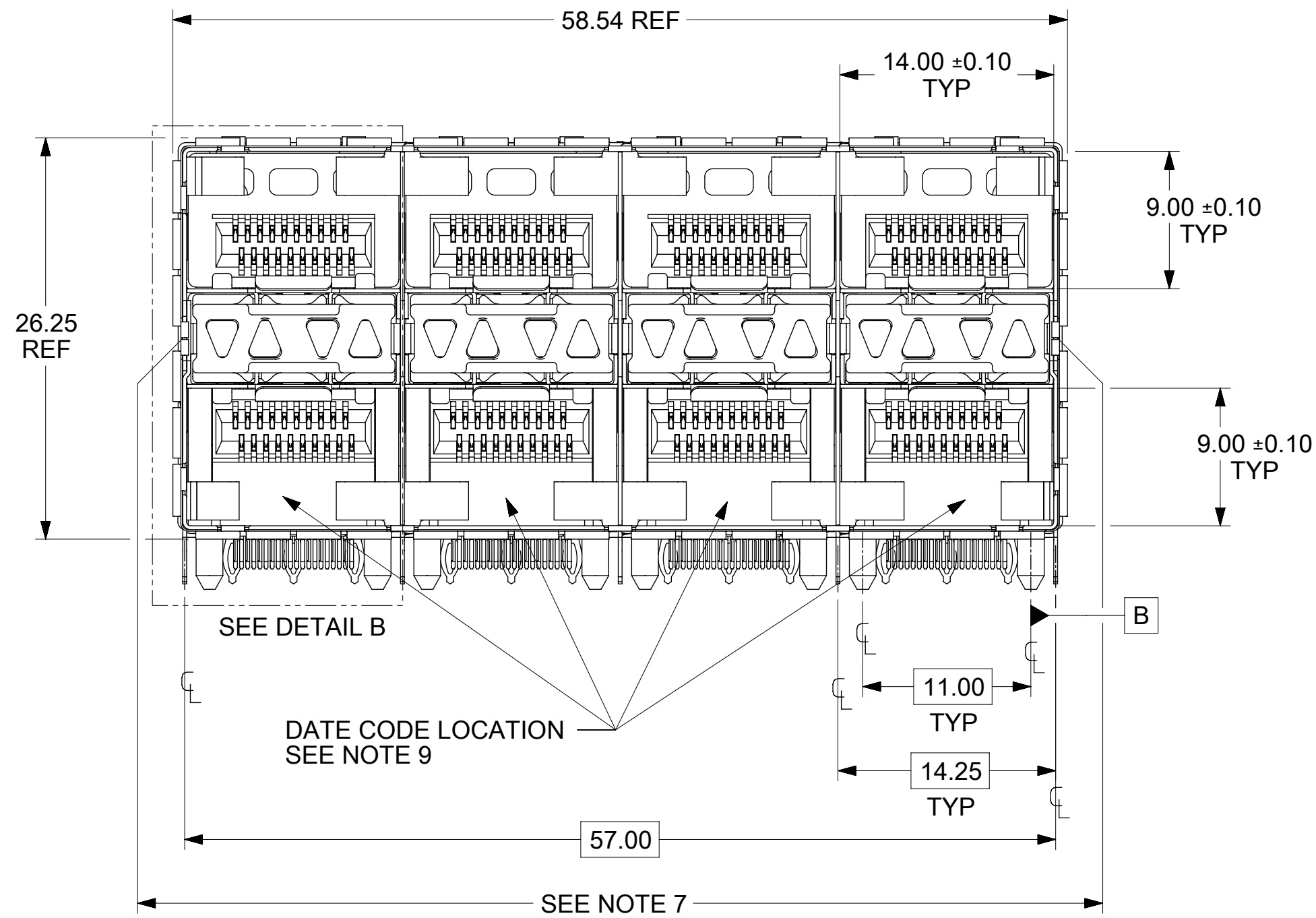


BEZEL CUTOUT CENTER SPACING DETAIL
BEZEL THICKNESS 0.8-2.6



SECTION Z-Z
SCALE 3:1

SEE SHEET 1 EC NO: UCP2016-3489 DRWNS: YANG01 2016/03/07 CHKD: BBARKER 2016/03/07 APPR: SMILLER 2016/03/25	DESCRIPTION REV 1 0 0	QUALITY SYMBOLS $\nabla = 0$ $\nabla = 0$ $\nabla = 0$		GENERAL TOLERANCES (UNLESS SPECIFIED)		DIMENSION STYLE MM ONLY		SCALE 3:1	DESIGN UNITS METRIC	THIRD ANGLE PROJECTION	
		4 PLACES	±	---	±	---	DRAWN BY	DATE	TITLE STACKED SFP+ 2X4 ASS'Y W/ METAL EMI GASKET AND LIGHTPIPES, ENHANCED EMI molex DOCUMENT NO. SD-76046-0003 SHEET NO. 5 OF 5		
		3 PLACES	±	---	±	---	CHECKED BY	DATE			
		2 PLACES	±	0.13	±	---	APPROVED BY	DATE			
1 PLACE	±	0.25	±	---	SMILLER	2012/08/28					
0 PLACE	±		±								
				ANGULAR ± 5 °		MATERIAL NO.					
DRAFT WHERE APPLICABLE MUST REMAIN WITHIN DIMENSIONS				SIZE C		SEE TABLE					

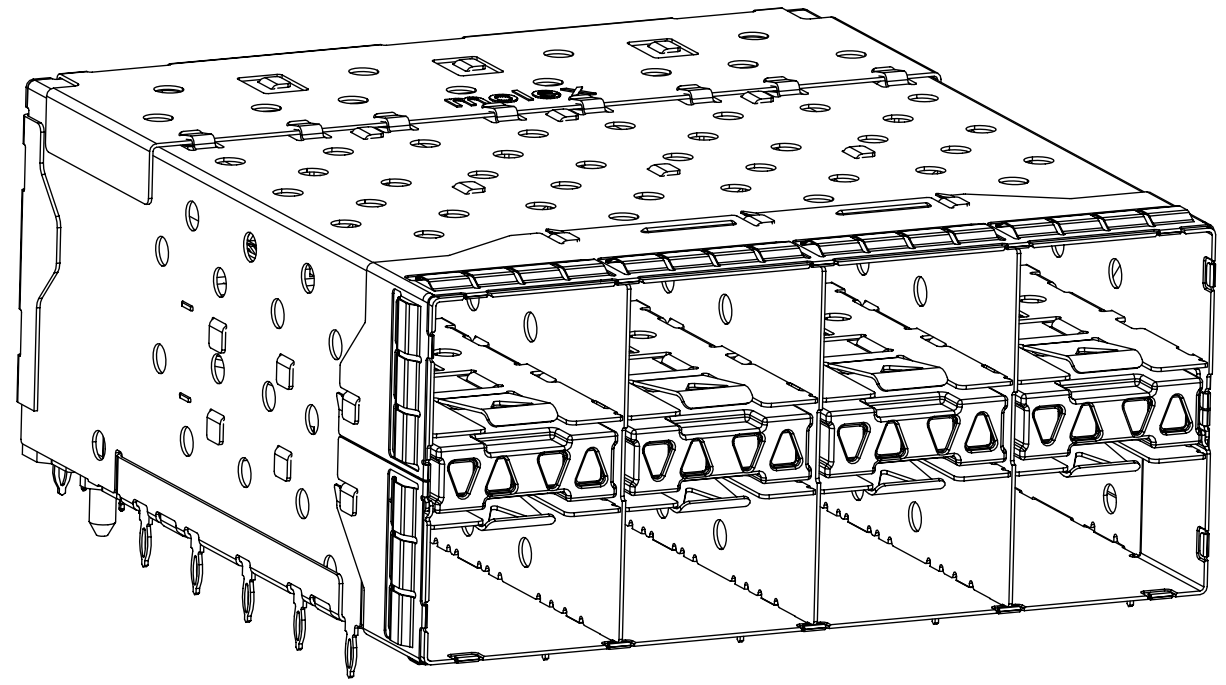


NOTES

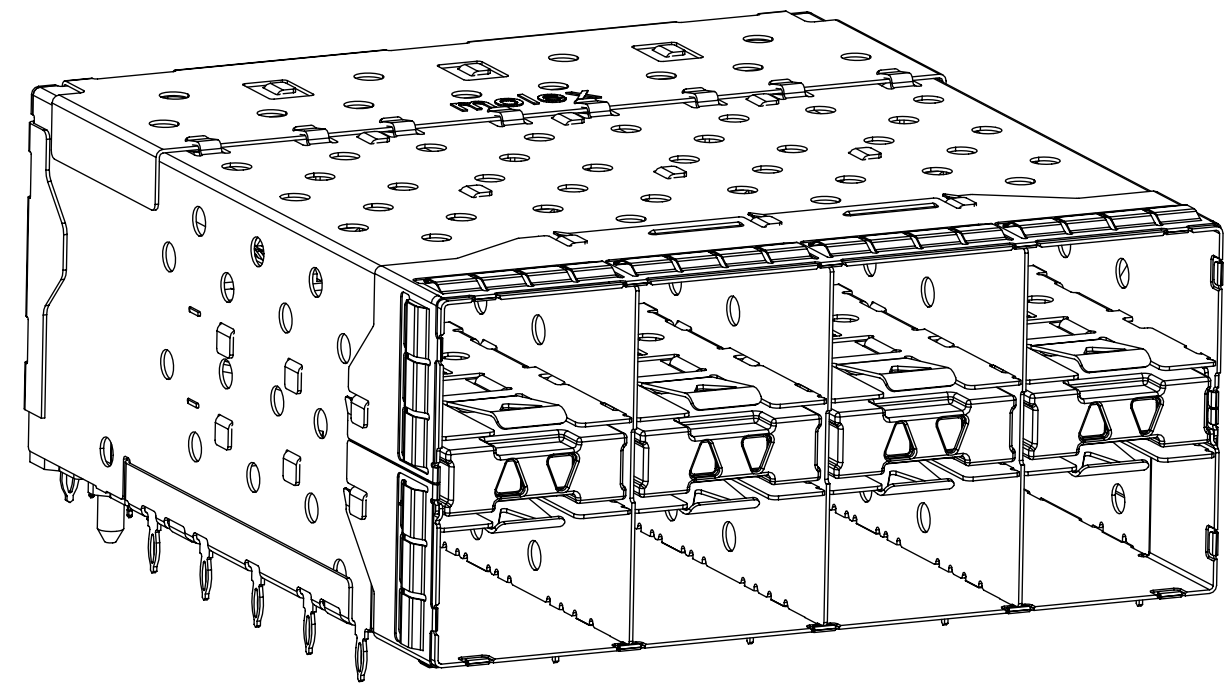
- MATERIAL:**
 CAGE: NICKEL SILVER, THICKNESS: 0.25mm
 CONNECTOR HOUSING: GLASS FILLED LIQUID CRYSTAL POLYMER (LCP), UL 94V-0, COLOR: BLACK
 OVERMOLD TERMINAL HOUSING: GLASS FILLED LIQUID CRYSTAL POLYMER (LCP), UL 94V-0, COLOR: BLACK
 TERMINALS: TIN BRASS
 EMI GASKET: PHOS-BRONZE
 LIGHTPIPE HOUSING: ZINC
 LIGHTPIPES: POLYCARBONATE, COLOR: CLEAR
- FINISHES:**
 TERMINALS: CONTACT AREA: 0.76 MICROMETERS MINIMUM HARD GOLD OVER 1.27 MICROMETERS MINIMUM NICKEL.
 COMPLIANT TAIL - MATTE TIN/LEAD OPTION: 0.76 TO 1.52 MICROMETERS 90/10 MATTE TIN-LEAD OVER 0.76 MICROMETERS MINIMUM NICKEL.
 COMPLIANT TAIL - MATTE TIN OPTION: 0.76 TO 1.52 MICROMETERS MATTE TIN OVER 0.76 MICROMETERS MINIMUM NICKEL.
 LIGHTPIPE HOUSING: 80 MICROMETERS MINIMUM NICKEL OVER COPPER
 EMI GASKET: 2.54 MICROMETERS MINIMUM NICKEL OVERALL.
- REFER TO PS-75310-001 PRODUCT SPEC FOR ALL ELECTRICAL, MECHANICAL, AND ENVIRONMENTAL SPECIFICATIONS.
- LIGHTPIPE PAD LAYOUT IS FOR 0805 LOW-PROFILE LED PACKAGE, FOR OTHER RECOMMENDED LAYOUTS REFER TO MOLEX'S REPORT TS-75310-001.
- REFER TO PK-75450-001 FOR ALL PACKAGING SPECIFICATIONS.
- THE SURFACES CONFORM TO THE MOLEX COSMETIC SPEC PS-45499-002. ALL EXTERIOR SURFACES TO BE CLASS "B" SURFACE EXCEPT THE UNDERSIDE (CLASS "C") OF THE CAGE (SIDE TOWARD THE PCB) AND AS OTHERWISE NOTED.
- THE OVERALL CAGE WIDTH AT THE VERTICAL CENTER OF THE FRONT EDGE WILL FALL WITHIN THIS DIMENSION: 57.80+/-0.30 MM. THIS PORTION OF THE CAGE WILL FLEX INWARD AS THE CAGE IS BEING INSERTED INTO THE BEZEL OPENING.
- REFER TO AS-76090-001 FOR HIGH SPEED ROUTING RECOMMENDATIONS.
- DATE CODE LOCATION IS SHOWN ABOVE.
 DATE CODE FORMAT: DDDY MX A1
 DDD = DAY OF THE YEAR
 Y = YEAR
 MX = MOLEX
 A = ALPHA CHARACTER - INDICATES MANUFACTURING LINE
 1 = NUMERIC CHARACTER - INDICATES PRODUCTION SHIFT

PART NUMBER	DESCRIPTION	VIEW	COMPLIANT TAIL PLATING
760460001	4 LIGHT PORTS	SEE PG 2	MATTE TIN / LEAD
760460002	INNER 2 PORTS	SEE PG 2	MATTE TIN / LEAD
760460003	OUTER 2 PORTS	SEE PG 2	MATTE TIN / LEAD
760465001	4 LIGHT PORTS	SEE PG 2	MATTE TIN
760465002	INNER 2 PORTS	SEE PG 2	MATTE TIN
760465003	OUTER 2 PORTS	SEE PG 2	MATTE TIN
760465013	OUTER 2 PORTS	SEE PG 2	MATTE TIN

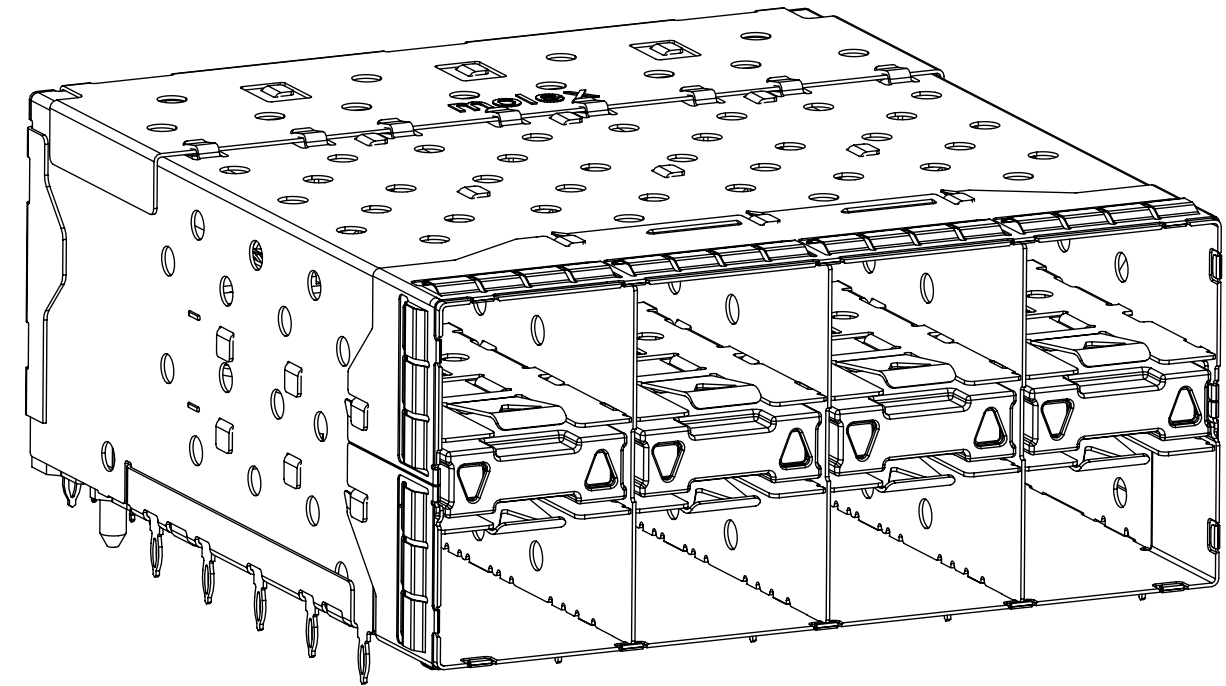
THIS DRAWING CONTAINS INFORMATION THAT IS PROPRIETARY TO MOLEX ELECTRONIC TECHNOLOGIES, LLC AND SHOULD NOT BE USED WITHOUT WRITTEN PERMISSION																					
SYMBOLS		DIMENSION UNITS	SCALE	CURRENT REV DESC: MIGRATED TO NX																	
▽ = 0	▽ = 0	mm	3:1	<p style="text-align: center;">STACKED SFP+ 2X4 ASS'Y WITH METAL EMI GASKET AND LIGHTPIPES</p> <p style="text-align: center;">PRODUCT CUSTOMER DRAWING</p> <table border="1" style="width: 100%; text-align: center;"> <tr> <td colspan="2">DOCUMENT NUMBER</td> <td>DOC TYPE</td> <td>DOC PART</td> <td>REVISION</td> </tr> <tr> <td colspan="2">SD-76046-001</td> <td>PSD</td> <td>001</td> <td>F1</td> </tr> </table>								DOCUMENT NUMBER		DOC TYPE	DOC PART	REVISION	SD-76046-001		PSD	001	F1
DOCUMENT NUMBER		DOC TYPE	DOC PART									REVISION									
SD-76046-001		PSD	001									F1									
▽ = 0	▽ = 0	GENERAL TOLERANCES (UNLESS SPECIFIED)																			
▽ = 0	▽ = 0	ANGULAR TOL ± 5.0°																			
▽ = 0	▽ = 0	4 PLACES ±																			
▽ = 0	▽ = 0	3 PLACES ±																			
▽ = 0	▽ = 0	2 PLACES ± 0.13																			
▽ = 0	▽ = 0	1 PLACE ± 0.25																			
▽ = 0	▽ = 0	0 PLACES ±																			
▽ = 0	▽ = 0	DRAFT WHERE APPLICABLE MUST REMAIN WITHIN DIMENSIONS		THIRD ANGLE PROJECTION	DRAWING	SERIES	EC NO: 685692 DRWN: NMUTHARAYAPP 2018/10/08 CHK'D: JKACHLIC 2021/11/18 APPR: JKACHLIC 2021/11/18 INITIAL REVISION: DRWN: MSANDBER 2006/10/18 APPR: RNELSON 2007/01/25														
DOCUMENT STATUS		P1	RELEASE DATE	2021/11/18	08:35:14	C-SIZE	76046	MATERIAL NUMBER	CUSTOMER	SHEET NUMBER											
SEE TABLE		GENERAL MARKET		1 OF 6																	



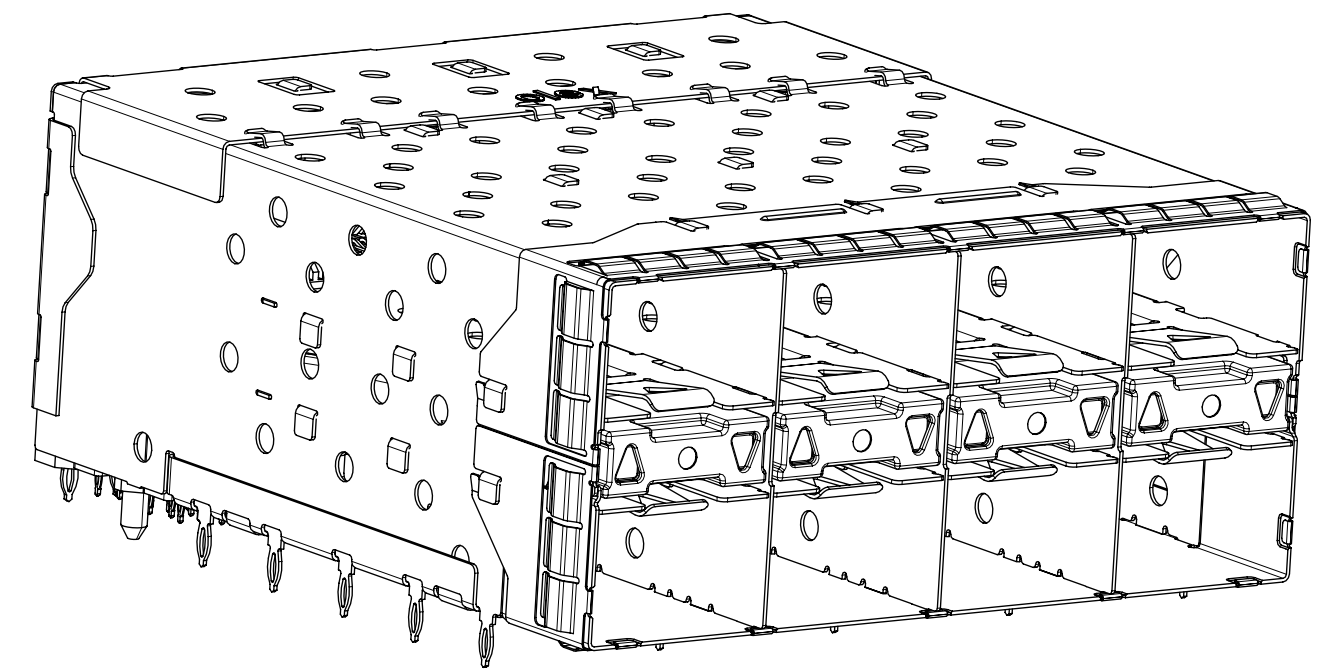
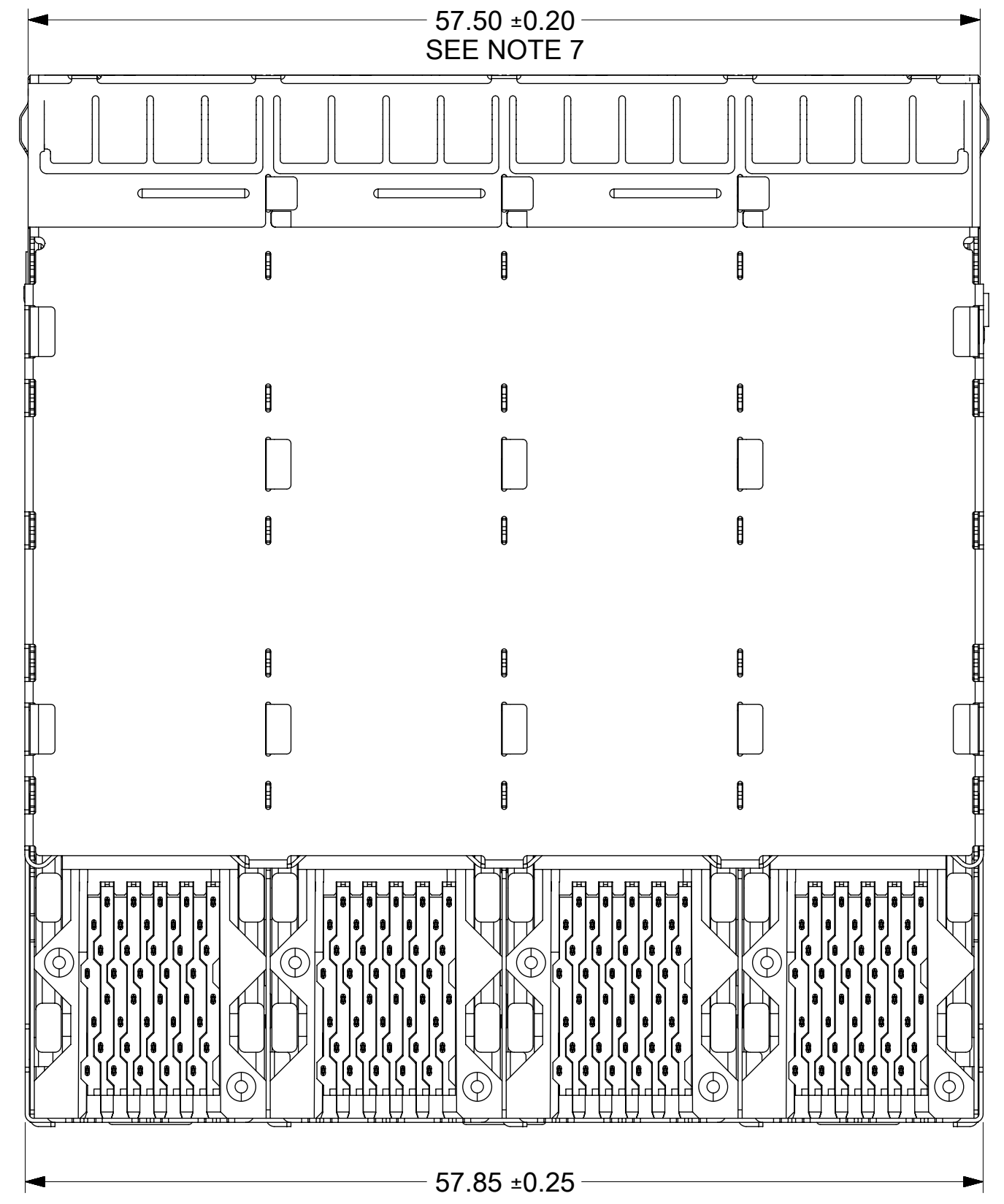
760460001 AND 760465001
WITH INNER AND OUTER LIGHTPIPES



760460002 AND 760465002
WITH INNER LIGHTPIPES

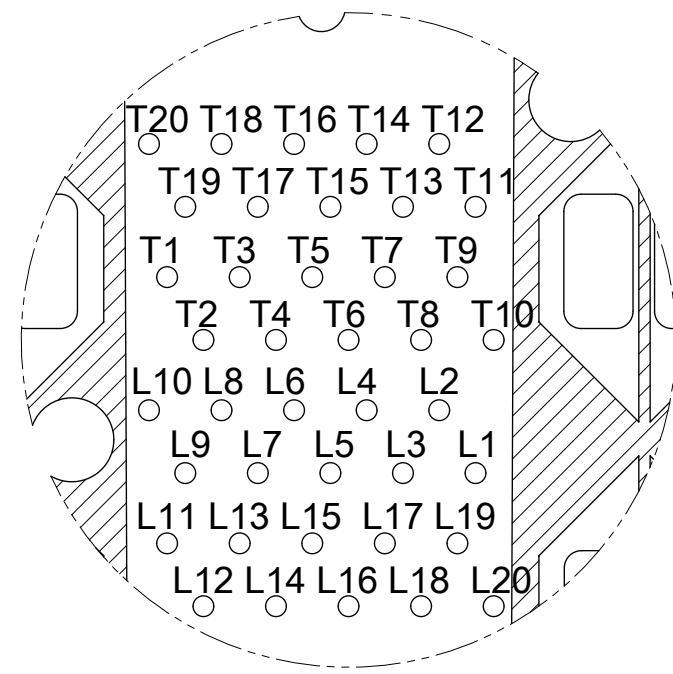


760460003 AND 760465003
WITH OUTER LIGHTPIPES

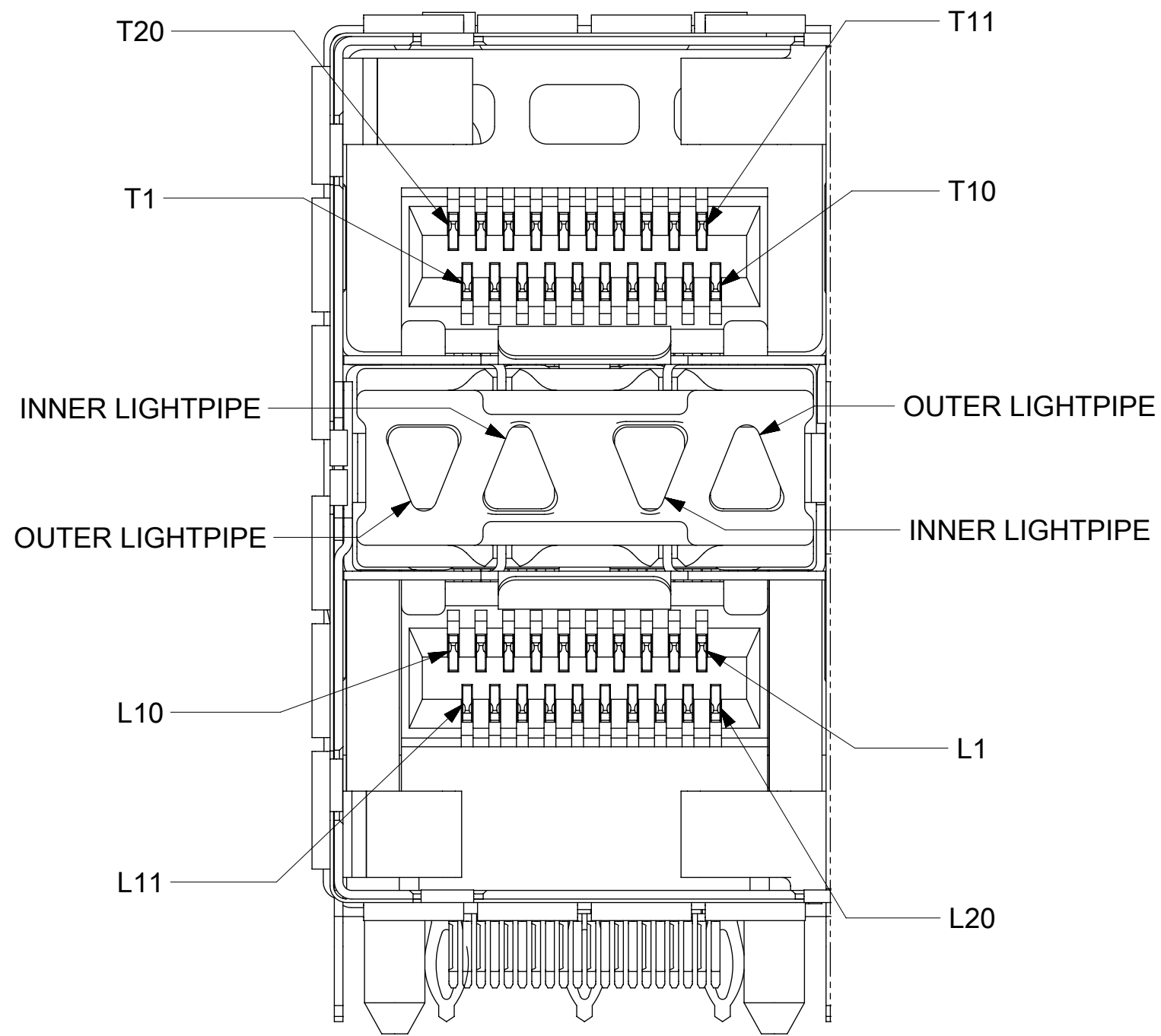


760465013
WITH OUTER LIGHTPIPES
(DIFFERENT LIGHT PIPE HOUSING)

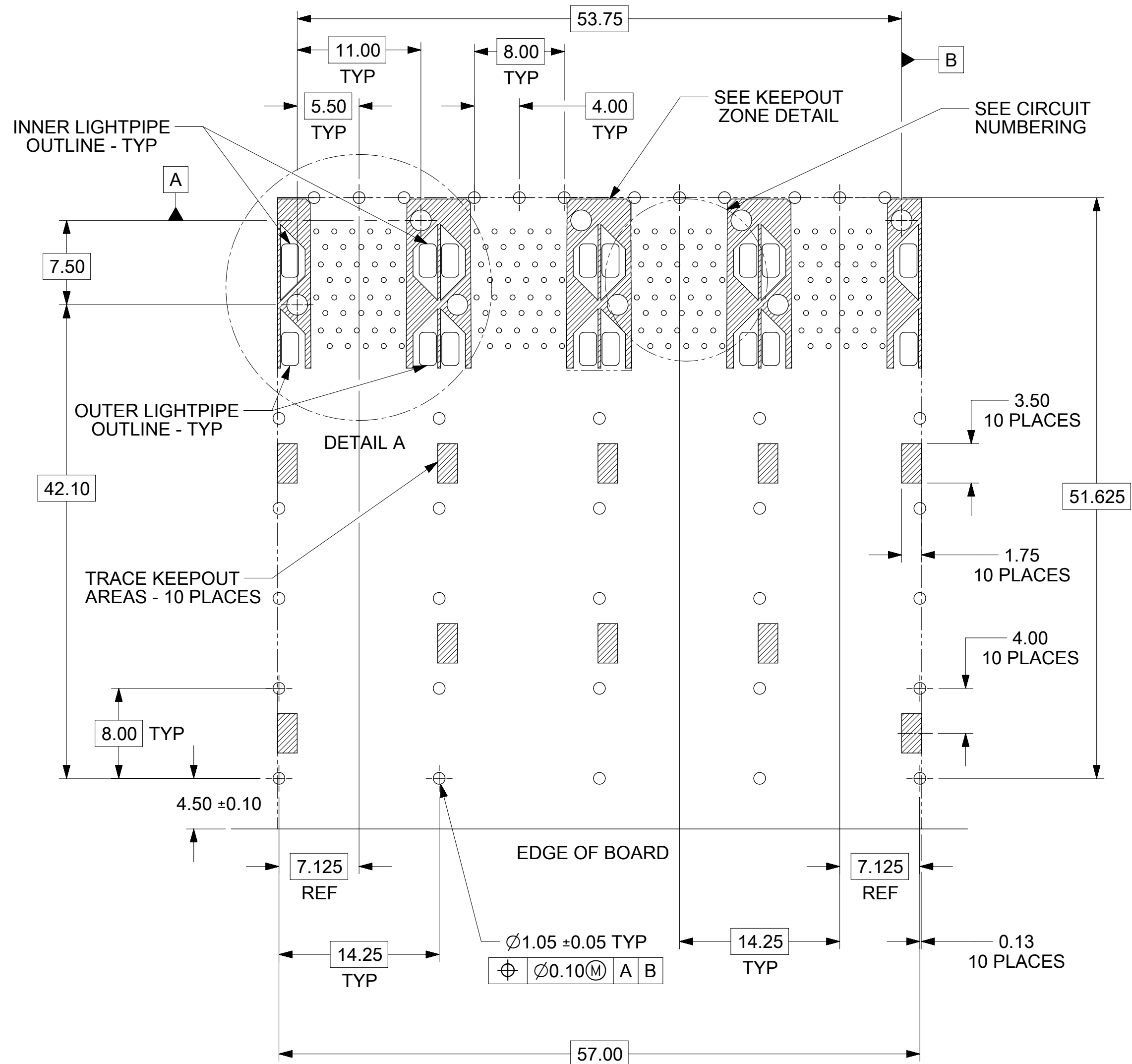
THIS DRAWING CONTAINS INFORMATION THAT IS PROPRIETARY TO MOLEX ELECTRONIC TECHNOLOGIES, LLC AND SHOULD NOT BE USED WITHOUT WRITTEN PERMISSION									
SYMBOLS		DIMENSION UNITS		SCALE		CURRENT REV DESC: MIGRATED TO NX			
▽ = 0	= 0	mm	3:1	molex STACKED SFP+ 2X4 ASS'Y WITH METAL EMI GASKET AND LIGHTPIPES PRODUCT CUSTOMER DRAWING DOCUMENT NUMBER: SD-76046-001 DOC TYPE: PSD DOC PART: 001 REVISION: F1 MATERIAL NUMBER: SEE TABLE CUSTOMER: GENERAL MARKET SHEET NUMBER: 2 OF 6					
▽ = 0	= 0	GENERAL TOLERANCES (UNLESS SPECIFIED)							
▽ = 0	= 0	ANGULAR TOL ± 5.0°							
▽ = 0	4 PLACES ±	EC NO: 685692							
▽ = 0	3 PLACES ±	DRWN: NMUTHARAYAPP 2018/10/08							
▽ = 0	2 PLACES ± 0.13	CHK'D: JKACHLIC 2021/11/18							
▽ = 0	1 PLACE ± 0.25	APPR: JKACHLIC 2021/11/18							
▽ = 0	0 PLACES ±	INITIAL REVISION:							
▽ = 0	DRAFT WHERE APPLICABLE MUST REMAIN WITHIN DIMENSIONS	DRWN: MSANDBER 2006/10/18							
▽ = 0		APPR: RNELSON 2007/01/25							
THIRD ANGLE PROJECTION		DRAWING		SERIES		MATERIAL NUMBER			
C-SIZE		76046		SEE TABLE		CUSTOMER			
				GENERAL MARKET		SHEET NUMBER			
				2 OF 6					



CIRCUIT NUMBERING
 COMPONENT SIDE OF BOARD
 SCALE 6:1



DETAIL B
 SCALE 6:1
 CIRCUIT NUMBERING
 AND LIGHTPIPE
 IDENTIFICATION



RECOMMENDED PCB LAYOUT - COMPONENT SIDE
 RECOMMENDED PCB THICKNESS - 2.36 MM (.093 INCH)

THE ENTIRE AREA OF THE CONNECTOR FOOTPRINT
 TO BE CONSIDERED THE KEEP OUT AREA FOR COMPONENTS
 (OTHER THAN THE LIGHTPIPE LED'S)
 THIS AREA IS INDICATED BY THE DASHED LINE

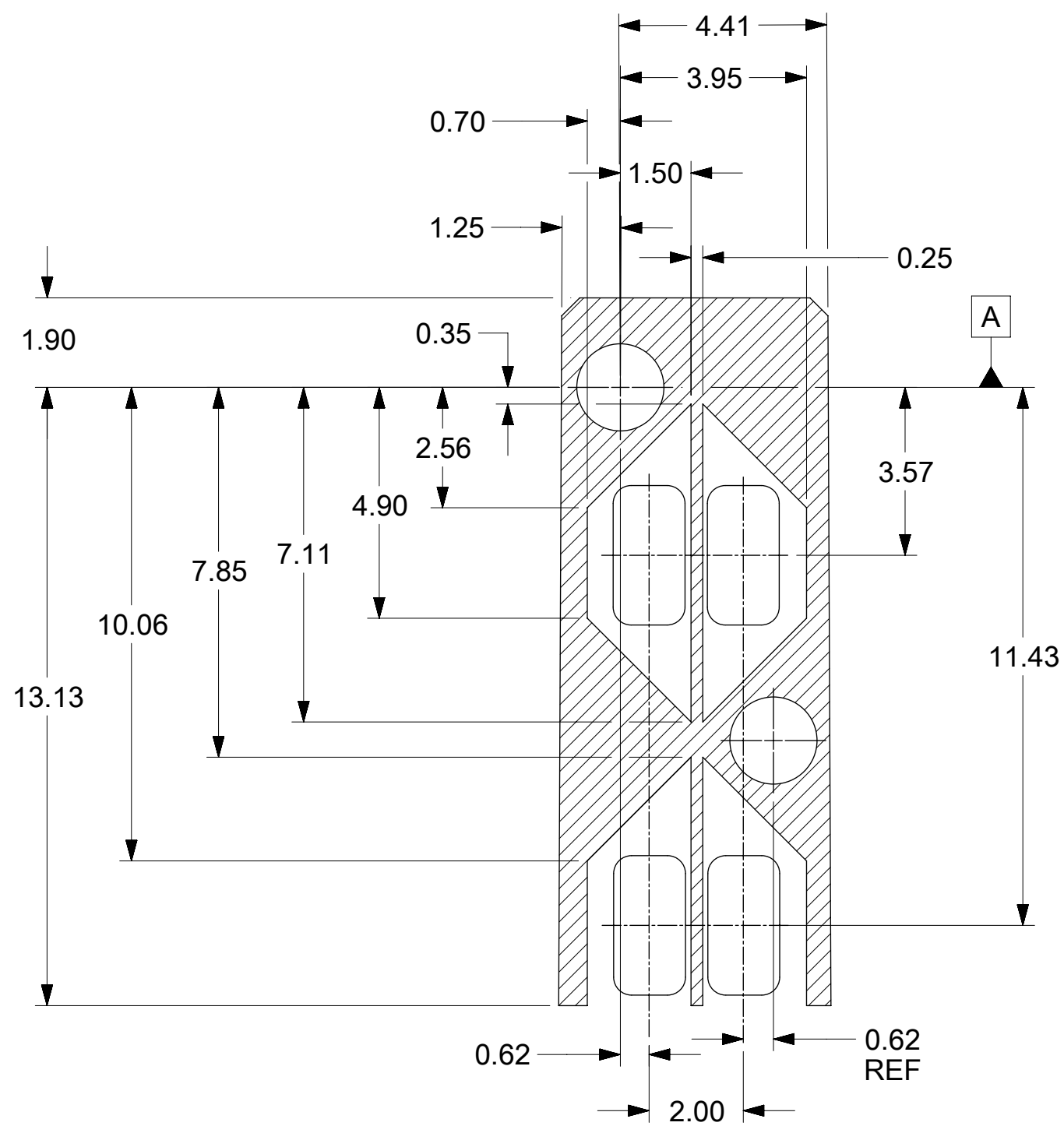
THIS DRAWING CONTAINS INFORMATION THAT IS PROPRIETARY TO MOLEX ELECTRONIC TECHNOLOGIES, LLC AND SHOULD NOT BE USED WITHOUT WRITTEN PERMISSION											
SYMBOLS		DIMENSION UNITS		SCALE		CURRENT REV DESC: MIGRATED TO NX					
▽ = 0		mm		3:1		EC NO: 685692					
▽ = 0		GENERAL TOLERANCES (UNLESS SPECIFIED)				DRWN: NMUTHARAYAPP 2018/10/08					
▽ = 0		ANGULAR TOL ± 5.0°				CHK'D: JKACHLIC 2021/11/18					
▽ = 0		4 PLACES ±				APPR: JKACHLIC 2021/11/18					
▽ = 0		3 PLACES ±				INITIAL REVISION:					
▽ = 0		2 PLACES ± 0.13				DRWN: MSANDBER 2006/10/18					
▽ = 0		1 PLACE ± 0.25				APPR: RNELSON 2007/01/25					
▽ = 0		0 PLACES ±				THIRD ANGLE PROJECTION		DRAWING		SERIES	
▽ = 0		DRAFT WHERE APPLICABLE MUST REMAIN WITHIN DIMENSIONS				C-SIZE		76046		MATERIAL NUMBER	
		DOCUMENT STATUS		P1		RELEASE DATE		2021/11/18 08:35:14		CUSTOMER	
		DOCUMENT NUMBER		SD-76046-001		DOC TYPE		PSD		DOC PART	
		SHEET NUMBER		3 OF 6		REVISION		F1		GENERAL MARKET	

molex

STACKED SFP+ 2X4 ASS'Y
 WITH METAL EMI GASKET AND LIGHTPIPES

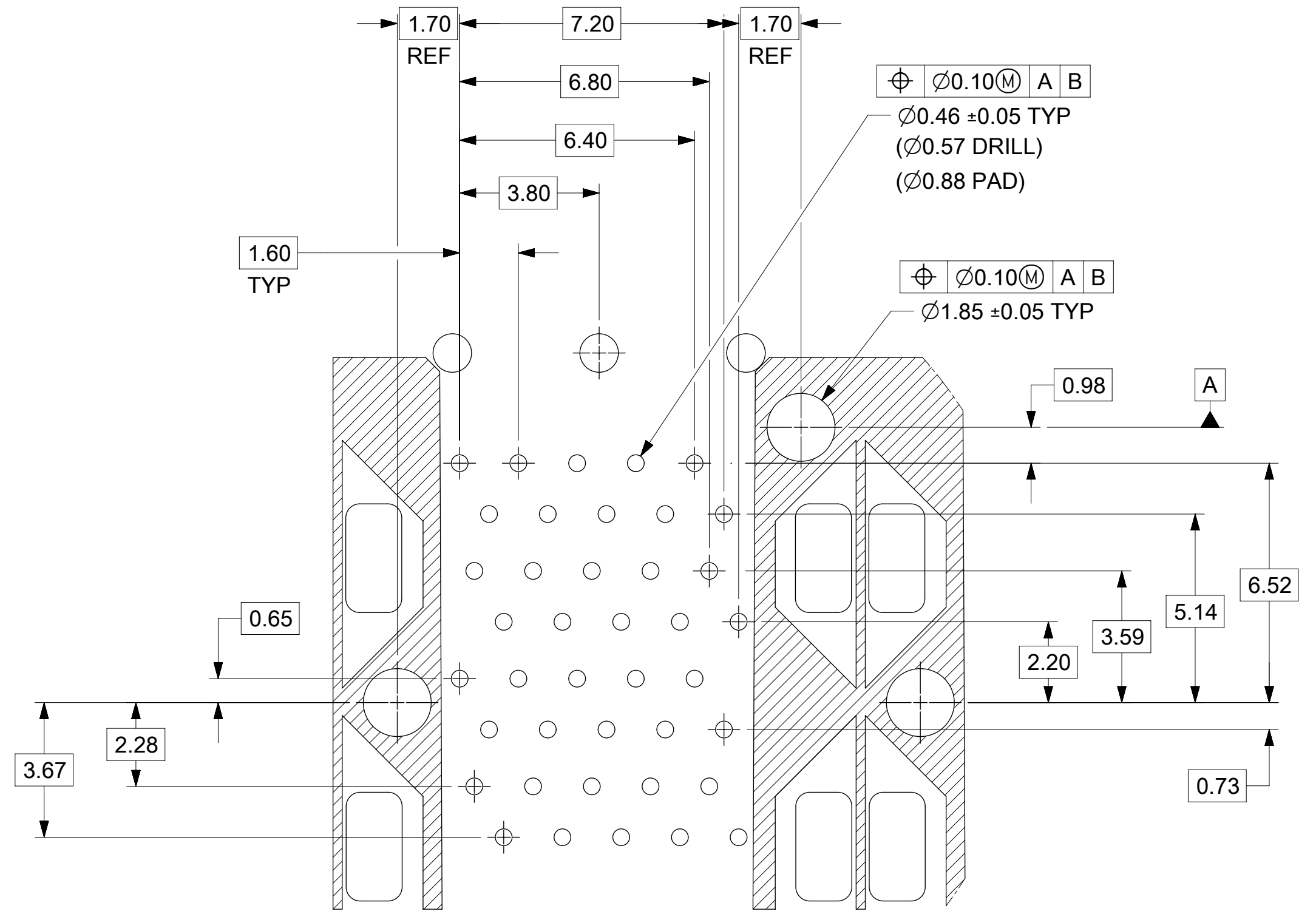
PRODUCT CUSTOMER DRAWING

DOCUMENT NUMBER	DOC TYPE	DOC PART	REVISION
SD-76046-001	PSD	001	F1
MATERIAL NUMBER	CUSTOMER	SHEET NUMBER	
SEE TABLE	GENERAL MARKET	3 OF 6	



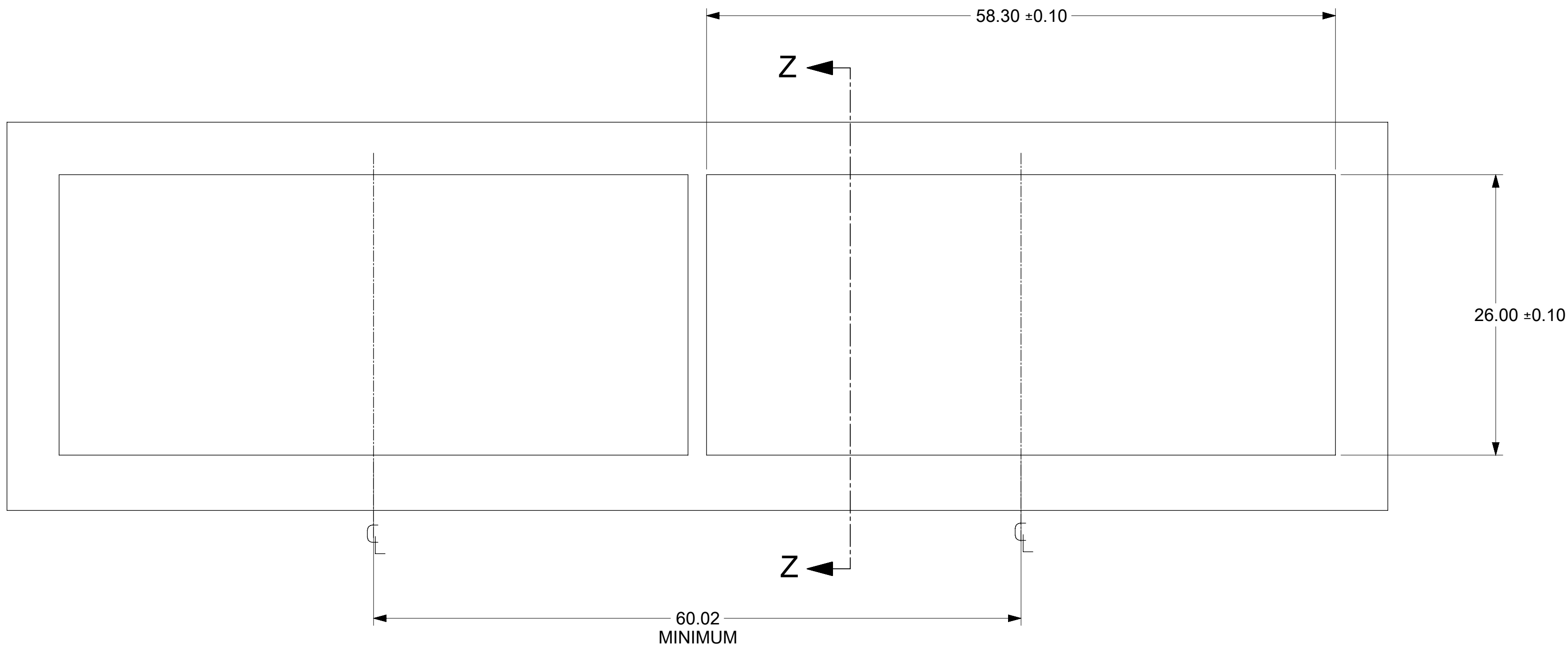
KEEPOUT ZONE DETAIL - LIGHTPIPE LOCATION AND OTHER ZONES
SCALE 8:1

THE HATCHED AREA IN THIS VIEW INDICATES ZONES THAT ARE OCCUPIED BY THE PLASTIC HOUSING THAT SEATS AGAINST THE PCB AND BY THE VERTICAL METAL CAGE WALL THAT STOPS JUST SHORT OF THE PCB

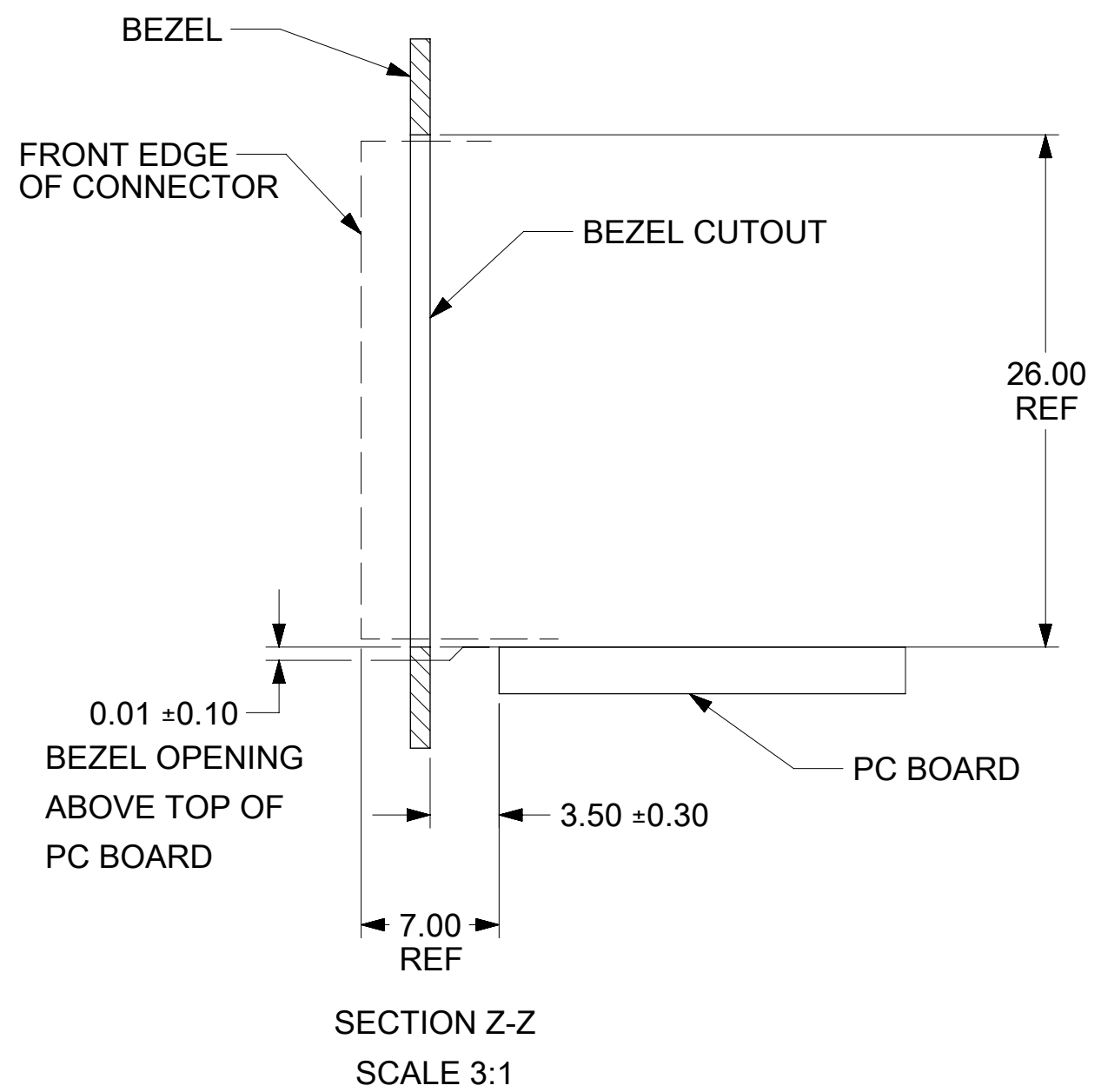


DETAIL A
SCALE 8:1

THIS DRAWING CONTAINS INFORMATION THAT IS PROPRIETARY TO MOLEX ELECTRONIC TECHNOLOGIES, LLC AND SHOULD NOT BE USED WITHOUT WRITTEN PERMISSION										
SYMBOLS		DIMENSION UNITS	SCALE	CURRENT REV DESC: MIGRATED TO NX						
	= 0	mm	8:1	molex STACKED SFP+ 2X4 ASS'Y WITH METAL EMI GASKET AND LIGHTPIPES PRODUCT CUSTOMER DRAWING						
	= 0	GENERAL TOLERANCES (UNLESS SPECIFIED)								
	= 0	ANGULAR TOL ± 5.0°								
	= 0	4 PLACES ±								
	= 0	3 PLACES ±								
	= 0	2 PLACES ± 0.13		EC NO: 685692 DRWN: NMUTHARAYAPP 2018/10/08 CHK'D: JKACHLIC 2021/11/18 APPR: JKACHLIC 2021/11/18						
	= 0	1 PLACE ± 0.25		INITIAL REVISION: DRWN: MSANDBER 2006/10/18 APPR: RNELSON 2007/01/25						
	= 0	0 PLACES ±		DRAFT WHERE APPLICABLE MUST REMAIN WITHIN DIMENSIONS		THIRD ANGLE PROJECTION		DRAWING SERIES C-SIZE 76046		
DOCUMENT STATUS				P1	RELEASE DATE		2021/11/18	08:35:14	DOCUMENT NUMBER SD-76046-001	
DOCUMENT STATUS				P1	RELEASE DATE		2021/11/18	08:35:14	DOC TYPE DOC PART REVISION PSD 001 F1	
DOCUMENT STATUS				P1	RELEASE DATE		2021/11/18	08:35:14	MATERIAL NUMBER CUSTOMER SHEET NUMBER SEE TABLE GENERAL MARKET 4 OF 6	




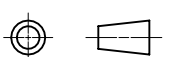
**BEZEL CUTOUT CENTER SPACING DETAIL
BEZEL THICKNESS 0.8-2.6**



SYMBOLS ▽ = 0 ▽ = 0 ▽ = 0 ▽ = 0 ▽ = 0 ▽ = 0 ▽ = 0 ▽ = 0 ▽ = 0 ▽ = 0	THIS DRAWING CONTAINS INFORMATION THAT IS PROPRIETARY TO MOLEX ELECTRONIC TECHNOLOGIES, LLC AND SHOULD NOT BE USED WITHOUT WRITTEN PERMISSION													
	DIMENSION UNITS	SCALE	CURRENT REV DESC: MIGRATED TO NX											
	mm	3:1												
	GENERAL TOLERANCES (UNLESS SPECIFIED)			EC NO: 685692								STACKED SFP+ 2X4 ASS'Y WITH METAL EMI GASKET AND LIGHTPIPES		
	ANGULAR TOL ± 5.0°			DRWN: NMUTHARAYAPP 2018/10/08				CHK'D: JKACHLIC 2021/11/18						
	4 PLACES ±			APPR: JKACHLIC 2021/11/18				INITIAL REVISION:						
	3 PLACES ±			DRWN: MSANDBER 2006/10/18				DOCUMENT NUMBER				DOC TYPE	DOC PART	REVISION
	2 PLACES ± 0.13			APPR: RNELSON 2007/01/25				SD-76046-001				PSD	001	F1
	1 PLACE ± 0.25			DRAFT WHERE APPLICABLE MUST REMAIN WITHIN DIMENSIONS				MATERIAL NUMBER				CUSTOMER		SHEET NUMBER
	0 PLACES ±			THIRD ANGLE PROJECTION		DRAWING	SERIES	SEE TABLE		GENERAL MARKET		5 OF 6		
		C-SIZE		76046										

REVISION HISTORY

DATE	REV	DESCRIPTION
2021/10/21	F1	1. C5 ON PAGE 1: ADD NEW PN 760465013 TO REPRESENT NEW DISTRIBUTION OF OUTER LIGHTPIPE BY REPLACING LIGHTPIPE HOUSING 2. C4 ON PAGE 2: ADD ILLUSTRATION OF 760465013.

FUNCTIONAL SYMBOLS										THIS DRAWING CONTAINS INFORMATION THAT IS PROPRIETARY TO MOLEX ELECTRONIC TECHNOLOGIES, LLC AND SHOULD NOT BE USED WITHOUT WRITTEN PERMISSION										
DIMENSION UNITS					SCALE					CURRENT REV DESC: MIGRATED TO NX										
mm					1:1															
GENERAL TOLERANCES (UNLESS SPECIFIED)										EC NO: 685692										
ANGULAR TOL ± 5.0°										DRWN: NMUTHARAYAPP 2018/10/08					2021/11/18					
4 PLACES ±										CHK'D: JKACHLIC					2021/11/18					
3 PLACES ±										APPR: JKACHLIC					2021/11/18					
2 PLACES ± 0.13										INITIAL REVISION:					DOCUMENT NUMBER					
1 PLACE ± 0.25										DRWN: MSANDBER 2006/10/18					SD-76046-001					
0 PLACES ±										APPR: RNELSON 2007/01/25					PSD		001		F1	
DRAFT WHERE APPLICABLE MUST REMAIN WITHIN DIMENSIONS					THIRD ANGLE PROJECTION					DRAWING		SERIES		MATERIAL NUMBER		CUSTOMER		SHEET NUMBER		
										C-SIZE		76046		GENERAL MARKET		6 OF 6				

DOCUMENT STATUS	P1	RELEASE DATE	2021/11/18 08:35:14
-----------------	----	--------------	---------------------