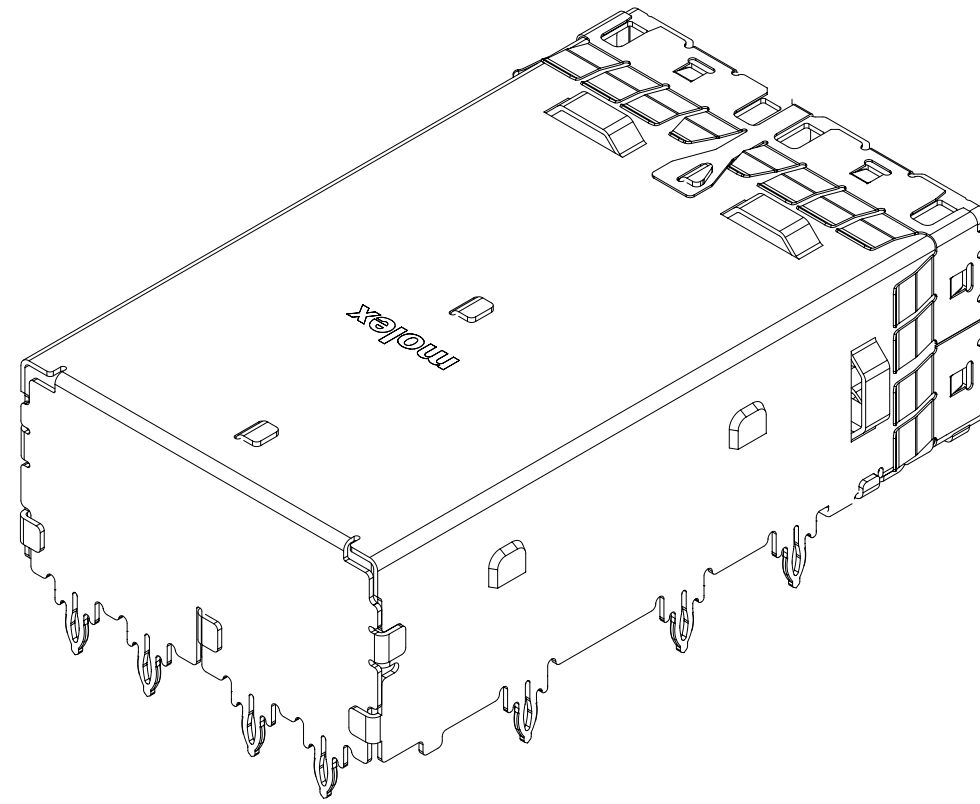
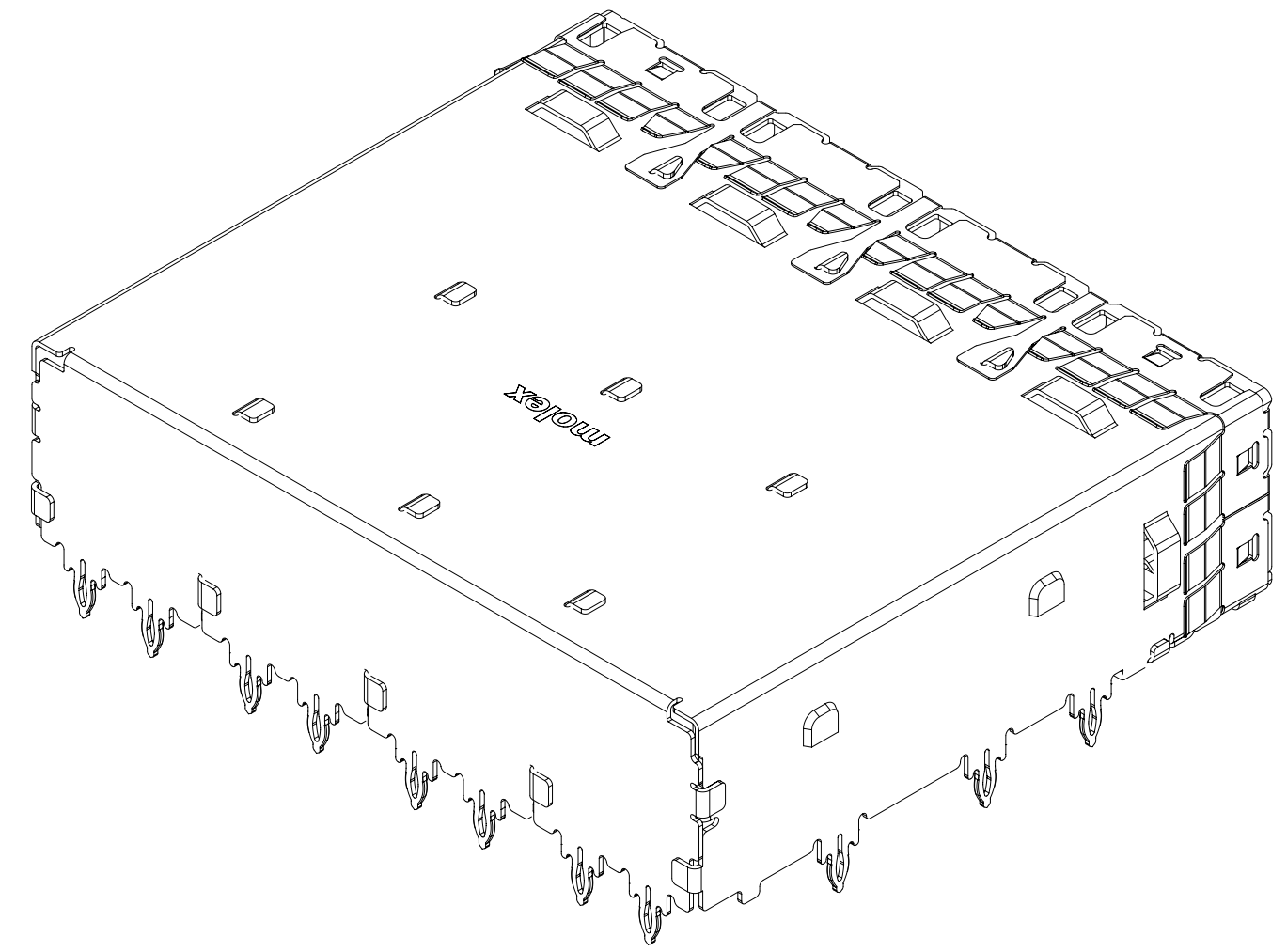


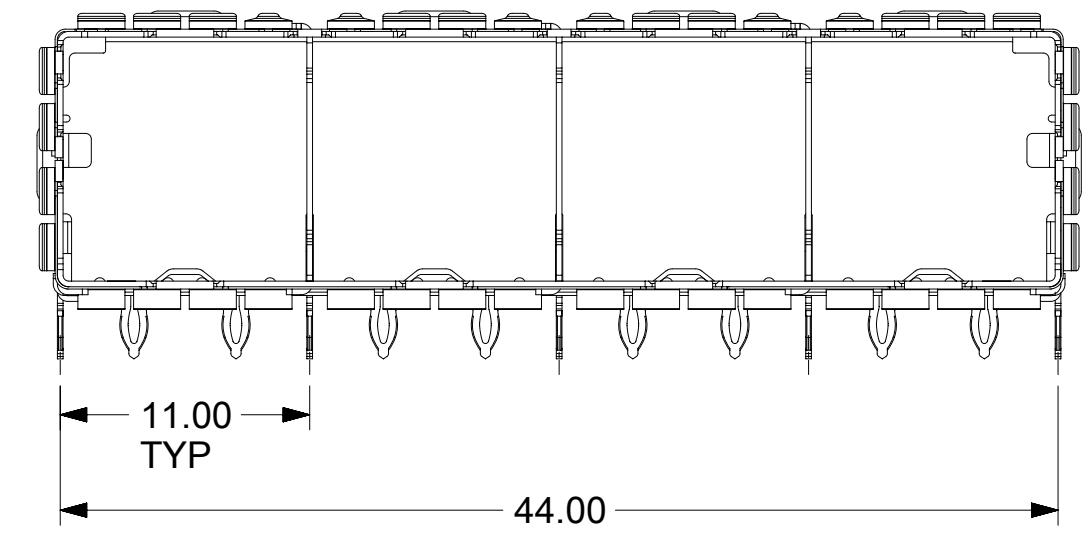
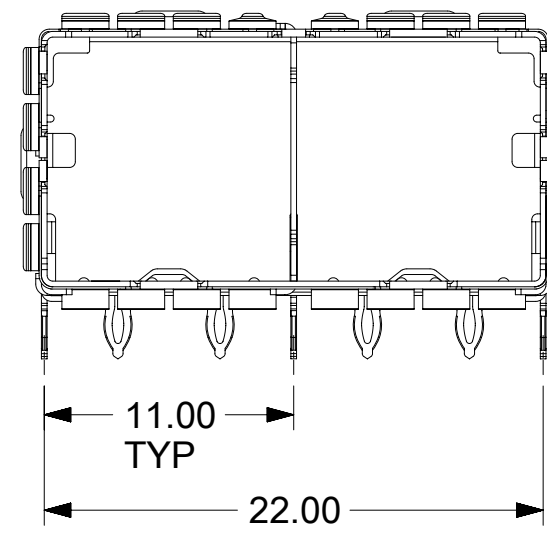
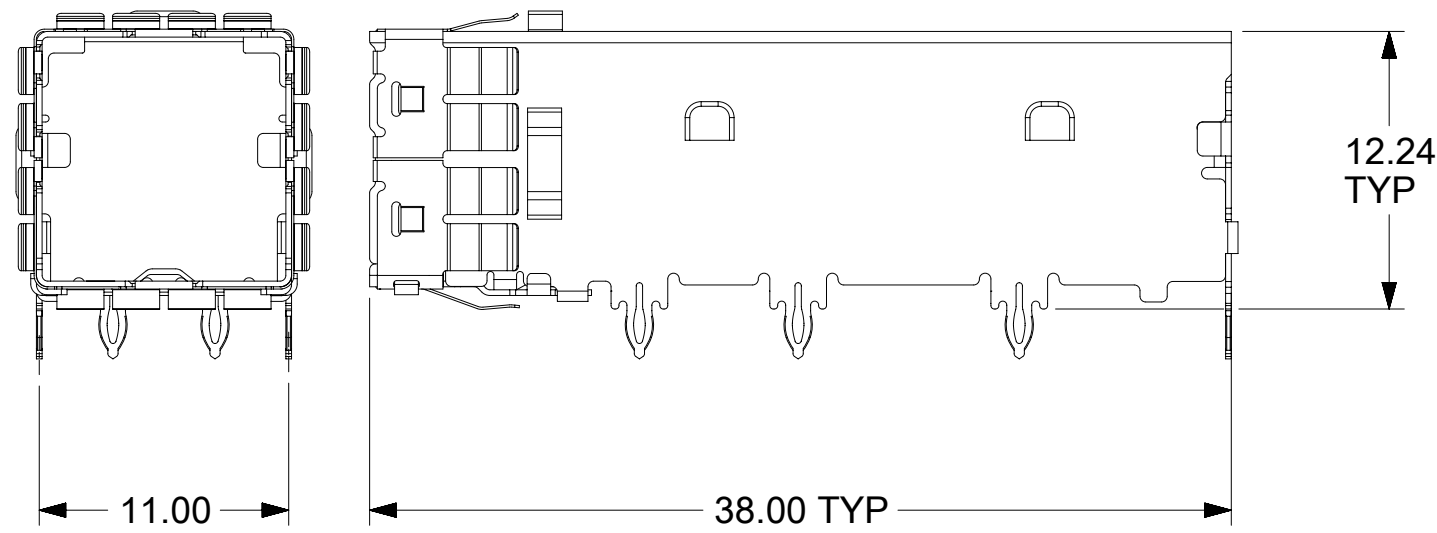
1X1



1X2



1X4



NOTES:

1. MATERIALS:
EMI CAGE: STAINLESS STEEL
EMI FINGERS: COPPER ALLOY
2. FINISHES:
EMI FINGERS: 0.50µM MIN NICKEL
3. FOR FOOTPRINT AND ASSEMBLY INFORMATION REFER TO
SALES DRAWING: PDD 1724731111
4. MOUNTING INFORMATION REFER TO
APPLICATION SPECIFICATION 1724730001
5. PACKAGING SPECIFICATION: PDD 1724738000
6. THIS PART CONFORMS TO CLASS C REQUIREMENTS OF MOLEX COSMETIC
SPECIFICATION PS-45499-002

CONFIGURATION	MATERIAL NUMBER
1X1	1724735001
1X2	1724735002
1X4	1724735004

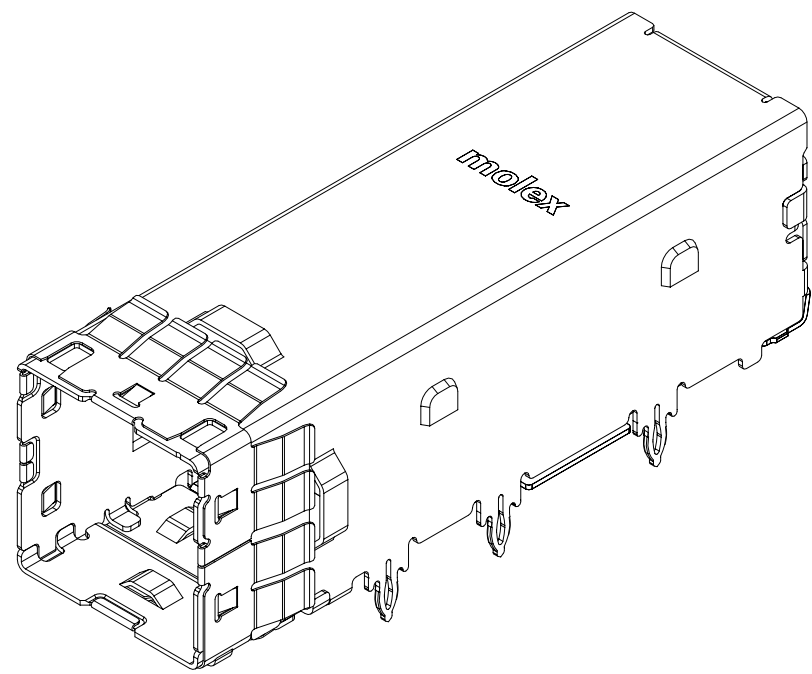
THIS DRAWING CONTAINS INFORMATION THAT IS PROPRIETARY TO MOLEX ELECTRONIC TECHNOLOGIES, LLC AND SHOULD NOT BE USED WITHOUT WRITTEN PERMISSION									
SYMBOLS		DIMENSION UNITS		SCALE		CURRENT REV DESC:			
▽ = 0	= 0	mm	3:1						
▽ = 0	= 0	GENERAL TOLERANCES (UNLESS SPECIFIED)				EC NO: 178504			
▽ = 0	= 0	ANGULAR TOL ± 1.0°				DRWN: AKOLAK 2018/06/28			
▽ = 0	= 0	4 PLACES ±				CHK'D: TMCLELLAND 2018/06/28			
▽ = 0	= 0	3 PLACES ± 0.1				APPR: TMCLELLAND 2018/06/28			
▽ = 0	= 0	2 PLACES ± 0.15				INITIAL REVISION:			
▽ = 0	= 0	1 PLACE ± 0.25				DRWN: AKOLAK 2018/04/10			
▽ = 0	= 0	0 PLACES ±				APPR: TMCLELLAND 2018/06/27			
▽ = 0	= 0	DRAFT WHERE APPLICABLE MUST REMAIN WITHIN DIMENSIONS		THIRD ANGLE PROJECTION		DRAWING		SERIES	
▽ = 0	= 0			C-SIZE		172473			
DOCUMENT STATUS		P1		RELEASE DATE		2018/06/28 19:22:27			
DOCUMENT NUMBER		1724730012		DOC TYPE		PSD		DOC PART	
MATERIAL NUMBER		SEE TABLE		CUSTOMER		GENERAL MARKET		SHEET NUMBER	
CONFIGURATION		1X1		DOC PART		000		REVISION	
MATERIAL NUMBER		1724735001						A1	
CONFIGURATION		1X2							
MATERIAL NUMBER		1724735002							
CONFIGURATION		1X4							
MATERIAL NUMBER		1724735004							

molex

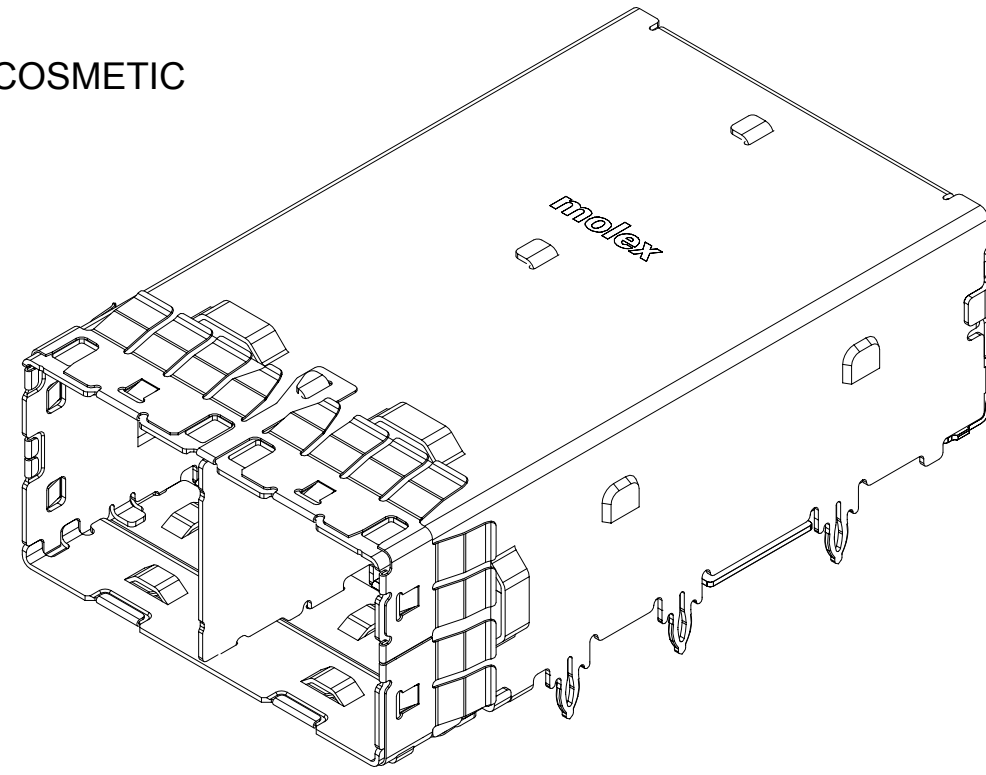
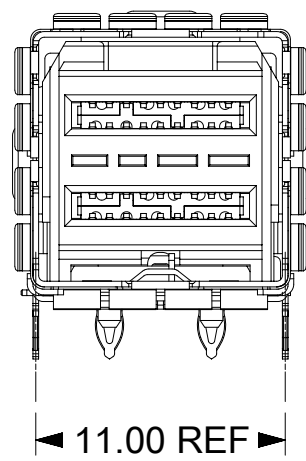
IPASS ZHD RA SMT EXTERNAL CAGE SD

PRODUCT CUSTOMER DRAWING

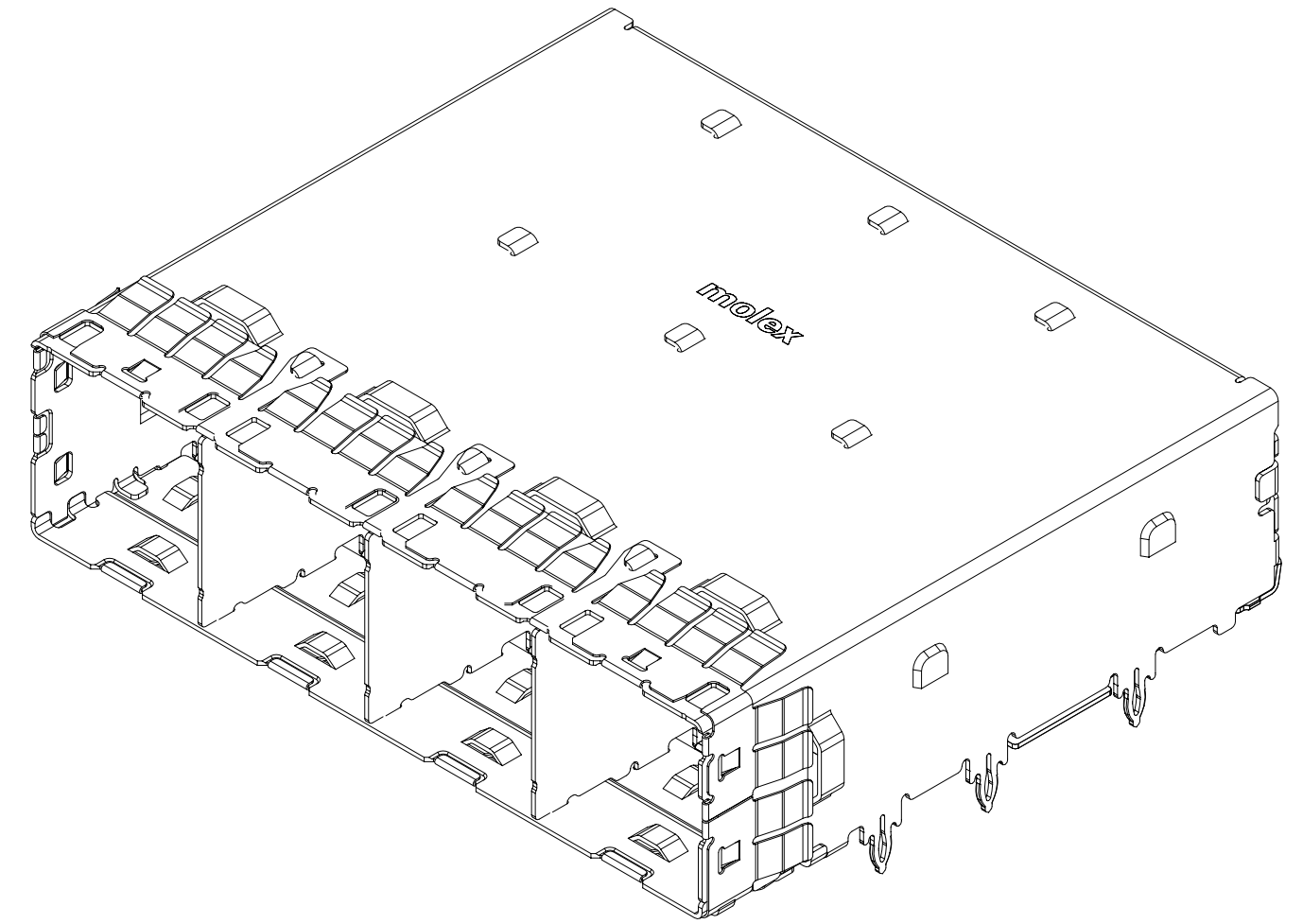
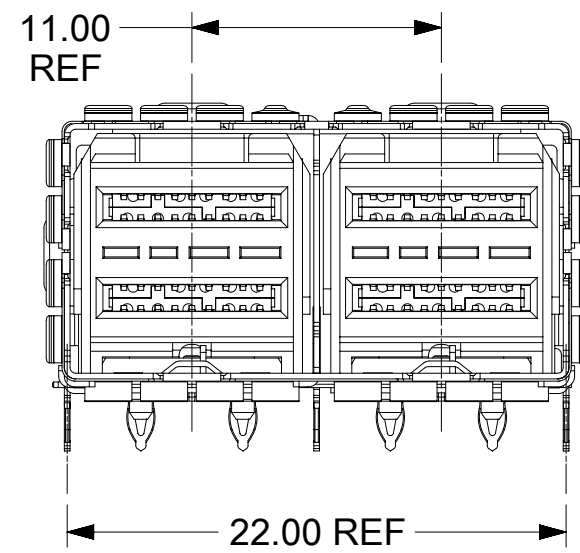
- NOTES:
1. FOR 2 PEG CONNECTOR DETAILS REFER TO SALES DRAWING: PSD 1724730011
 2. FOR 3 PEG CONNECTOR DETAILS REFER TO SALES DRAWING: PSD 1724739995
 3. FOR CAGE DETAILS REFER TO SALES DRAWING: PSD 1724730012
 4. PRODUCT SPECIFICATION: 1724730011
 5. MOUNTING INFORMATION: REFER TO APPLICATION SPECIFICATION: 1724730001
 6. MATES WITH: MOLEX CABLE SERIES 111068, 111073, 111074, & 111075
 7. PLUG MODULE PCB LAYOUT REFER TO SD-76866-9900
 8. THIS PART CONFORMS TO CLASS C REQUIREMENTS OF MOLEX COSMETIC SPECIFICATION PS-45499-002



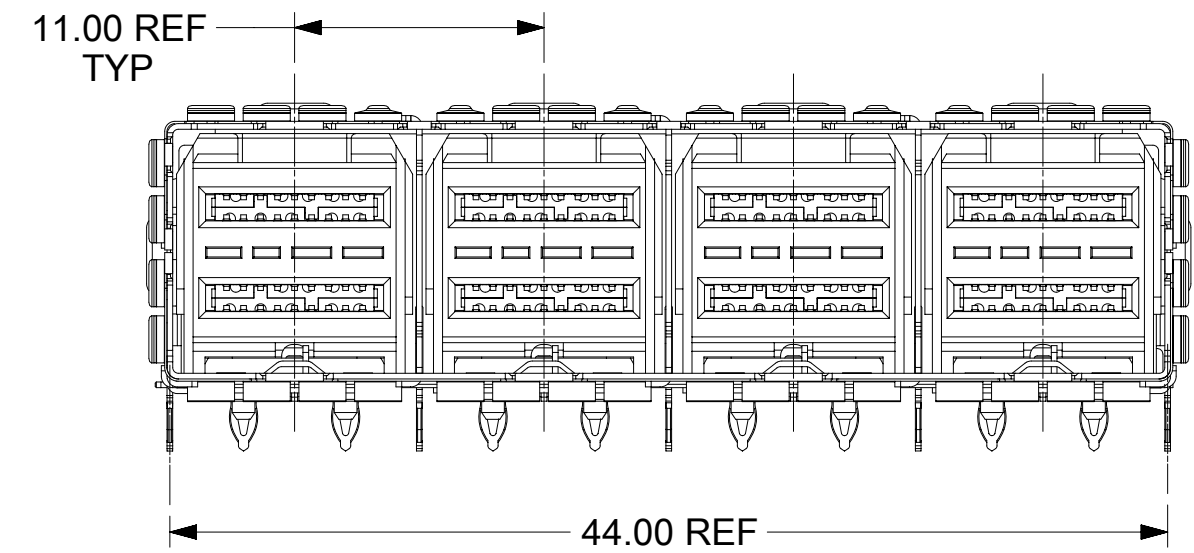
1 X 1



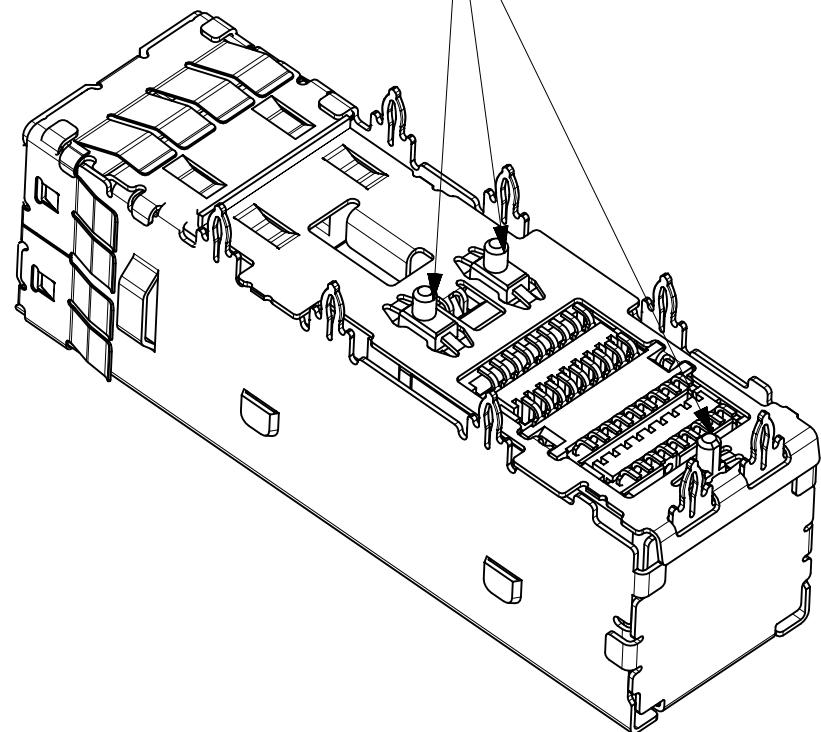
1 X 2



1 X 4

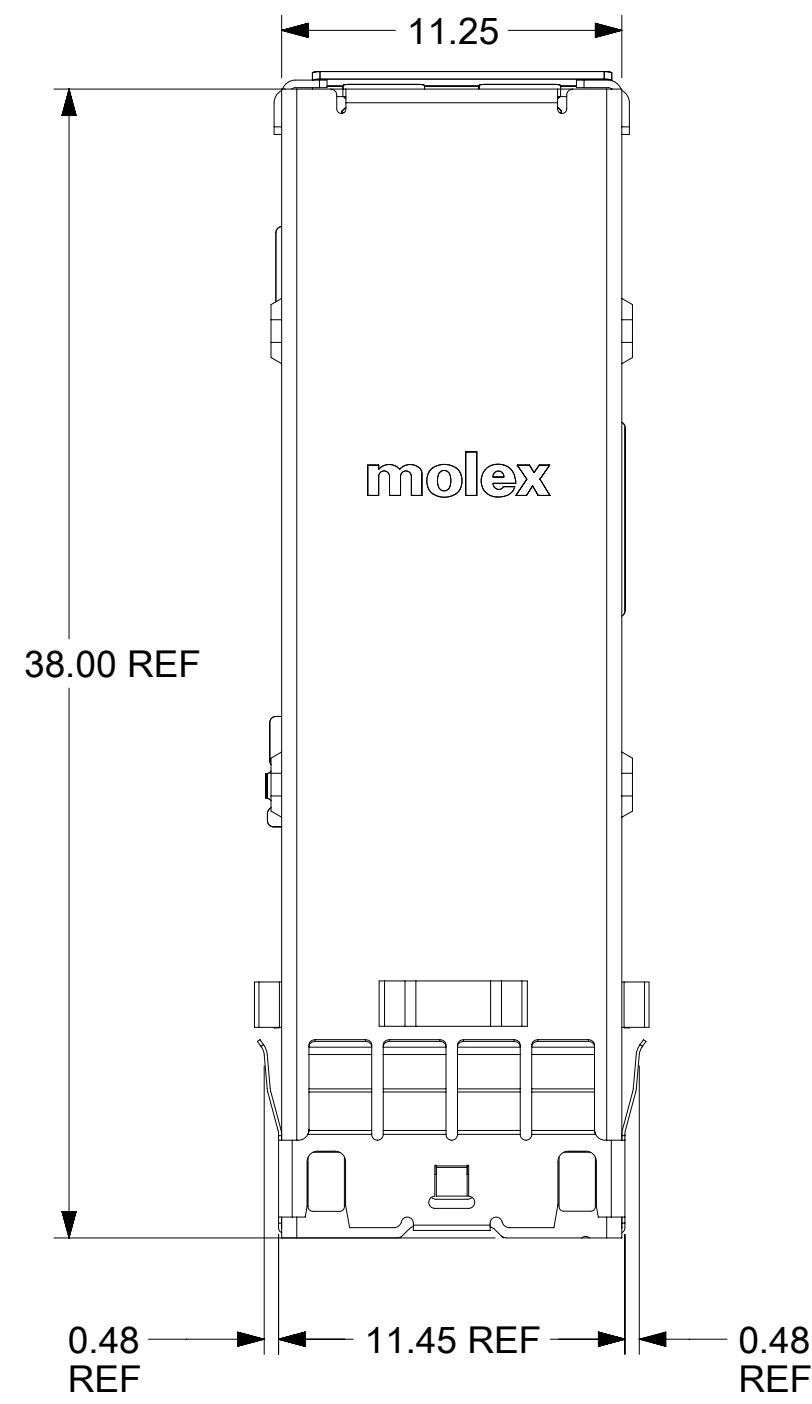


1724739995 CONNECTOR WITH 3 PEG

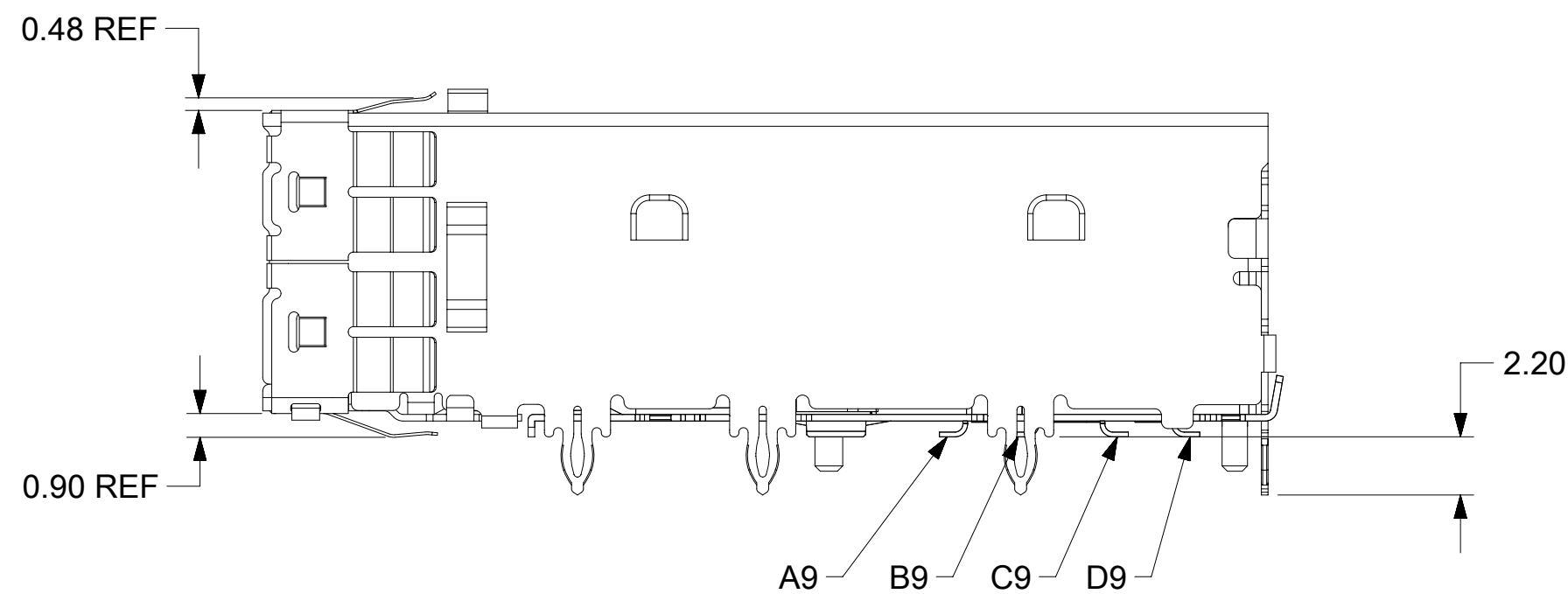
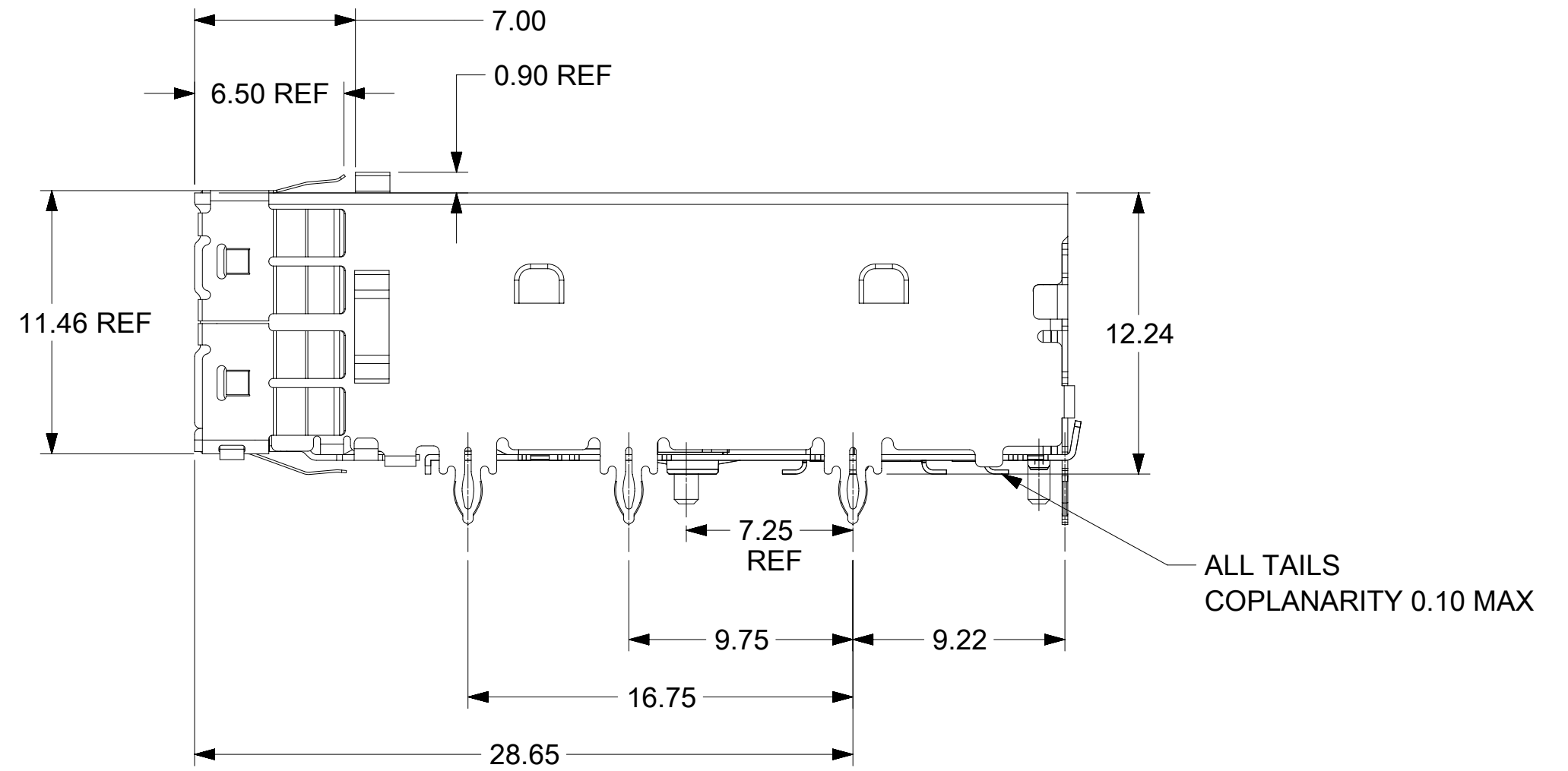
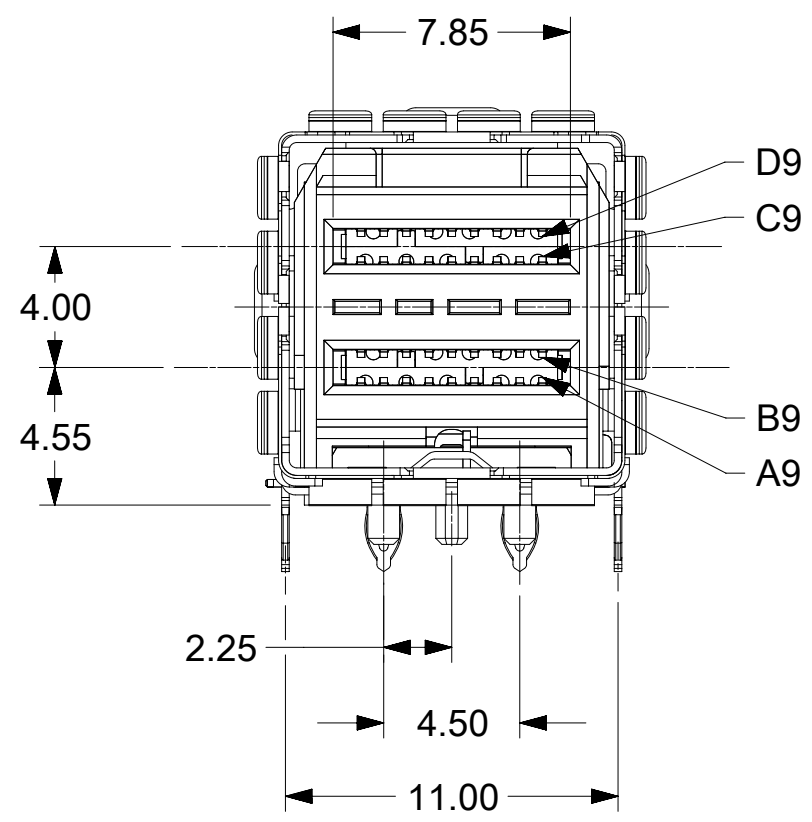


CONFIGURATION	MATERIAL NUMBER	
	CAGE	CONNECTOR WITH 3 PEG
1 x 1	1724735001	1724739995 (1X)
1 x 2	1724735002	1724739995 (2X)
1 x 4	1724735004	1724739995 (4X)

FUNCTIONAL SYMBOLS $\nabla_A = 0$ $\nabla_E = 0$ $\nabla_P = 0$ DIVISIONAL SYMBOLS	THIS DRAWING CONTAINS INFORMATION THAT IS PROPRIETARY TO MOLEX ELECTRONIC TECHNOLOGIES, LLC AND SHOULD NOT BE USED WITHOUT WRITTEN PERMISSION		molex IPASS RA SMT EXTERNAL SD					
	DIMENSION UNITS	SCALE					CURRENT REV DESC:	
	mm	3:1	EC NO: 733789		1724731111	PSD	001	B6
	GENERAL TOLERANCES (UNLESS SPECIFIED)		DRWN: SUGEEB		PRODUCT CUSTOMER DRAWING			
ANGULAR TOL ± °		2023/01/03						
4 PLACES ±		2023/01/19						
3 PLACES ± 0.1		2023/01/19						
2 PLACES ± 0.15		2017/11/10						
1 PLACE ± 0.25		2018/06/27						
0 PLACES ±		APPR: TMCLELLAND						
DRAFT WHERE APPLICABLE MUST REMAIN WITHIN DIMENSIONS		THIRD ANGLE PROJECTION	DRAWING	SERIES	MATERIAL NUMBER	CUSTOMER	SHEET NUMBER	
			C-SIZE	172473	SEE TABLE	GENERAL MARKET	1 OF 5	



SHOWN 1X1 ASSEMBLY WITH 1724739995 CONNECTOR

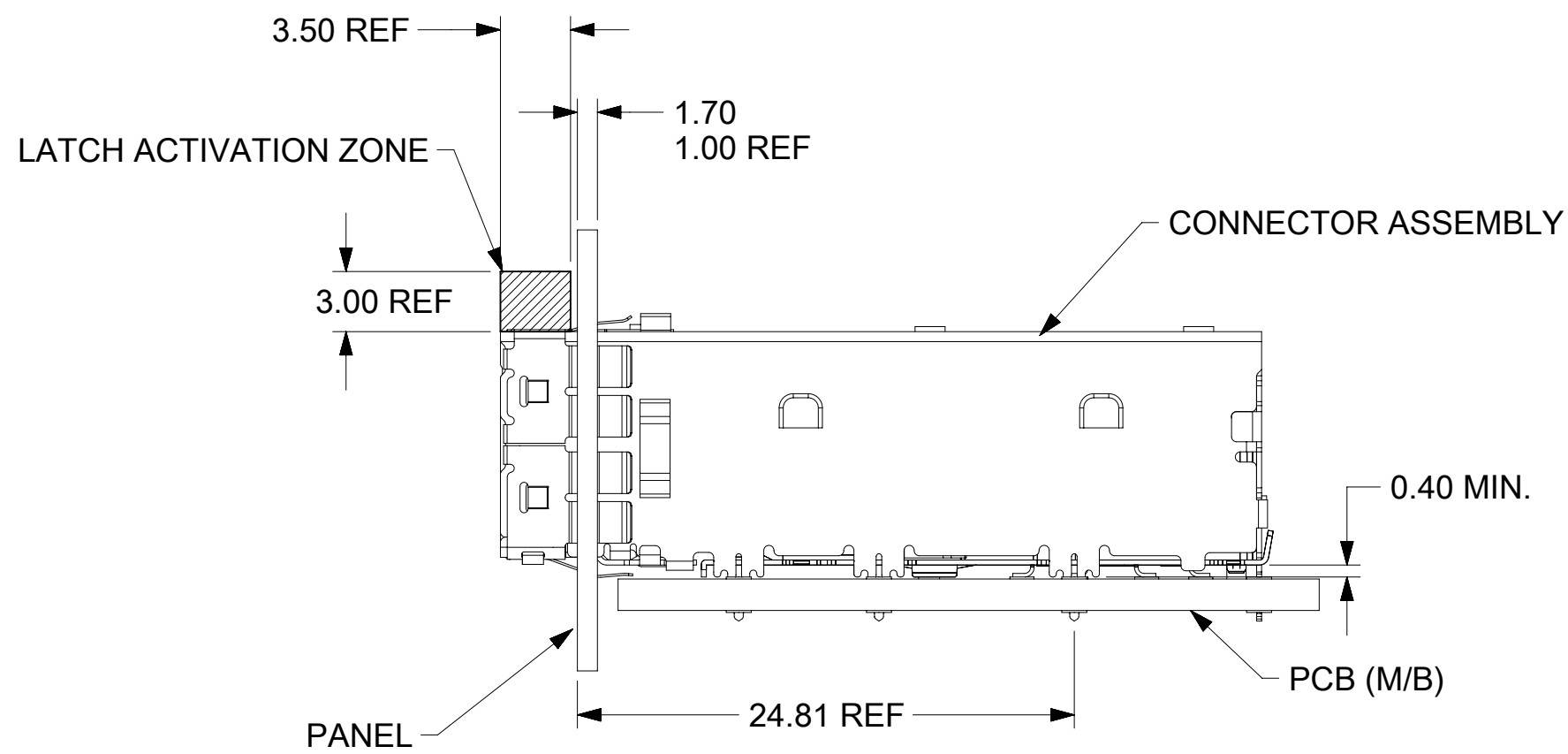


FUNCTIONAL SYMBOLS	THIS DRAWING CONTAINS INFORMATION THAT IS PROPRIETARY TO MOLEX ELECTRONIC TECHNOLOGIES, LLC AND SHOULD NOT BE USED WITHOUT WRITTEN PERMISSION					
	DIMENSION UNITS	SCALE	CURRENT REV DESC:			
$\nabla_A = 0$	mm	4:1	EC NO: 733789 DRWN: SUGEEB 2023/01/03			
$\nabla_C = 0$	GENERAL TOLERANCES (UNLESS SPECIFIED)					
$\nabla_P = 0$	ANGULAR TOL ± °		2023/01/19			
DIVISIONAL SYMBOLS	4 PLACES	±	2023/01/19			
	3 PLACES	± 0.1	INITIAL REVISION:			
	2 PLACES	± 0.15	DRWN: AKOLAK 2017/11/10			
	1 PLACE	± 0.25	APPR: TMCLELLAND 2018/06/27			
0 PLACES	±		DOCUMENT NUMBER	DOC TYPE	DOC PART	REVISION
DRAFT WHERE APPLICABLE MUST REMAIN WITHIN DIMENSIONS			1724731111	PSD	001	B6
THIRD ANGLE PROJECTION			MATERIAL NUMBER	CUSTOMER	SHEET NUMBER	
			SEE TABLE	GENERAL MARKET	2 OF 5	
DRAWING			SERIES			
C-SIZE			172473			

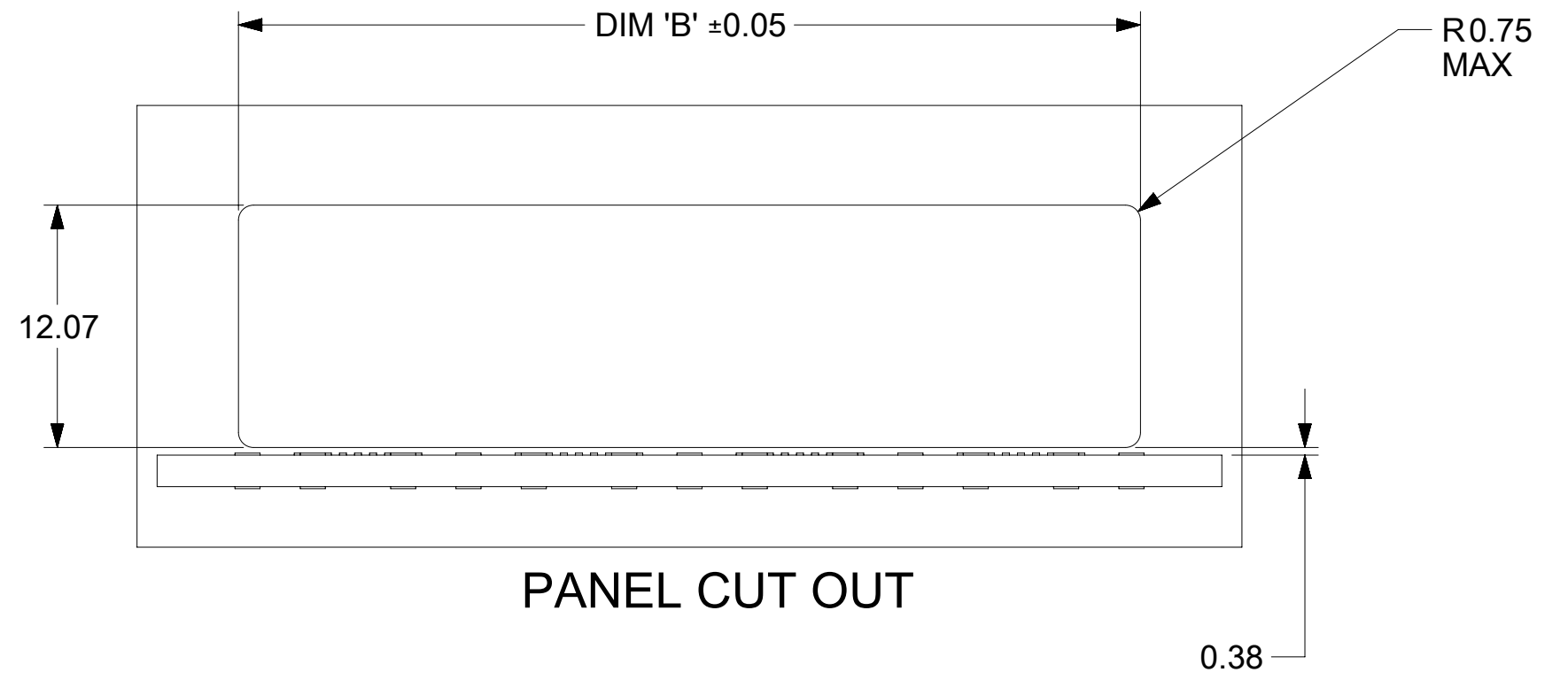
molex

IPASS RA SMT EXTERNAL SD

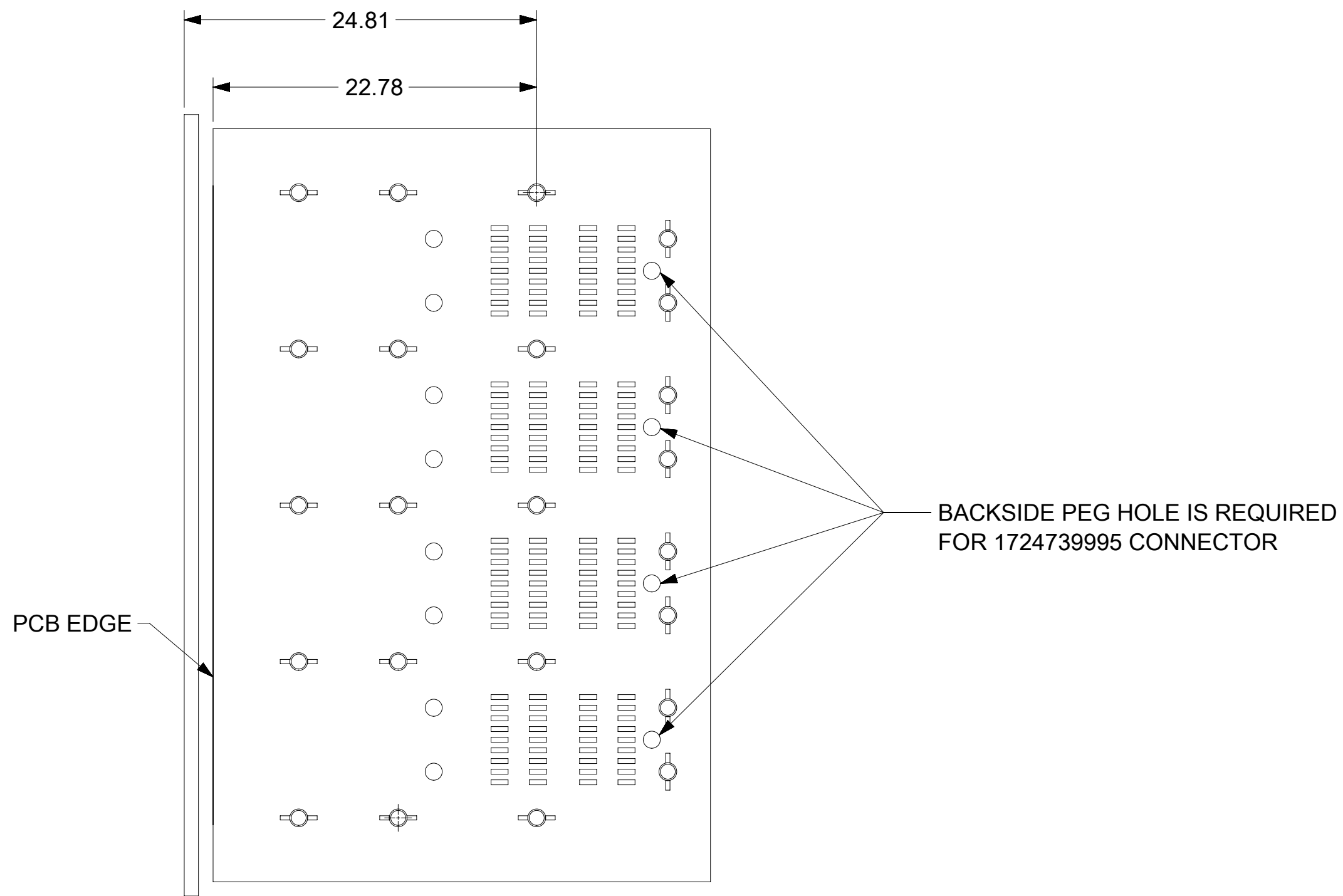
PRODUCT CUSTOMER DRAWING



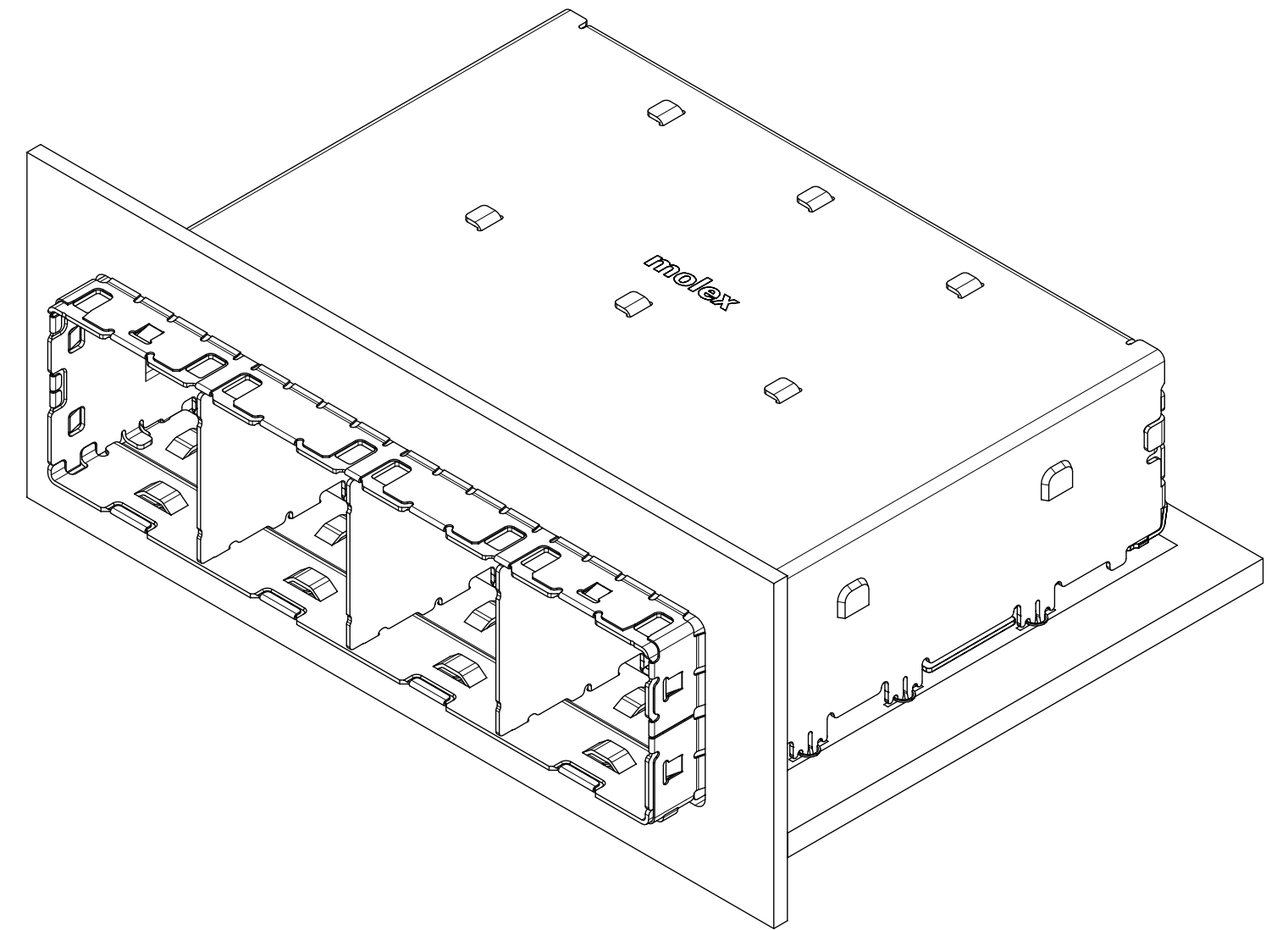
ASSEMBLED VIEW



PANEL CUT OUT



PCB TO PANEL VIEW



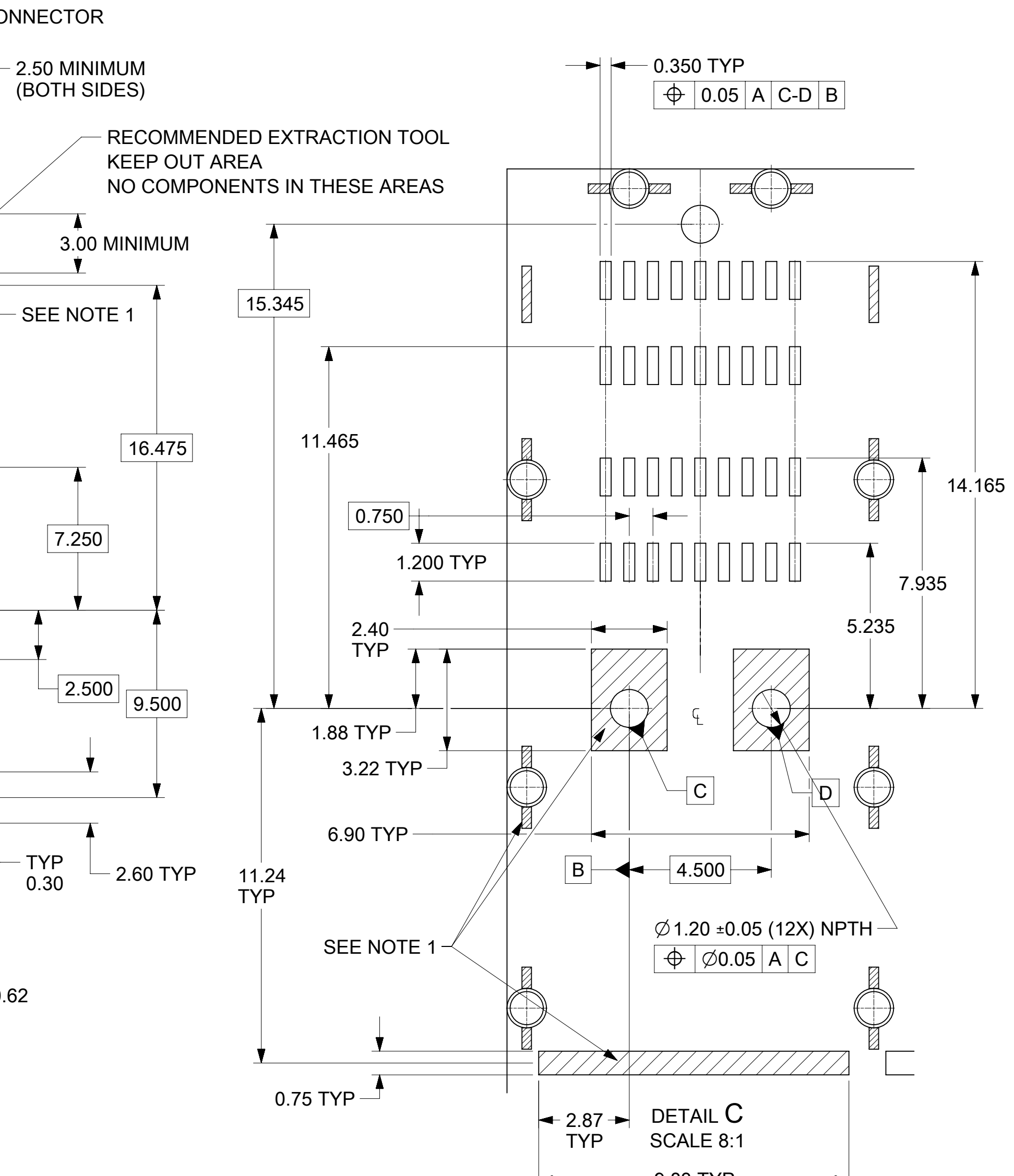
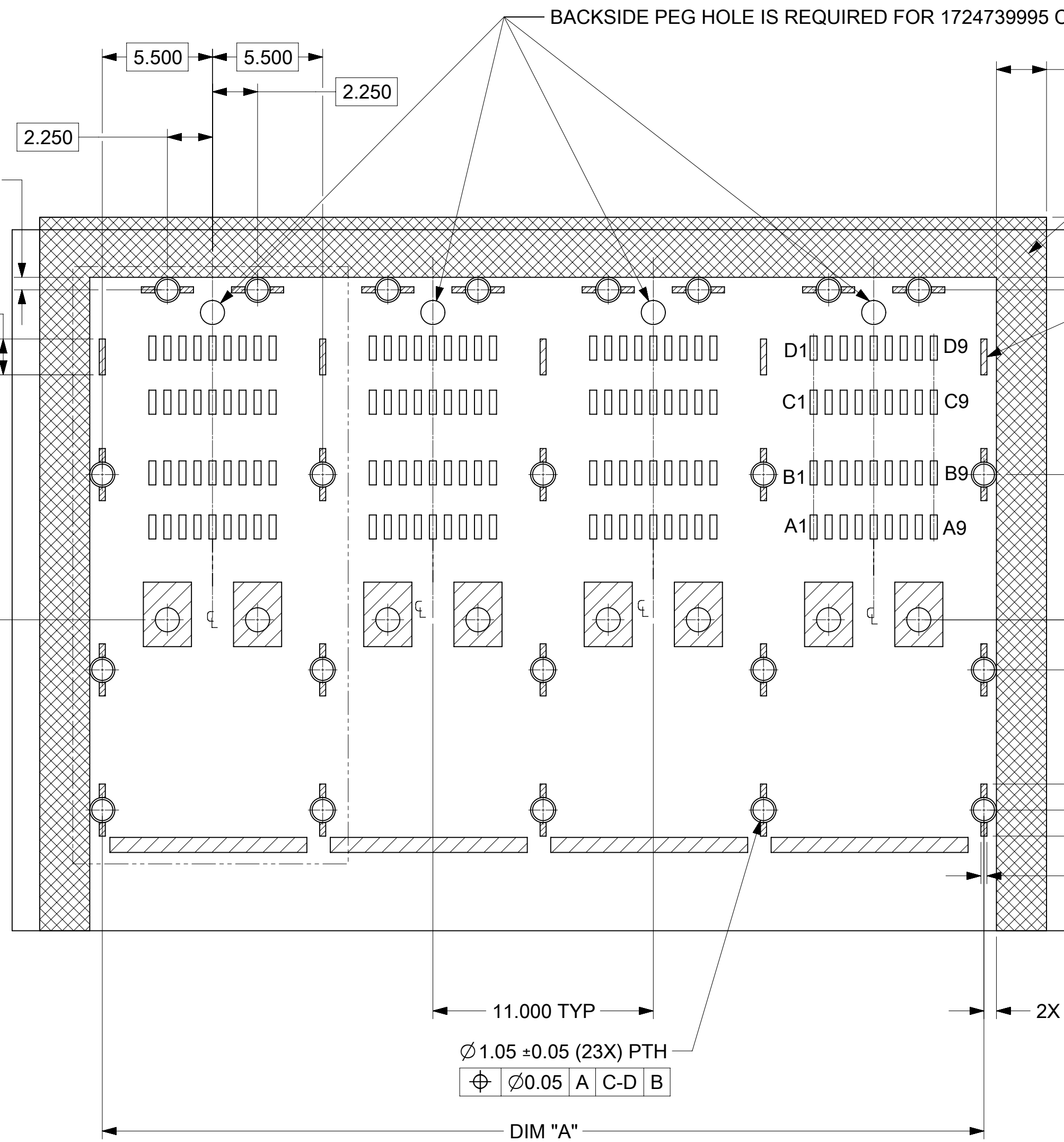
CONFIGURATION	DIM 'A' (MIN)	DIM 'B'
1 X 1	12.00.	11.90
1 X 2	23.00	22.90
1 X 4	45.00	44.90

FUNCTIONAL SYMBOLS $\nabla_A = 0$ $\nabla_C = 0$ $\nabla_P = 0$	THIS DRAWING CONTAINS INFORMATION THAT IS PROPRIETARY TO MOLEX ELECTRONIC TECHNOLOGIES, LLC AND SHOULD NOT BE USED WITHOUT WRITTEN PERMISSION		CURRENT REV DESC:	
	DIMENSION UNITS	SCALE		
	mm	3:1		
	GENERAL TOLERANCES (UNLESS SPECIFIED)			
DIVISIONAL SYMBOLS	ANGULAR TOL	±	°	
	4 PLACES	±		
	3 PLACES	±	0.1	
	2 PLACES	±	0.15	
1 PLACE	±	0.25		
0 PLACES	±			
DRAFT WHERE APPLICABLE MUST REMAIN WITHIN DIMENSIONS		THIRD ANGLE PROJECTION	DRAWING	SERIES
			C-SIZE	172473
EC NO: 733789		DRWN: SUGEEB	2023/01/03	
CHK'D: GGA		APPR: GGA	2023/01/19	
INITIAL REVISION:		DRWN: AKOLAK	2017/11/10	
APPR: TMCLELLAND			2018/06/27	
DOCUMENT NUMBER		DOC TYPE	DOC PART	REVISION
1724731111		PSD	001	B6
MATERIAL NUMBER		CUSTOMER	SHEET NUMBER	
SEE TABLE		GENERAL MARKET	3 OF 5	

molex

IPASS RA SMT EXTERNAL SD

PRODUCT CUSTOMER DRAWING



CONFIGURATION	DIM "A"
1 X 1	11.00 REF
1 X 2	22.00 REF
1 X 4	44.00 REF

SHOWN 1X4 RECOMMENDED FOOTPRINT

- NOTES:
- KEEP OUT ZONE: TRACES, VIAS AND COMPONENT ARE NOT ALLOWED ON SURFACE OF PCB IN THESE AREAS;
 - THE ENTIRE AREA UNDER THE CONNECTOR IS A COMPONENT KEEP OUT ZONE, THE DETAIL INFORMATION REFER TO SI ROUTING SPEC. 1724730100.

FUNCTIONAL SYMBOLS		THIS DRAWING CONTAINS INFORMATION THAT IS PROPRIETARY TO MOLEX ELECTRONIC TECHNOLOGIES, LLC AND SHOULD NOT BE USED WITHOUT WRITTEN PERMISSION		CURRENT REV DESC:	
$\frac{E}{A} = 0$	DIMENSION UNITS	SCALE			
$\frac{E}{C} = 0$	mm	5:1			
$\frac{E}{P} = 0$	GENERAL TOLERANCES (UNLESS SPECIFIED)				
	ANGULAR TOL ± °				
	4 PLACES	±			
	3 PLACES	± 0.1			
	2 PLACES	± 0.15			
	1 PLACE	± 0.25			
	0 PLACES	±			
DIVISIONAL SYMBOLS		DRAFT WHERE APPLICABLE MUST REMAIN WITHIN DIMENSIONS		THIRD ANGLE PROJECTION	
				DRAWING SERIES	
				C-SIZE 172473	
				MATERIAL NUMBER CUSTOMER SHEET NUMBER	
				SEE TABLE GENERAL MARKET 4 OF 5	
				EC NO: 733789	
				DRWN: SUGEEB 2023/01/03	
				CHK'D: GGA 2023/01/19	
				APPR: GGA 2023/01/19	
				INITIAL REVISION:	
				DRWN: AKOLAK 2017/11/10	
				APPR: TMCLELLAND 2018/06/27	
				DOCUMENT NUMBER DOC TYPE DOC PART REVISION	
				1724731111 PSD 001 B6	
				MOLEX	
				IPASS RA SMT EXTERNAL SD	
				PRODUCT CUSTOMER DRAWING	

DATE	VERSION	DESCRIPTION
2021/11/16	B3	1. UPDATE THE DEFINITION OF DATUM A AND DATUM B ON PCB; 2. ADDED NEW 3 PEG 1724739995 CONNECTOR INFORMATION
2022/04/12	B5	1. UPDATE TOP SURFANCE KEEP OUT AREA; 2.CANCEL REPEAT SHOWN PAGE.
2023/01/03	B6	1. REMOVED OBSOLETED PART 1724736001 2 PEG CONNECTOR.

FUNCTIONAL SYMBOLS										THIS DRAWING CONTAINS INFORMATION THAT IS PROPRIETARY TO MOLEX ELECTRONIC TECHNOLOGIES, LLC AND SHOULD NOT BE USED WITHOUT WRITTEN PERMISSION															
DIMENSION UNITS		SCALE		CURRENT REV DESC:																					
mm		1:1		EC NO: 733789 DRWN: SUGEEB 2023/01/03 CHK'D: GGA 2023/01/19 APPR: GGA 2023/01/19 INITIAL REVISION: DRWN: AKOLAK 2017/11/10 APPR: TMCLELLAND 2018/06/27																					
GENERAL TOLERANCES (UNLESS SPECIFIED)																									
ANGULAR TOL ± °																									
4 PLACES ±																									
DIVISIONAL SYMBOLS										PRODUCT CUSTOMER DRAWING															
3 PLACES ± 0.1		2 PLACES ± 0.15		1 PLACE ± 0.25		0 PLACES ±		DOCUMENT NUMBER				DOC TYPE		DOC PART		REVISION									
DRAFT WHERE APPLICABLE MUST REMAIN WITHIN DIMENSIONS		THIRD ANGLE PROJECTION		DRAWING		SERIES		MATERIAL NUMBER				CUSTOMER				SHEET NUMBER									
				C-SIZE		172473		SEE TABLE				GENERAL MARKET				5 OF 5									



IPASS RA SMT EXTERNAL SD

PRODUCT CUSTOMER DRAWING

1724731111 PSD 001 B6