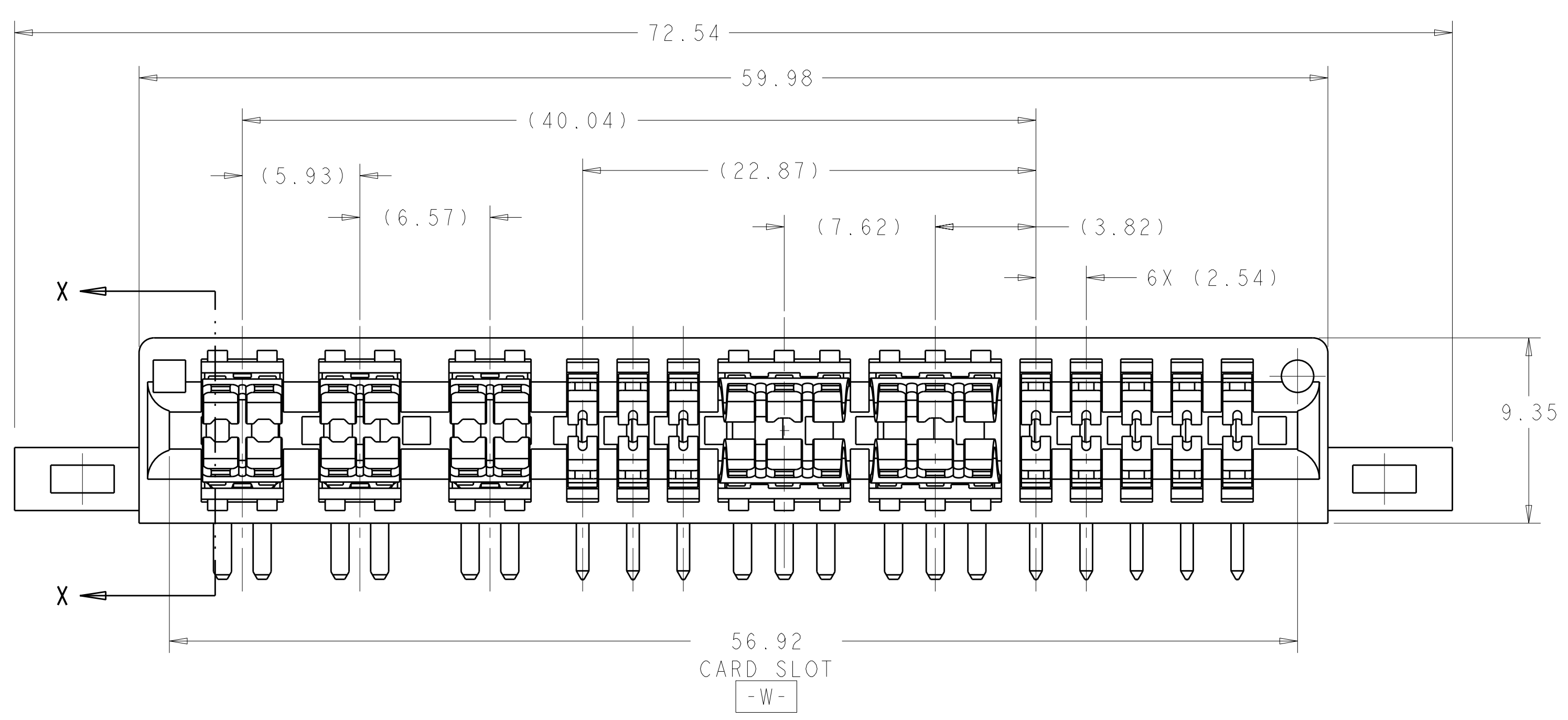
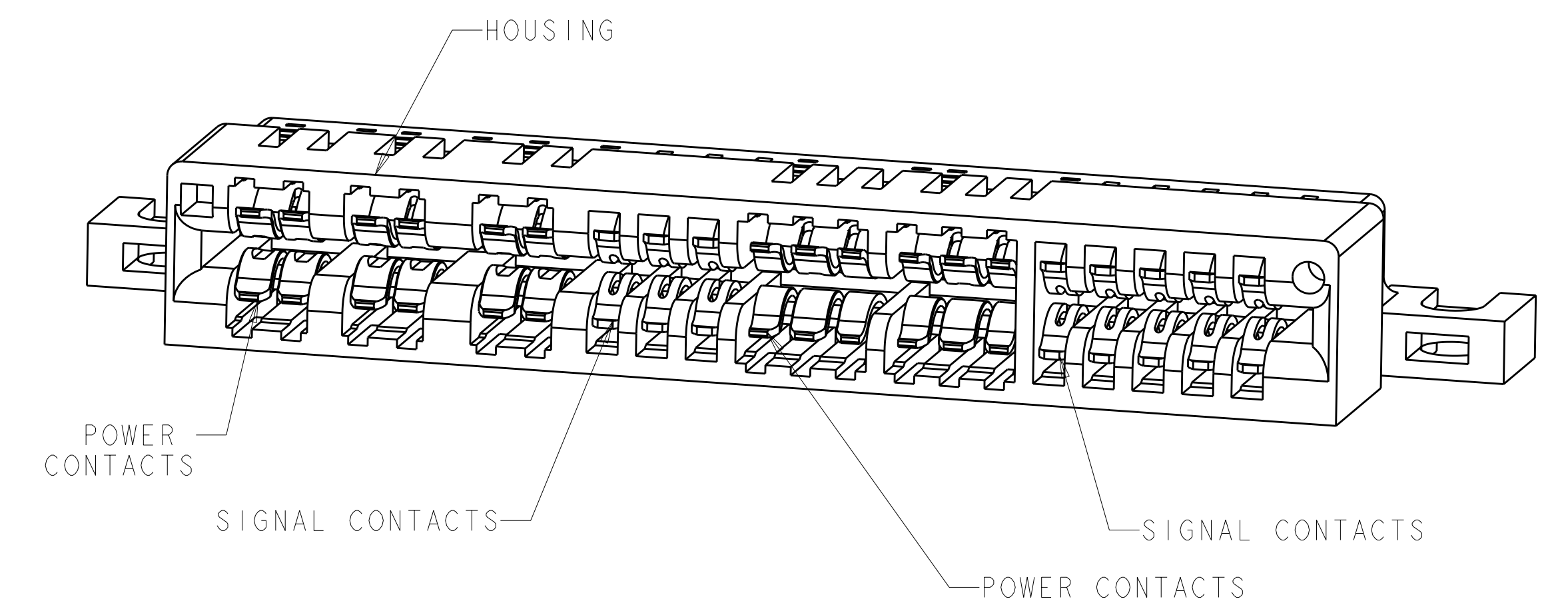
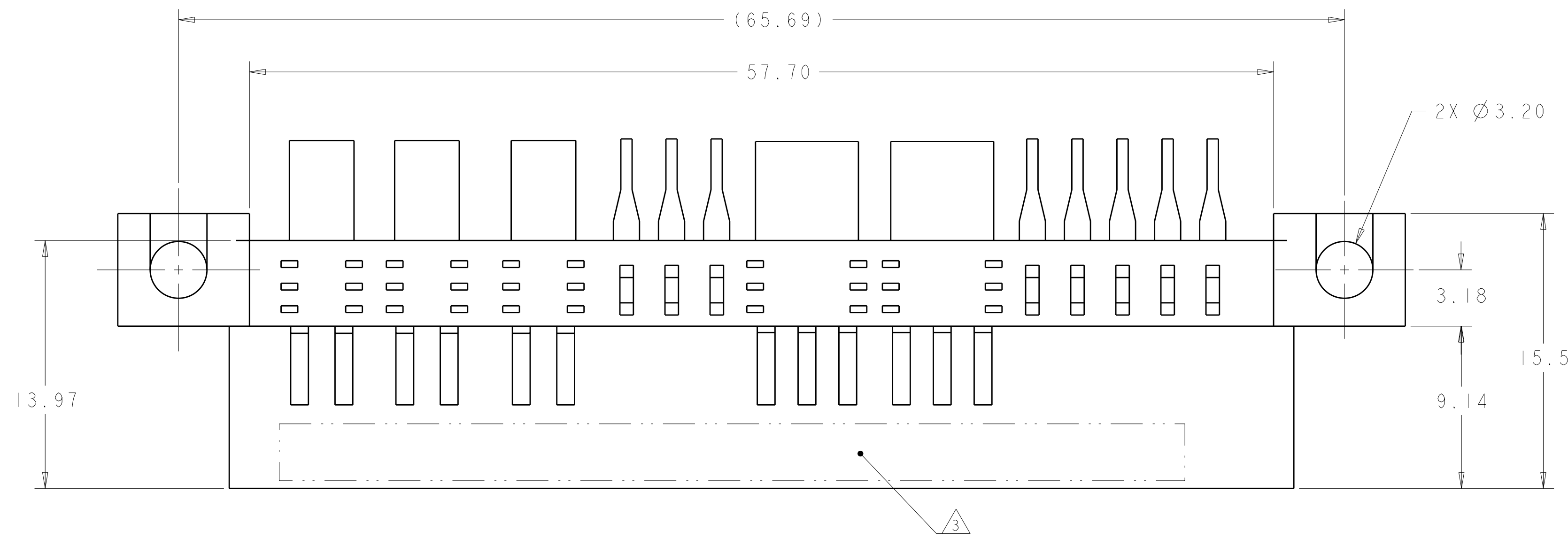
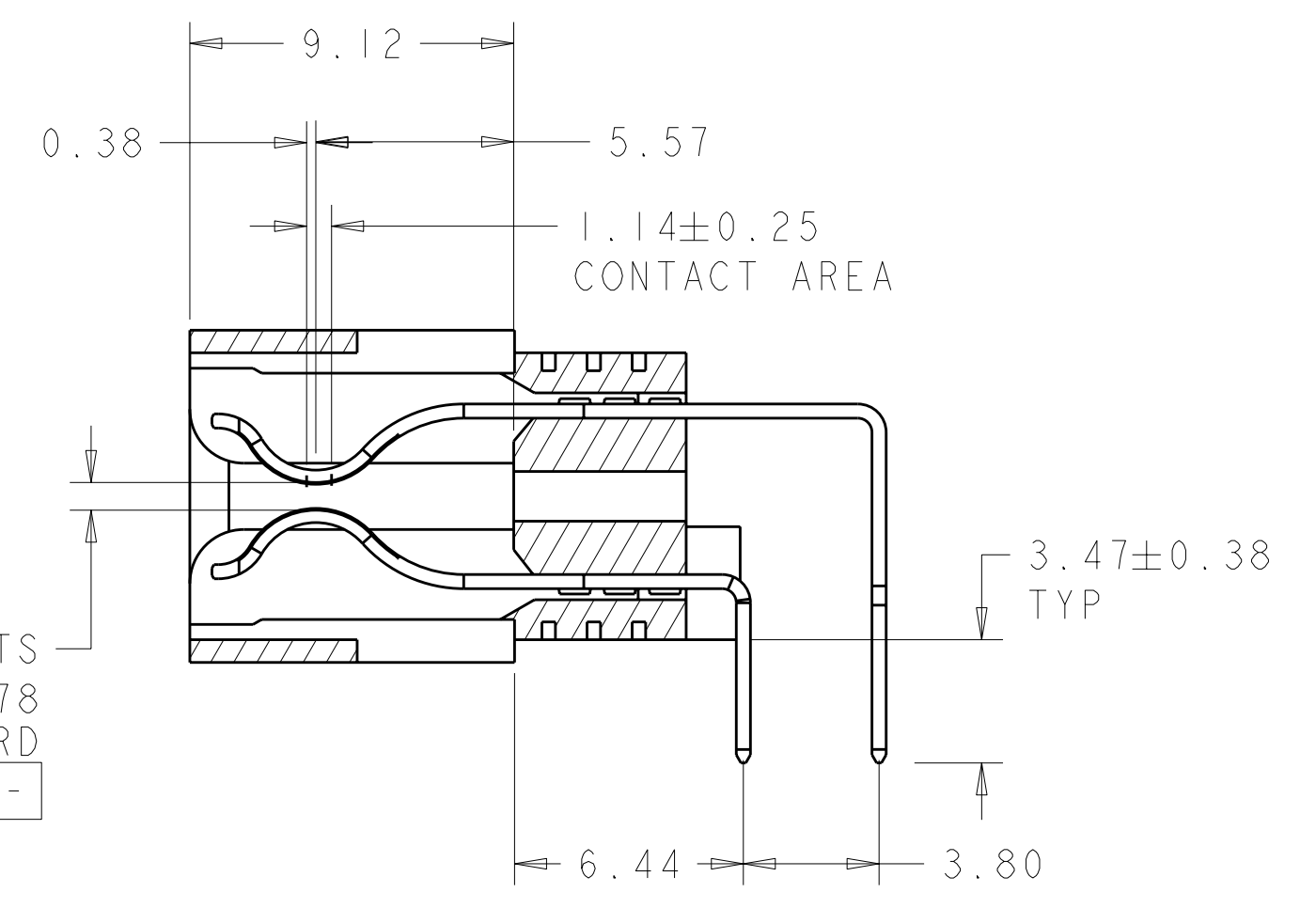


LOC	DIST	REVISIONS			
GP	00	REV	DATE	DWN	APVD
		A	RELEASED PER ECO-09-024889	09DEC2009	RG EH

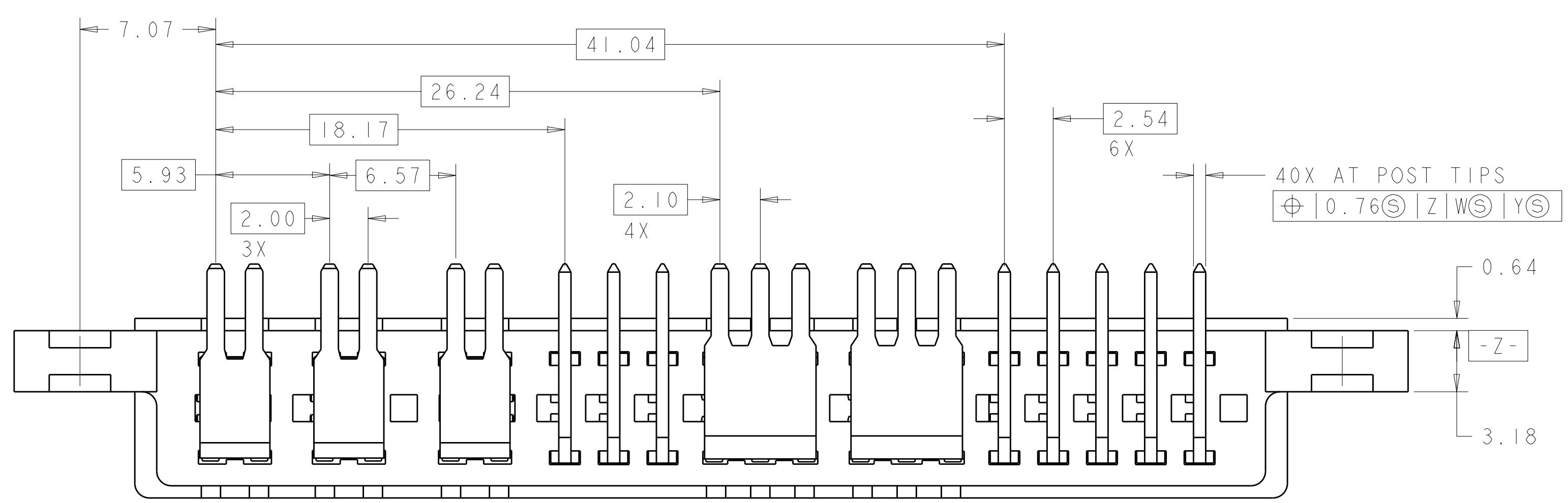


CARD SLOT ACCEPTS
 1.37-1.78
 PRINTED CIRCUIT BOARD
 -Y-



SECTION X-X

- 1 MATERIAL: INSULATORS - THERMOPLASTIC, GLASS REINFORCED, COLOR: BLACK, UL94V-0 FLAMMABILITY RATED.
CONTACTS - HIGH CONDUCTIVITY COPPER ALLOY
- 2 FINISH: CONTACTS - GOLD PLATE 0.76µm MIN. THK., OVER NICKEL 1.27µm MIN. THK.
SOLDER TAILS, MATTE TIN 2.54µm MIN. THK. OVER NICKEL 1.27µm MIN THK.
- 3 MARK P/N AND DATE CODE IN APPROX. AREA SHOWN
- 4 NO BURRS AND/OR SHARP EDGES ARE PERMISSIBLE
- 5 DATUMS AND BASIC DIMENSIONS ESTABLISHED BY CUSTOMER.

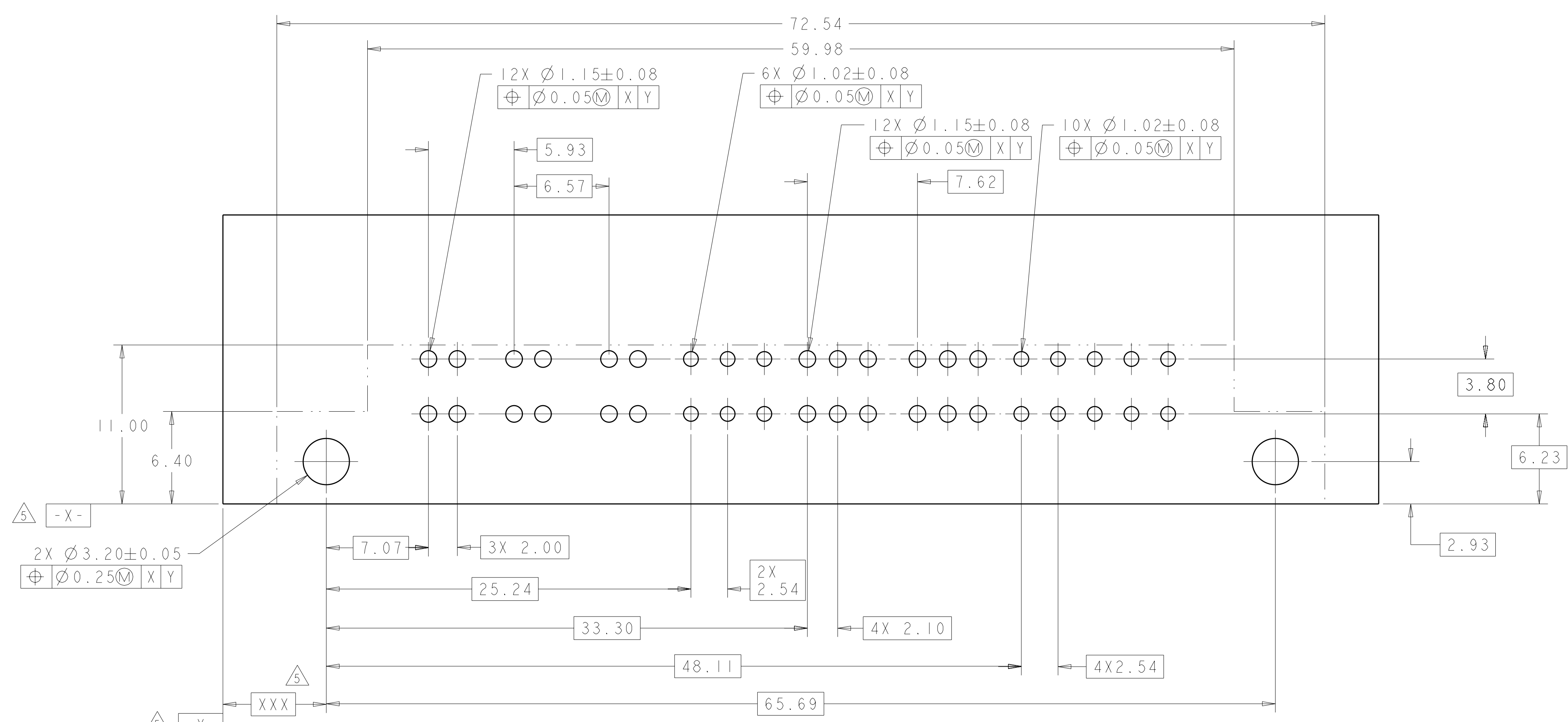


BACK VIEW

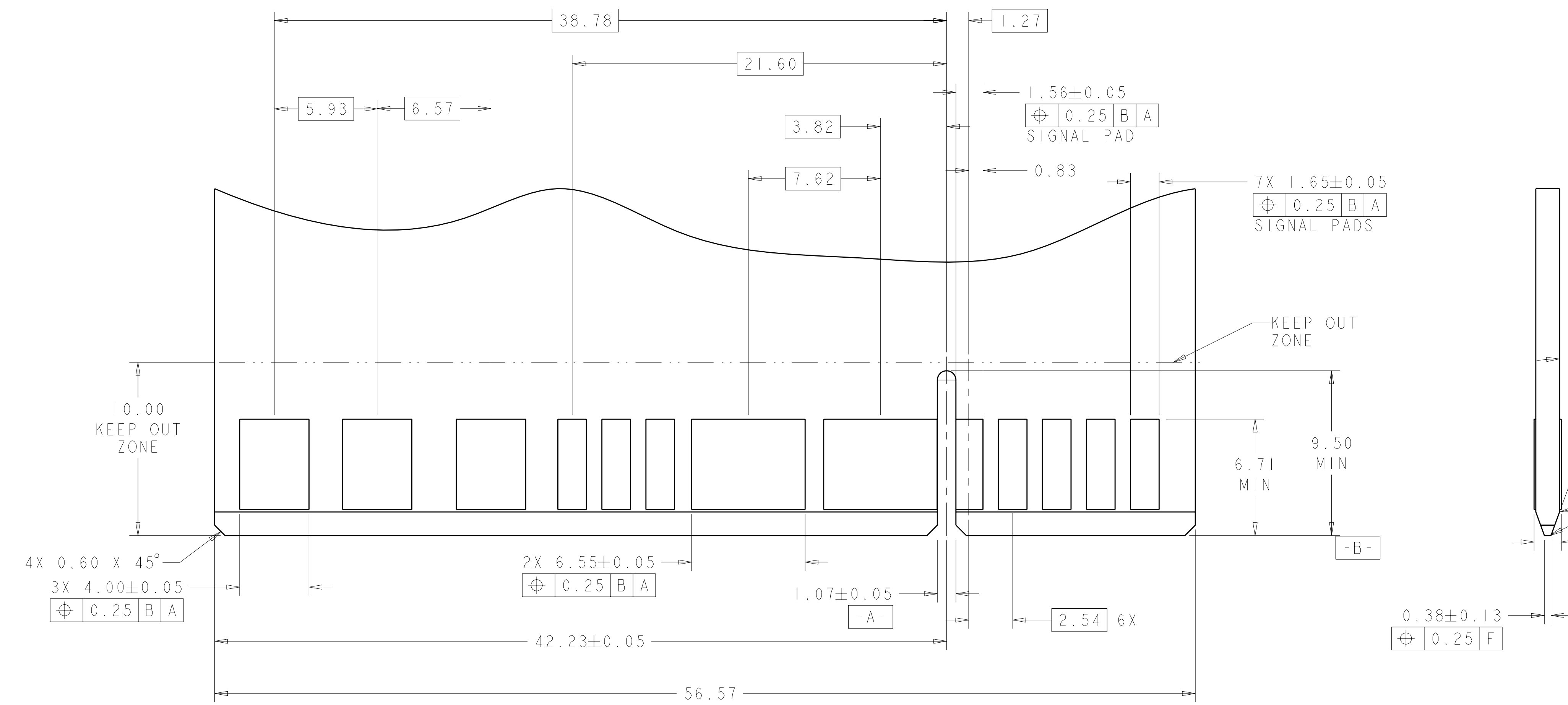
6P X 6S X 4P X 10S	2007445-1
DESCRIPTION	PART NUMBER

<small>THIS DRAWING IS UNPUBLISHED. RELEASED FOR PUBLICATION BY TYCO ELECTRONICS CORPORATION. ALL RIGHTS RESERVED.</small>		DWN: TBD CHK: A. FRANTUM APVD: S. FLICKINGER	16MAY08 16MAY08 16MAY08	Tyco Electronics Harrisburg, PA 17105-3608
DIMENSIONS: mm TOLERANCES UNLESS OTHERWISE SPECIFIED: 9 PLC ±.1 3 PLC ±.25 5 PLC ±.1 4 PLC ±.1 ANGLES ±.3		NAME: S. FLICKINGER PRODUCT SPEC: 108-2022 APPLICATION SPEC: 114-13018		CONNECTOR ASSY, STANDARD EDGE 11 RIGHT ANGLE POWER
MATERIAL:		FINISH:		SIZE: A 00779 C=2007445 SCALE: 5:1 SHEET 1 OF 2 REV A

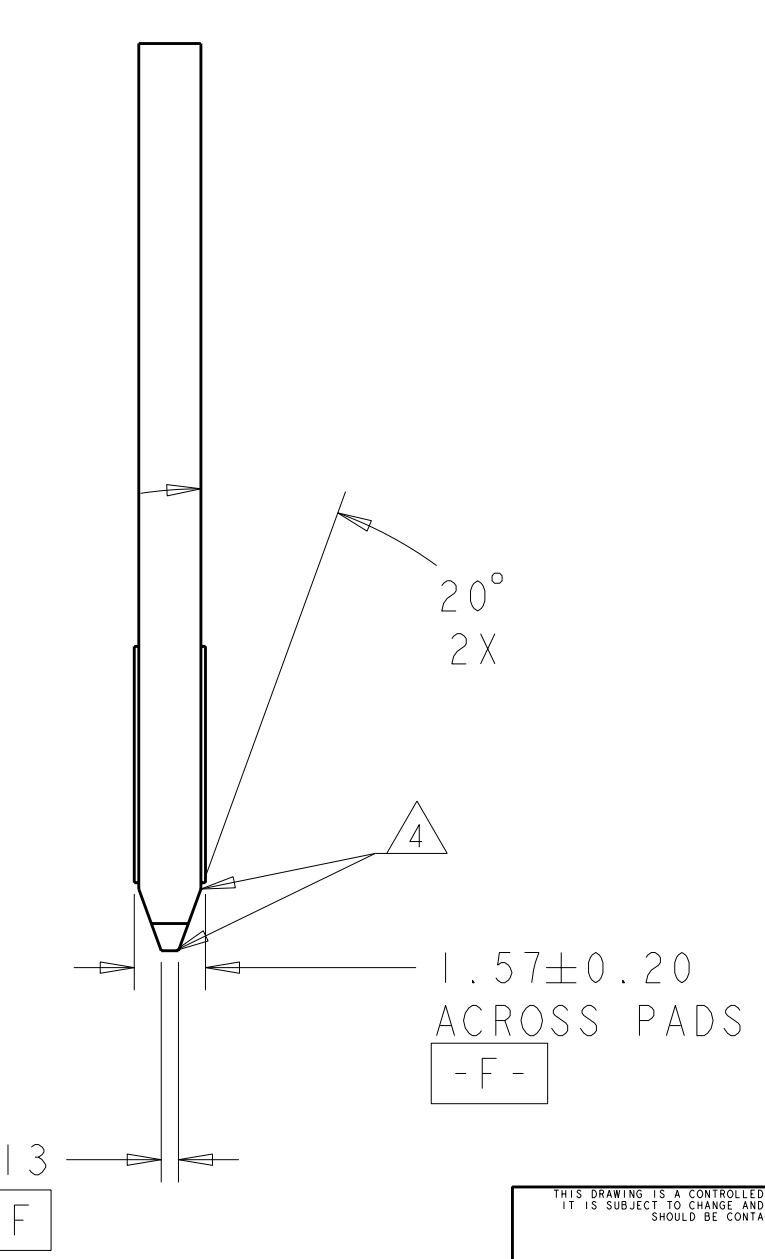
LOC	DIST	REVISIONS					
GP	00	P	LTR	DESCRIPTION	DATE	DWN	APVD
		-	-	SEE SHEET 1	-	-	-



RECOMMENDED PRINTED CIRCUIT BOARD LAYOUT
 COMPONENT SIDE



RECOMMENDED MATING BOARD EDGE CONFIGURATION
 TYP. BOTH SIDES



<small>THIS DRAWING IS UNPUBLISHED. RELEASED FOR PUBLICATION. ALL RIGHTS RESERVED. THIS IS SUBJECT TO CHANGE WITHOUT NOTICE. THE USER SHALL BE RESPONSIBLE FOR VERIFYING THE DIMENSIONS AND TOLERANCES OF THE PARTS AND ASSEMBLIES. CONTACT THE SUPPLIER FOR THE LATEST REVISION.</small>		DWN: TBD CHK: A. FRANTUM APVD: S. SLICKINGER	16MAY08 16MAY08 16MAY08	Tyco Electronics Harrisburg, PA 17105-3608
DIMENSIONS: mm 	TOLERANCES UNLESS OTHERWISE SPECIFIED: 9 PLC ± 1 PLC ±.25 2 PLC ± 3 PLC ± 4 PLC ± ANGLES ±.3	PRODUCT SPEC: 108-2022 APPLICATION SPEC: 114-13018	NAME: CONNECTOR ASSY, STANDARD EDGE 11 RIGHT ANGLE POWER SIZE: CAGE CODE DRAWING NO: A100779C=2007445 RESTRICTED TO:	SCALE: 5:1 SHEET: 2 OF 2 REV: A
MATERIAL: - FINISH: -		WEIGHT: - CUSTOMER DRAWING:		