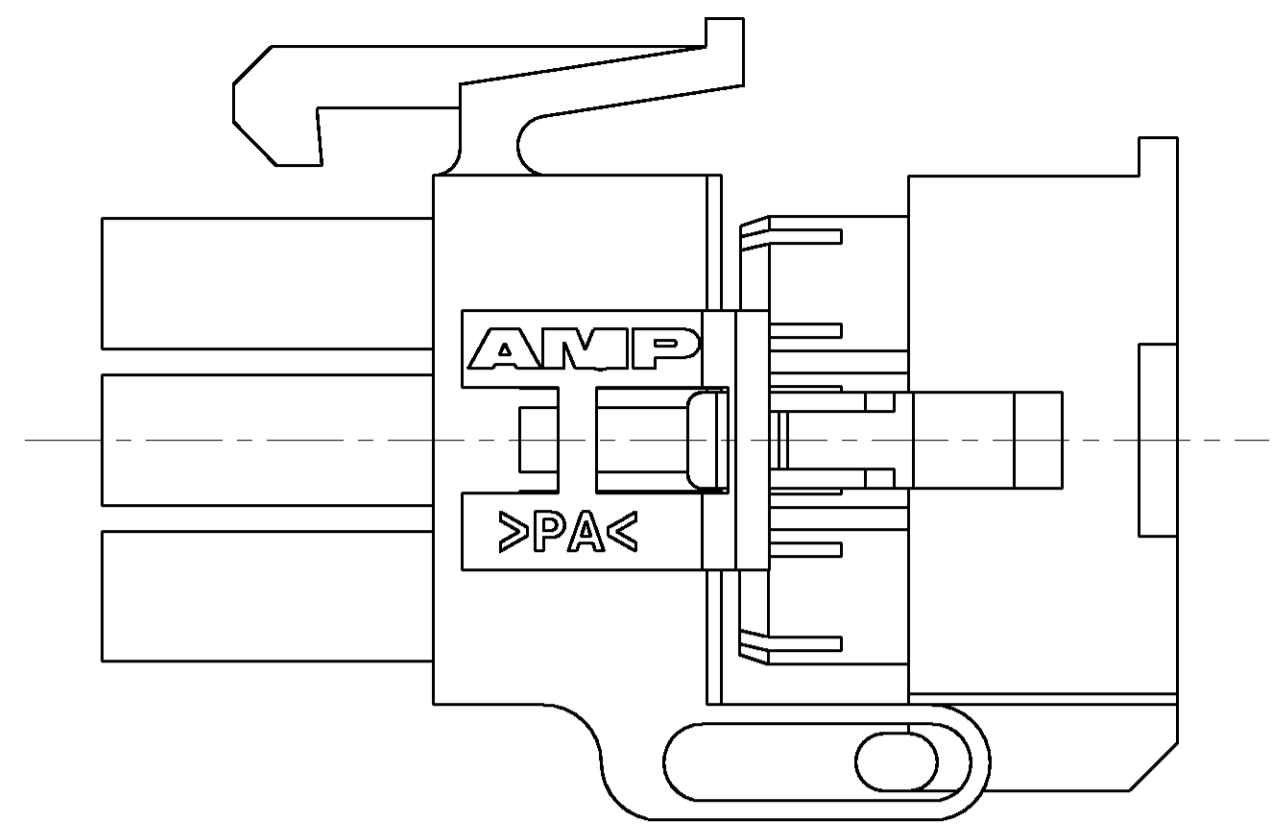
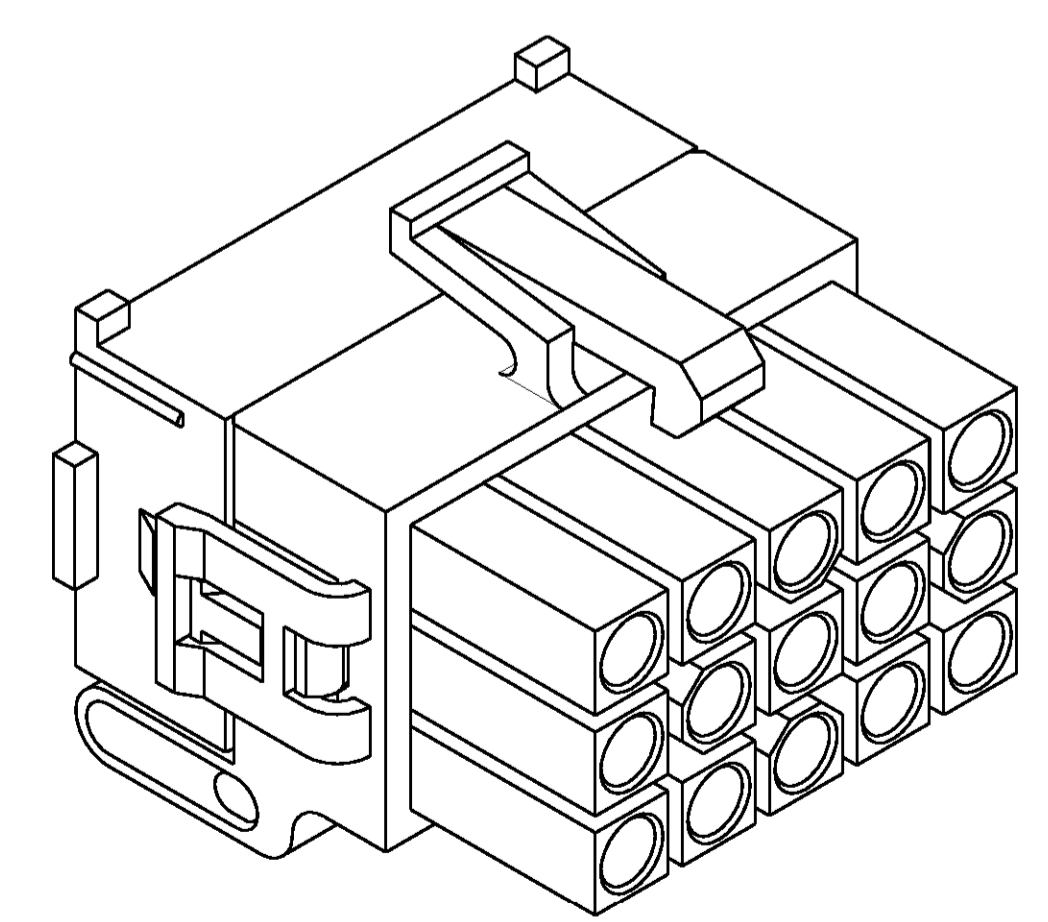
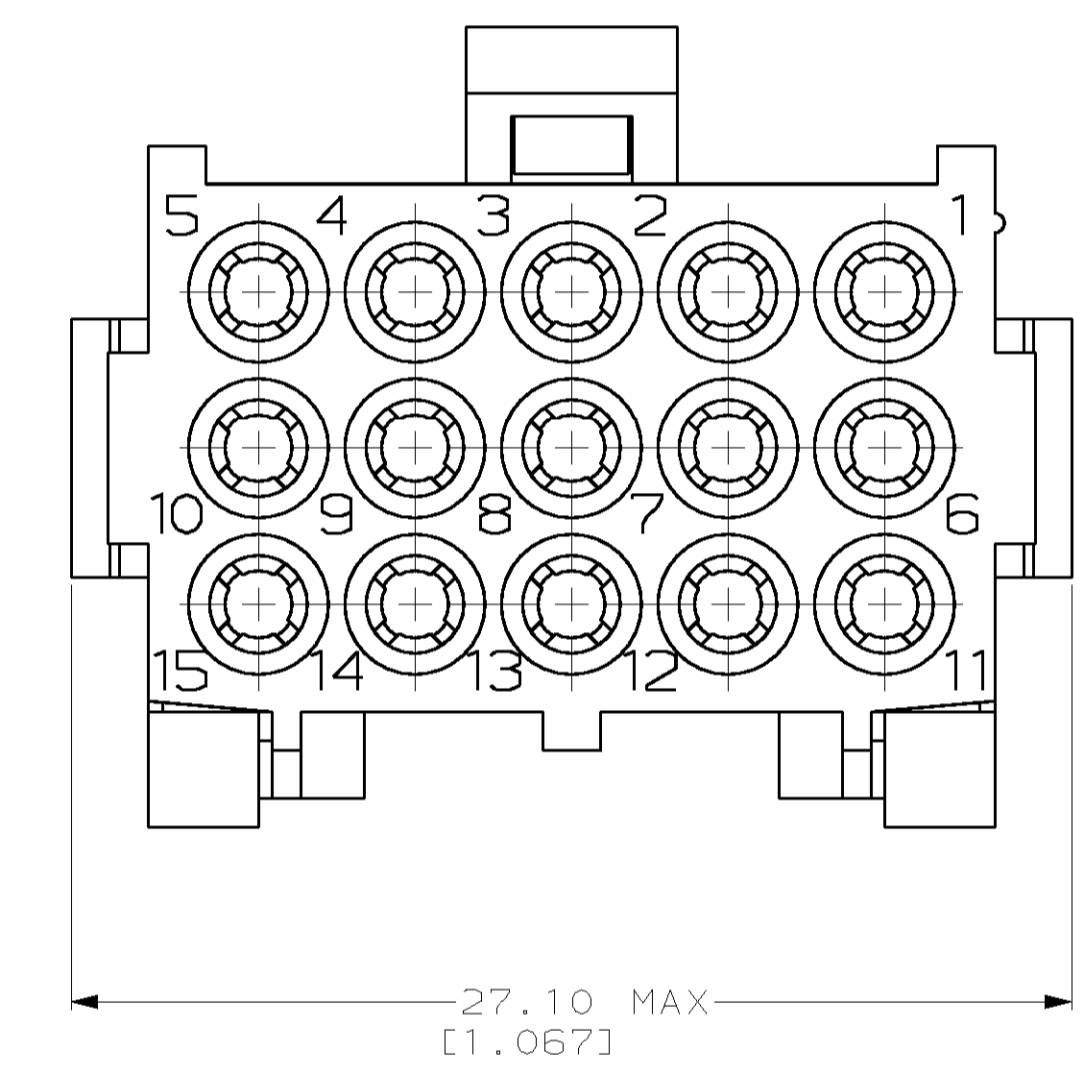
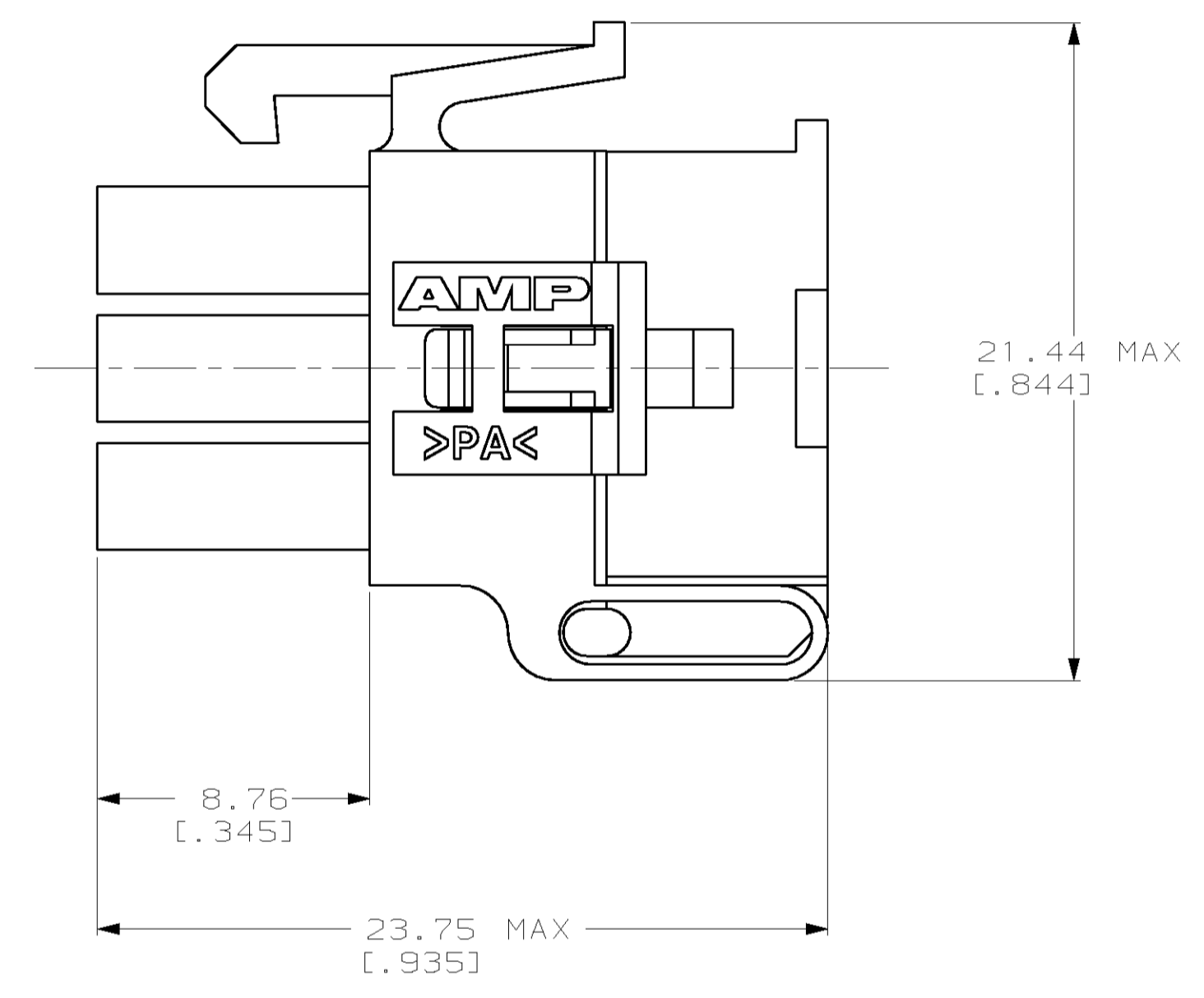
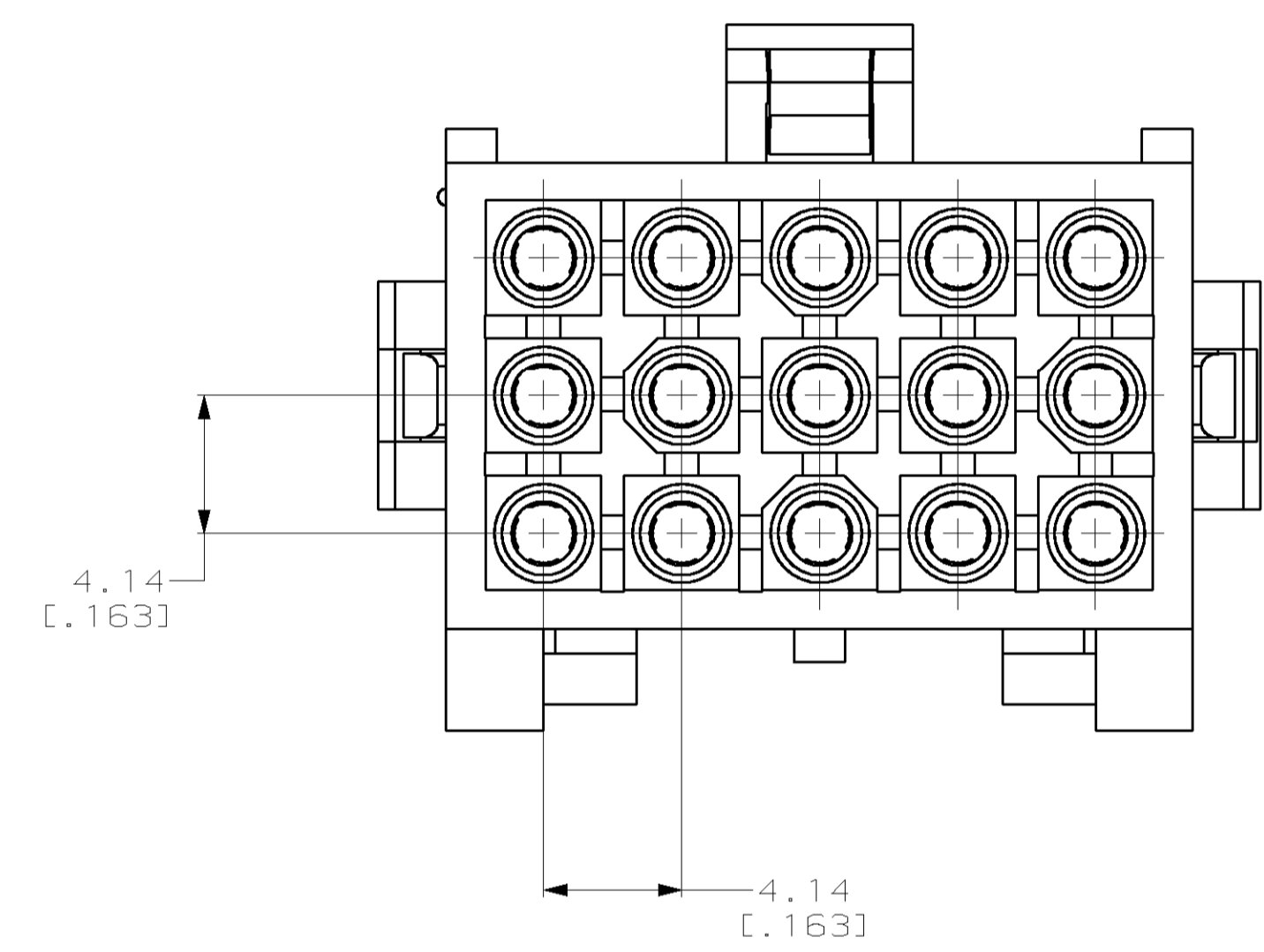


LOC		DIST		REVISIONS			
F	CHR	DATE	BY	CHK	APVD		
B		23-SEP-99	REV PER EC	061B-0094-99	KW	KC	



PRE-STAGED CONDITION

1. DIMENSIONS IN BRACKETS ARE IN INCHES.



3-DIMENSIONAL MODEL
NTS

794257-1
PART NUMBER

METRIC

THIS DRAWING IS A CONTROLLED DOCUMENT.		DWN K. WHITAKER 5-16-97	AMP AMP Incorporated Harrisburg, PA 17105-3608
DIMENSIONS:		CHK R. SWING 5-16-97	
mm	TOLERANCES UNLESS OTHERWISE SPECIFIED:	APVD S. ORSTAD 5-16-97	NAME PLUG, 15 CIRCUIT, MINI UNIVERSAL MATE-N-LOK™ 2
0 PLC ±	1 PLC ±	PRODUCT SPEC	SIZE CAGE CODE DRAWING NO
2 PLC ±0.13 [0.005]	3 PLC ±	APPLICATION SPEC	A1 00779 C-794257
4 PLC ±	ANGLES 90°±30°	RESTRICTED TO	
MATERIAL NYLON, UL 94V-2, NATURAL	FINISH -	WEIGHT -	CUSTOMER DRAWING
		SCALE 5:1	SHEET 1 OF 1