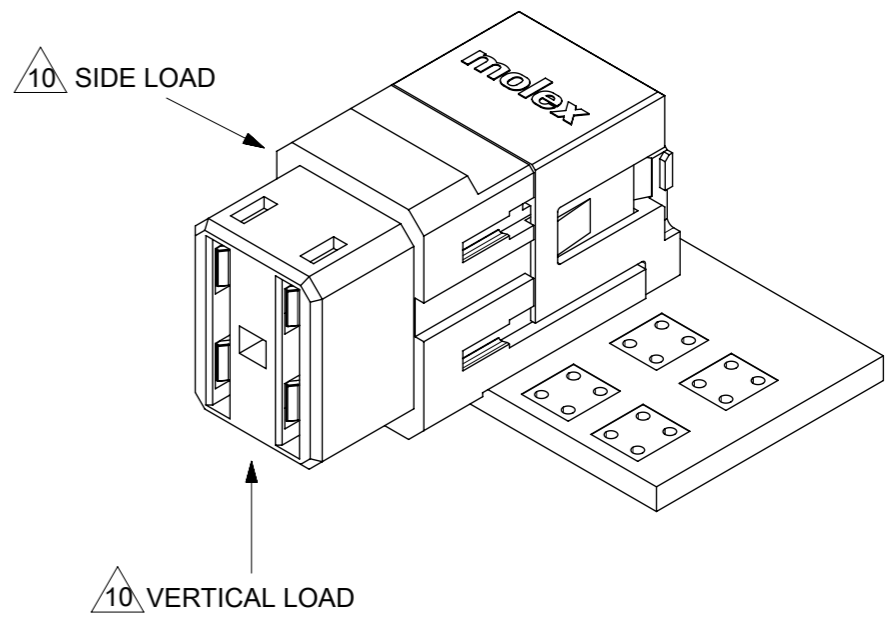
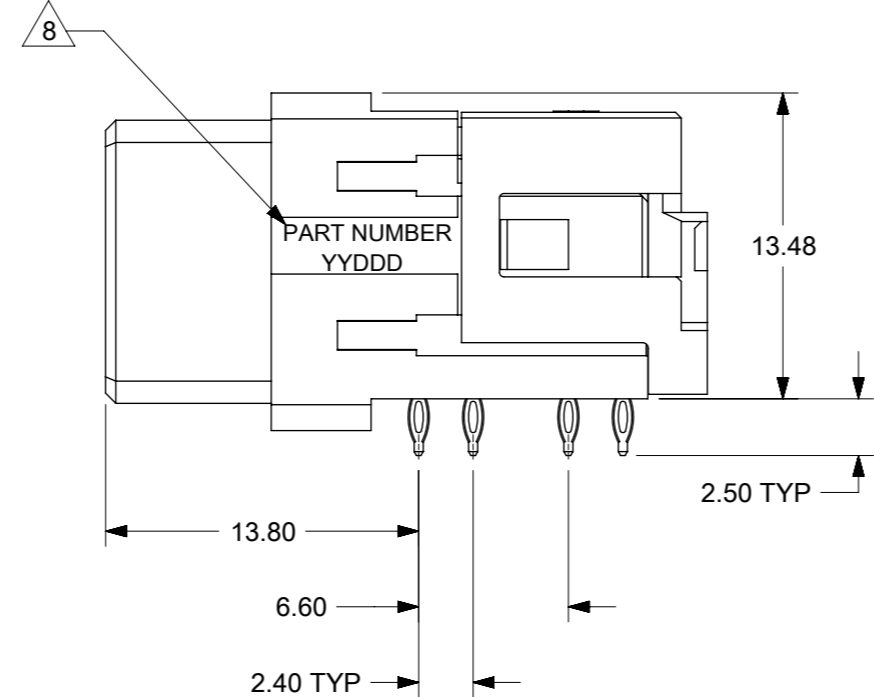
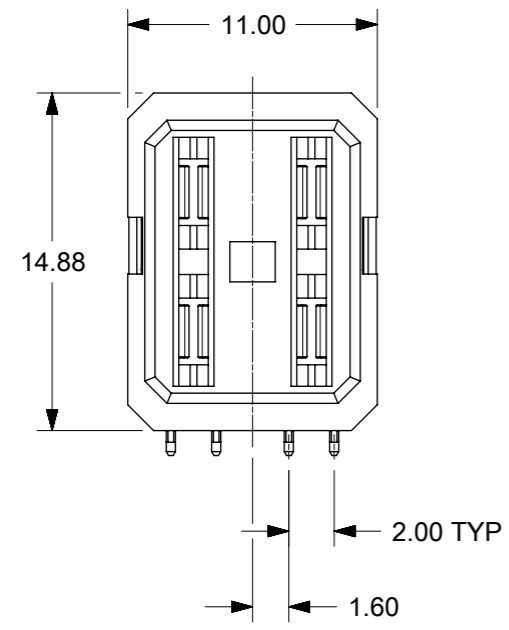
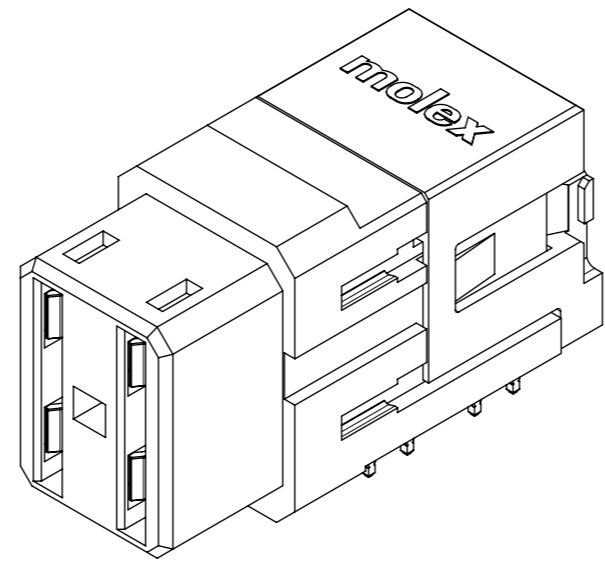
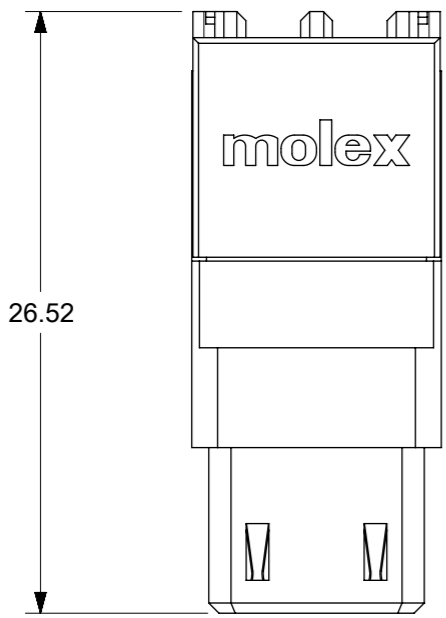
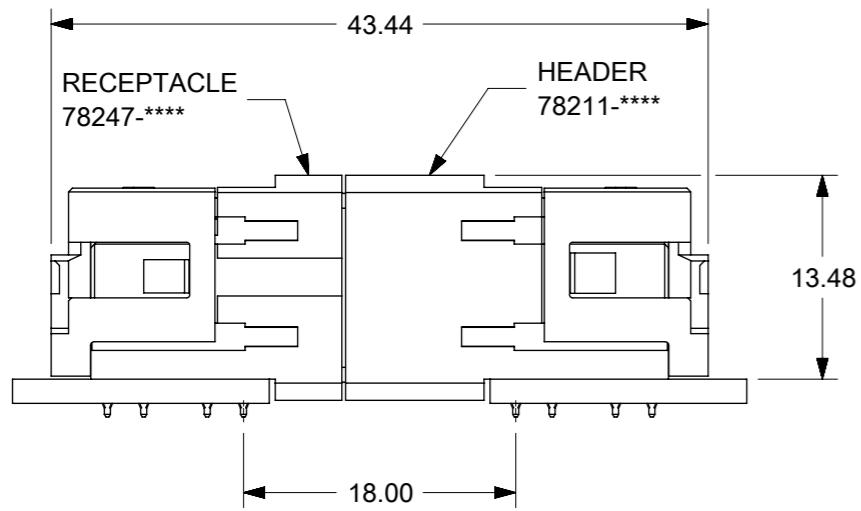


| | | |
|-------------|-----------------|-----------|
| PART NUMBER | PLATING OPTIONS | PACKAGING |
| 78247-1001 | TIN PLATING | TRAY |

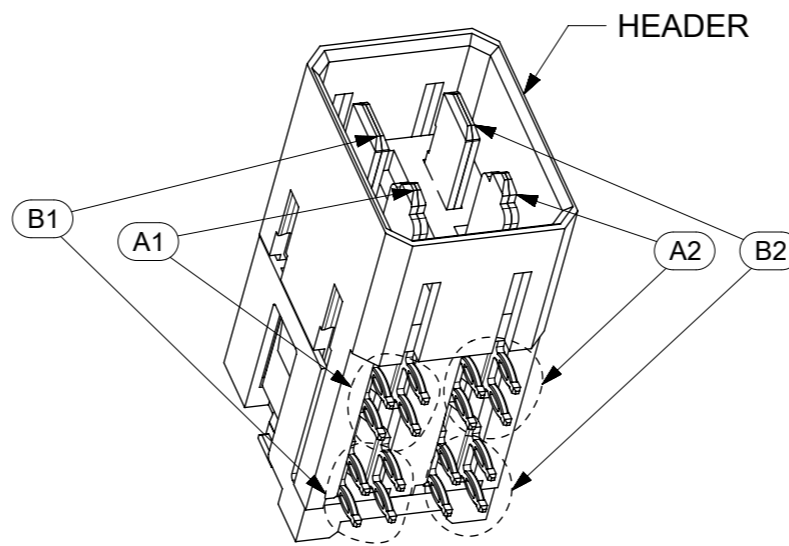


- NOTES:
- MATERIAL:
HOUSING - LCP, GLASS FILLED, UL94-V0, COLOR: BLACK
POWER PIN - COPPER ALLOY
 - FINISHES:
TIN - 0.76µm MINIMUM GOLD AT CONTACT AND
2.54µm MINIMUM TIN AT SOLDER TAIL AREA OVER
1.27µm MINIMUM NICKEL UNDERPLATE OVERALL.
 - PRODUCT SPECIFICATION: PS-78213-001.
 - PACKAGING SPECIFICATION: PK-78247-001.
 - MATES WITH 78211-**** & 78399-****.
 - REFER TO SHEET 3 FOR RECOMMENDED PCB LAYOUT.
 - REFER TO MOLEX PRODUCT SPECIFICATION PS-78213-001 FOR PLATED THROUGH-HOLE SPECIFICATIONS.
 - PART NUMBER AND DATE CODE (YYDDD) APPROXIMATELY SHOWN.
 - KEEP OUT ZONE FROM OTHER COMPONENTS.
 - CONNECTOR-TO-PCB RETENTION FORCE SHALL WITHSTAND VERTICAL AND SIDE LOAD OF 1.5KGF AND 3.0KGF MAXIMUM RESPECTIVELY. FOR APPLICATION THAT REQUIRES MORE CONNECTOR-TO-PCB RETENTION FORCE, PLEASE CONTACT MOLEX SALES TECHNICAL PERSONNEL FOR RECOMMENDATION.

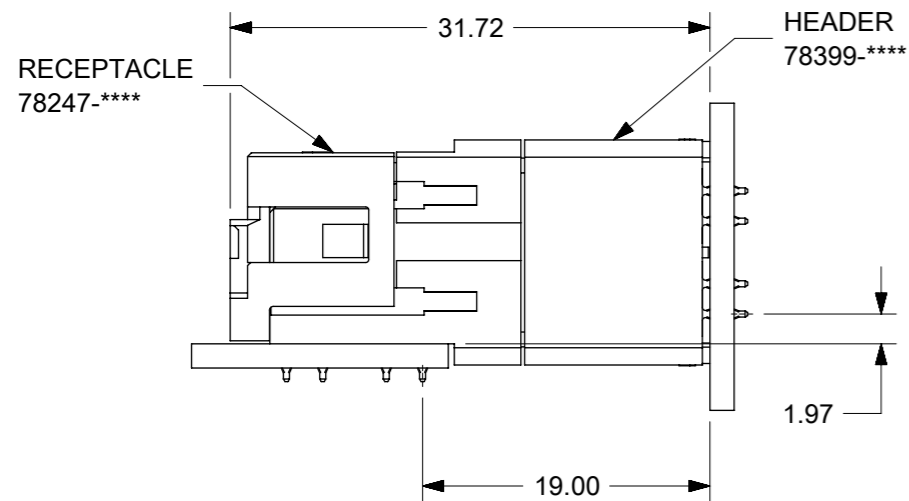
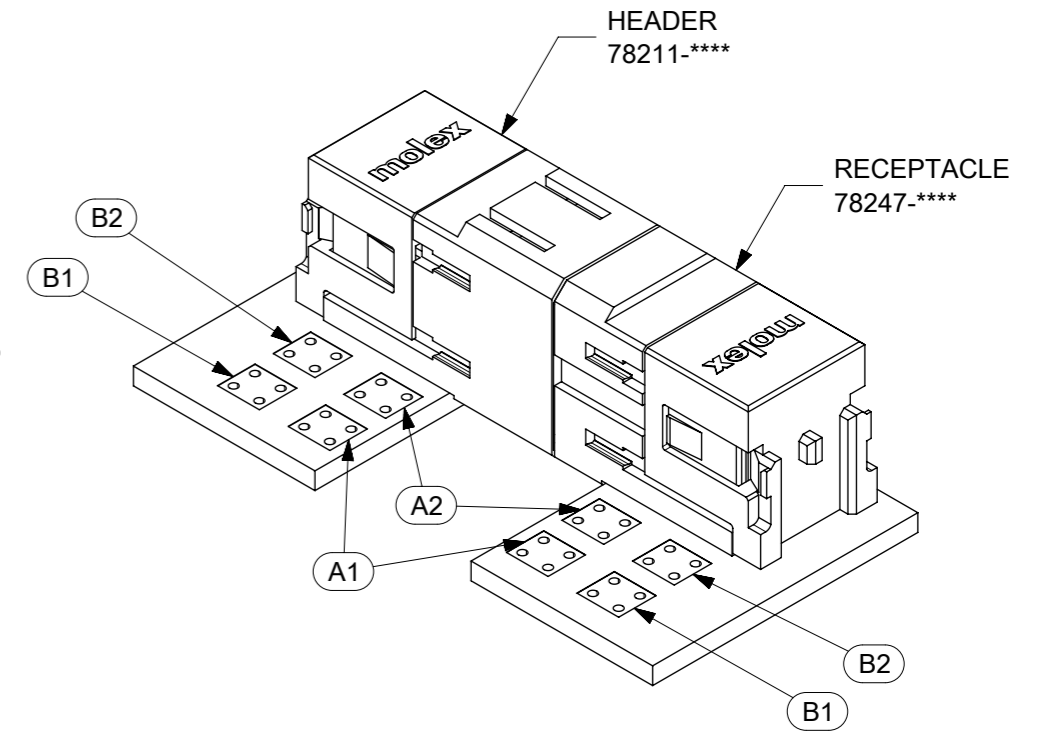
| | | | | | |
|---|---------|----------------------------------|-------------------------|--|----------------|
| THIS DRAWING CONTAINS INFORMATION THAT IS PROPRIETARY TO MOLEX ELECTRONIC TECHNOLOGIES, LLC AND SHOULD NOT BE USED WITHOUT WRITTEN PERMISSION | | CURRENT REV DESC: MIGRATED TO NX | | molex | |
| DIMENSION UNITS | SCALE | | | | |
| mm | NTS | | | IMPACT POWER, 3 PAIR RIGHT ANGLE RECEPTACLE PRESS-FIT | |
| GENERAL TOLERANCES (UNLESS SPECIFIED) | | | | PRODUCT CUSTOMER DRAWING | |
| ANGULAR TOL | ± 3.0 ° | EC NO: | 611162 | DOCUMENT NUMBER | |
| 4 PLACES | ± | DRWN: | PMAHADEVAPPA 2019/01/17 | SD-78247-001 | DOC TYPE |
| 3 PLACES | ± | CHK'D: | ABN 2019/02/01 | PSD | DOC PART |
| 2 PLACES | ± 0.25 | APPR: | CWANG25 2019/02/27 | 001 | REVISION |
| 1 PLACE | ± | INITIAL REVISION: | | A5 | |
| 0 PLACES | ± | DRWN: | KJKOH 2008/11/10 | | |
| DRAFT WHERE APPLICABLE MUST REMAIN WITHIN DIMENSIONS | | APPR: | SHONG 2008/11/10 | | |
| THIRD ANGLE PROJECTION | | DRAWING | SERIES | MATERIAL NUMBER | CUSTOMER |
| | | A3-SIZE | 78247 | SEE TABLE | GENERAL MARKET |
| | | | | SHEET NUMBER | |
| | | | | 1 OF 3 | |



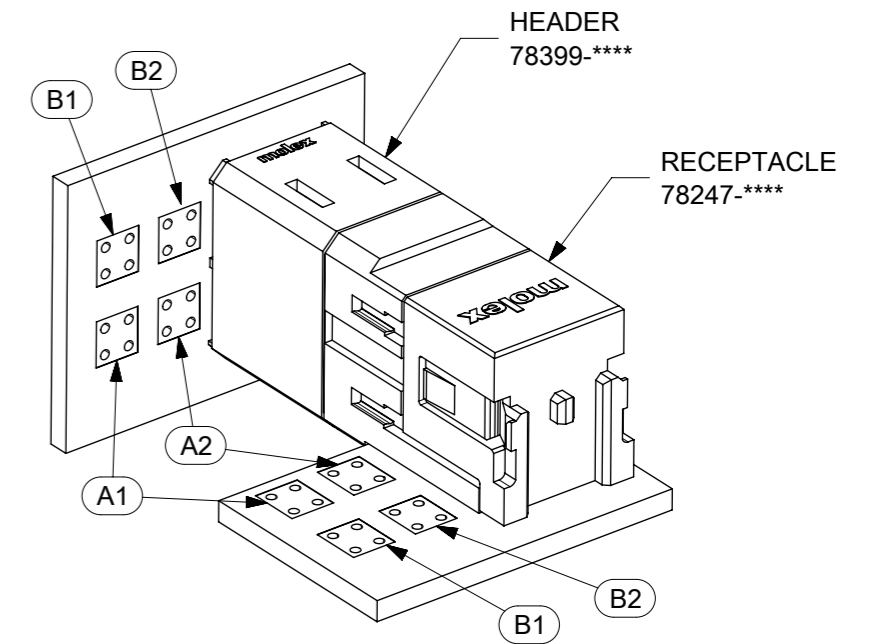
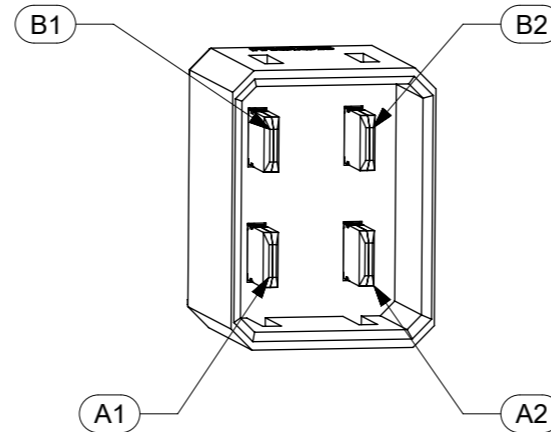
RIGHT ANGLE RECEPTACLE (78247) & RIGHT ANGLE HEADER (78211)



PIN NUMBER ASSIGNMENT BASED ON HEADER SIDE:
A1, B1 ON THE LEFT,
A2, B2 ON THE RIGHT.



RIGHT ANGLE RECEPTACLE (78247) & VERTICAL HEADER (78399)



CIRCUIT PATH OF MATED SYSTEM

5 MATED SYSTEM OPTIONS WITH 78247

| | | | | | |
|---|---------|----------------------------------|-------------------------|--|-----------------|
| THIS DRAWING CONTAINS INFORMATION THAT IS PROPRIETARY TO MOLEX ELECTRONIC TECHNOLOGIES, LLC AND SHOULD NOT BE USED WITHOUT WRITTEN PERMISSION | | CURRENT REV DESC: MIGRATED TO NX | | molex | |
| DIMENSION UNITS | SCALE | | | | |
| mm | NTS | | | IMPACT POWER, 3 PAIR RIGHT ANGLE RECEPTACLE PRESS-FIT | |
| GENERAL TOLERANCES (UNLESS SPECIFIED) | | | | PRODUCT CUSTOMER DRAWING | |
| ANGULAR TOL | ± 3.0 ° | EC NO: | 611162 | DOCUMENT NUMBER | |
| 4 PLACES | ± | DRWN: | PMAHADEVAPPA 2019/01/17 | SD-78247-001 | |
| 3 PLACES | ± | CHK'D: | ABN 2019/02/01 | DOC TYPE | DOC PART |
| 2 PLACES | ± 0.25 | APPR: | CWANG25 2019/02/27 | PSD | 001 |
| 1 PLACE | ± | INITIAL REVISION: | | REVISION | |
| 0 PLACES | ± | DRWN: | KJKOH 2008/11/10 | A5 | |
| DRAFT WHERE APPLICABLE MUST REMAIN WITHIN DIMENSIONS | | THIRD ANGLE PROJECTION | DRAWING | SERIES | MATERIAL NUMBER |
| | | | A3-SIZE | 78247 | CUSTOMER |
| | | | | SEE TABLE | GENERAL MARKET |
| | | | | SHEET NUMBER | |
| | | | | 2 OF 3 | |

9 8 7 6 5 4 3 2 1

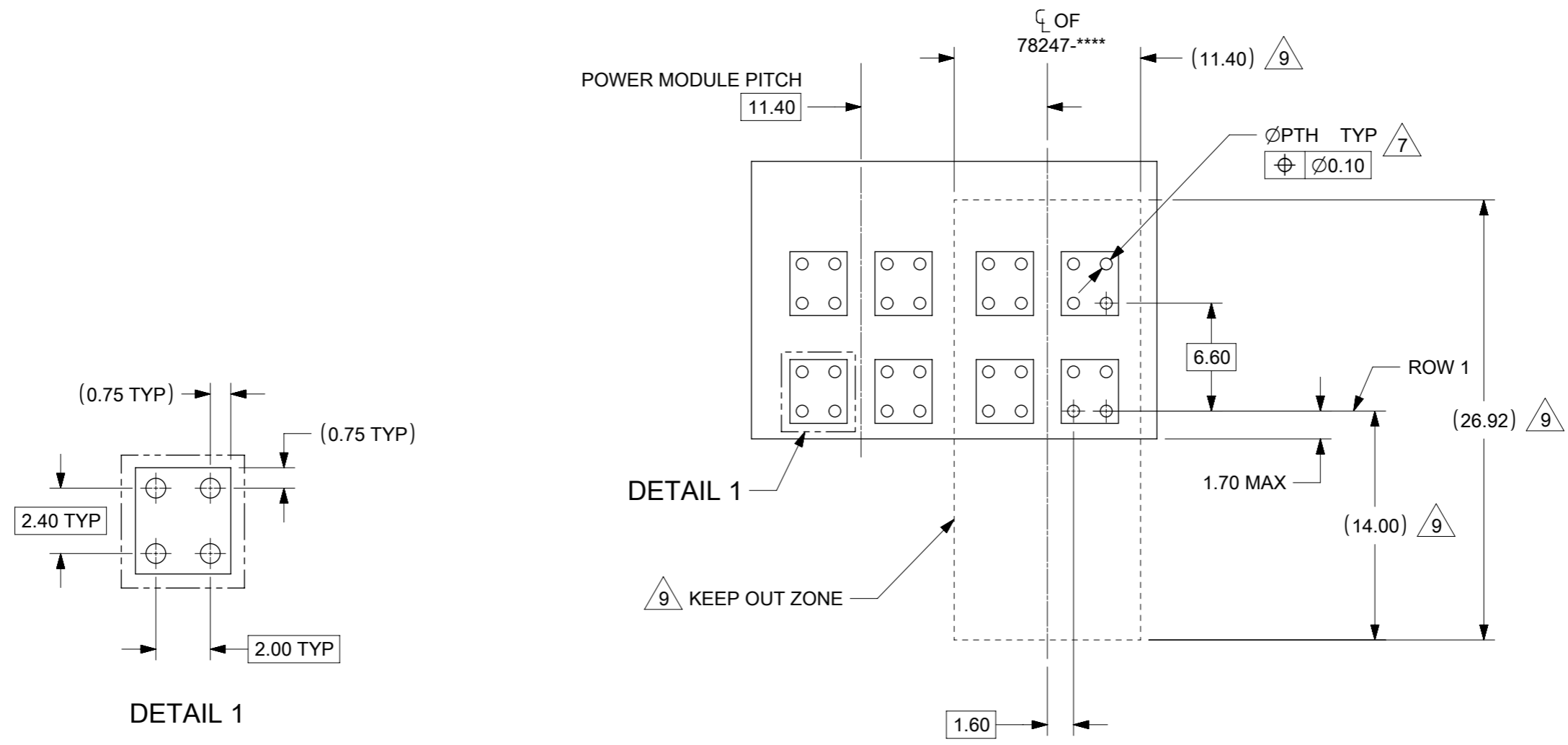
E

D

C

B

A



RECOMMENDED PCB LAYOUT
(COMPONENT SIDE SHOWN)
MINIMUM BOARD THICKNESS: 1.60mm

| | | | | | | | | | | | | | |
|---|--|---------|--|----------------------------------|--|---------|--|--|--|-----------------|--|----------------|--|
| THIS DRAWING CONTAINS INFORMATION THAT IS PROPRIETARY TO MOLEX ELECTRONIC TECHNOLOGIES, LLC AND SHOULD NOT BE USED WITHOUT WRITTEN PERMISSION | | | | | | | | | | | | | |
| DIMENSION UNITS | | SCALE | | CURRENT REV DESC: MIGRATED TO NX | | | | | | | | | |
| mm | | NTS | | | | | | | | | | | |
| GENERAL TOLERANCES (UNLESS SPECIFIED) | | | | | | | | | | | | | |
| ANGULAR TOL | | ± 3.0 ° | | EC NO: 611162 | | | | IMPACT POWER, 3 PAIR RIGHT ANGLE RECEPTACLE PRESS-FIT | | | | | |
| 4 PLACES | | ± | | DRWN: PMAHADEVAPPA 2019/01/17 | | | | PRODUCT CUSTOMER DRAWING | | | | | |
| 3 PLACES | | ± | | CHK'D: ABN 2019/02/01 | | | | | | | | | |
| 2 PLACES | | ± 0.25 | | APPR: CWANG25 2019/02/27 | | | | DOCUMENT NUMBER | | | | | |
| 1 PLACE | | ± | | INITIAL REVISION: | | | | SD-78247-001 | | DOC TYPE | | DOC PART | |
| 0 PLACES | | ± | | DRWN: KJKOH 2008/11/10 | | | | PSD | | 001 | | REVISION | |
| DRAFT WHERE APPLICABLE MUST REMAIN WITHIN DIMENSIONS | | | | THIRD ANGLE PROJECTION | | DRAWING | | SERIES | | MATERIAL NUMBER | | CUSTOMER | |
| | | | | | | A3-SIZE | | 78247 | | SEE TABLE | | GENERAL MARKET | |
| | | | | | | | | | | 3 OF 3 | | | |

| | | | | |
|-----------------|----|--------------|------------|----------|
| DOCUMENT STATUS | P1 | RELEASE DATE | 2019/02/27 | 02:29:35 |
|-----------------|----|--------------|------------|----------|

9 8 7 6 5 4 3 2 1