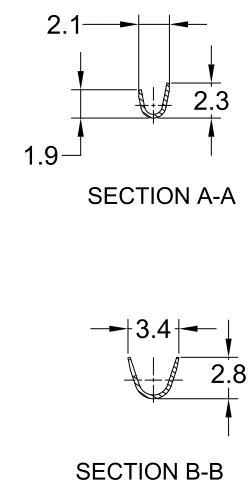
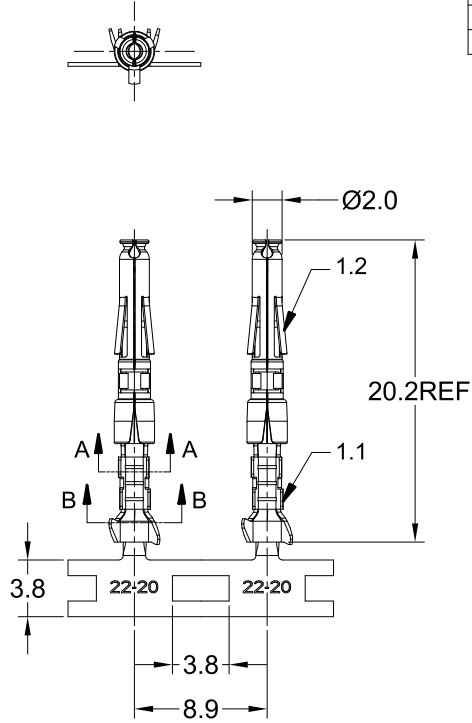


CONTACT ORIENTATION ON ROLL
(3000PCS/COIL)

NOTES: (UNLESS OTHERWISE SPECIFIED)

1. MATERIAL:
 - 1.1. CONTACT BODY: COPPER ALLOY.
 - 1.2. OUTER SPRING: STAINLESS STEEL.
2. SPECIFICATIONS:
 - 2.1 CURRENT RATING: 5A MAX.
 - 2.2 TERMINATION TYPE: CRIMPING.
 - 2.3 WIRE RANGE: 18~22AWG.
 - 2.4 WIRE INSULATION DIA(MAX): Ø2.6mm.
3. RoHS COMPLIANT.
4. ALL DIMENSIONS ARE FOR REFERENCE USE ONLY.
5. AVAILABLE TOOLS:
 - 5.1 HAND CRIMPER: MFX-3958.
 - 5.2 CRIMP APPLICATOR: MFX-3957.
 - 5.3 EXTRACTION TOOL: QXRT20.

P/N	CONTACT PLATING(MATING AREA)
SS20W2T	TIN PLATING OVER NICKEL.
SS20W2N	NICKEL PLATING OVER COPPERIZE.
SS20W2F	GOLD FLASH PLATING OVER NICKEL.
SS20W2G5	5µ"GOLD PLATING OVER NICKEL.
SS20W2G10	10µ"GOLD PLATING OVER NICKEL.
SS20W2G15	15µ"GOLD PLATING OVER NICKEL.
SS20W2G30	30µ"GOLD PLATING OVER NICKEL.



REVISIONS					
REV	ECO	DESCRIPTION	DATE	BY	APPR
A1	-	RELEASED DRAWING	Nov-9-17	Rookie	Tommy
A2	-	ADD THE G5 PART NUMBER	Jan-28-19	Blink	Tommy
A3	-	CHANGE HAND CRIMPER	Nov-8-19	Flan	Tommy
A4	C1735S	CHANGE STAINLESS STEEL HOOD	Oct-25-22	Ronald	Tommy
A5	-	UPDATE CONTACT ORIENTATION ON ROLL	May-18-23	Ronald	Tommy
A6	-	CHANGE THE WIRE RANGE	Aug-09-23	Ronald	Tommy

QUANTITY	PART NUMBER	DESCRIPTION	ITEM
MATERIALS LIST			
<small>UNLESS OTHERWISE SPECIFIED: 1) All dimensions are in metric (mm). 2) Tolerances are as follows: 1 PL DEC ±0.30 Fractions ±1/64 2 PL DEC ±0.15 Angles ±1° 3 PL DEC ±0.08</small>		SIGNATURES DATE DRAWN: Ronald Aug-09-23 CHECKED: Joe Aug-10-23 ENGINEER: APPROVAL: Tommy Aug-10-23 CUSTOMER:	
<small>MATERIAL SPECIFICATIONS: PROCESS SPECIFICATIONS: NEXT ASSY:</small>		 Sine Systems - www.amphenol-sine.com 44724 Morley Drive Clinton Township, MI 48036 ECO-MATE, SOCKET CONTACT, STAMPED, 18-22AWG, SIZE 20	
<small>THIS DRAWING IS SUPPLIED FOR INFORMATION ONLY. DESIGN FEATURES, SPECIFICATIONS AND PERFORMANCE DATA SHOWN HEREON ARE THE PROPERTY OF THE AMPHENOL CORPORATION. NO RIGHTS OF REPRODUCTION ARE IMPLIED. ALL DIMENSIONS ARE SUBJECT TO NORMAL MANUFACTURING VARIATIONS.</small>		SIZE: B C- SCALE: NONE	DWG NO: SS20W2xx SHEET 1 OF 1

TITLE: ECO-MATE SOCKET CONTACT, STAMPED, 18-22 AWG, SIZE 20
 DWG NO.: SS20W2xx
 REV: A6
 SH: 1
 OF: 1