

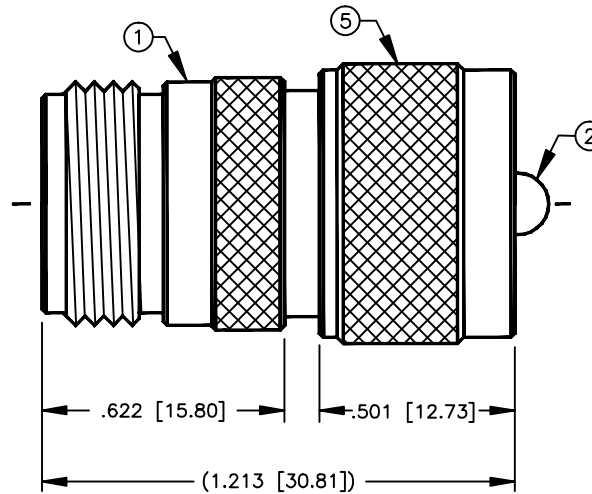
# SPECIFICATION CONTROL DRAWING

THIS DRAWING CONTAINS INFORMATION PROPRIETARY TO RF INDUSTRIES, LTD. ANY UNAUTHORIZED USE OF THIS DRAWING IS EXPRESSLY PROHIBITED. ANY VIOLATION IS PUNISHABLE UNDER U.S. COPYRIGHT LAWS.

REV	DESCRIPTION	DWN	DATE	APPROVED
B	ADD DIELECTRIC AND CONTACT DIMENSIONS	KMM	6/28/94	R. RICE
C	CHG TO 1 PIECE DIE ITEM #3 / ADD BARB TO CONTACT ITEM #2	CZS	3/10/98	R. RICE
D	CONTACT NOW PHOS BRONZE / UPDATE SPECS	CZS	9/9/99	R. RICE
E	CHANGE CONTACT MATERIAL	CZS	1/26/00	J. D. McR.

000000

ALL DIMENSIONS ARE REFERENCE ONLY



## SPECIFICATIONS:

IMPEDANCE: 50 OHMS  
 WORKING VOLTAGE: 500 VRMS @ SEA LEVEL  
 FREQUENCY RANGE: 0-300 MHZ

DIMENSIONS ARE IN INCHES AND [MILLIMETERS]

UNLESS OTHERWISE NOTED TOLERANCES ARE:  
 DECIMALS DIAMETER

**RFconnectors**  
 DIVISION OF RF INDUSTRIES, LTD.

7610 MIRAMAR RD  
 SAN DIEGO, CA 92126  
 (858) 549-6340  
 (858) 549-6345 FAX

**RFN-1036-1 / UG-83B/U**

N FEMALE TO UHF MALE

ITEM	DESCRIPTION	QTY	MATERIAL	FINISH
5	SHELL	1	BRASS	SILVER
4	RETAINING RING	1	BRASS	NONE
3	DIELECTRIC	1	PTFE	NONE
2	CONTACT	1	BRASS	GOLD
1	BODY	1	BRASS	SILVER

DRAWN C. ZUNIGA	1/26/00
CHECKED	
ORJ DRAWN C. JONES	11/4/91
APPROVALS	DATE

SIZE A	CABLE GROUP N/A	DWG NO. 7280	REV E
SCALE: 2:1	CAD FILE 13ARC B	SHEET 1 OF 1	