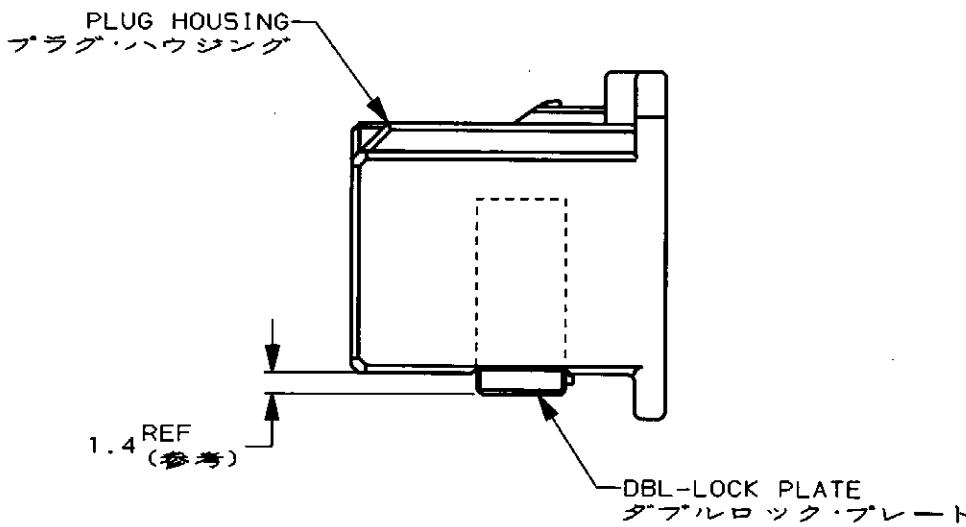
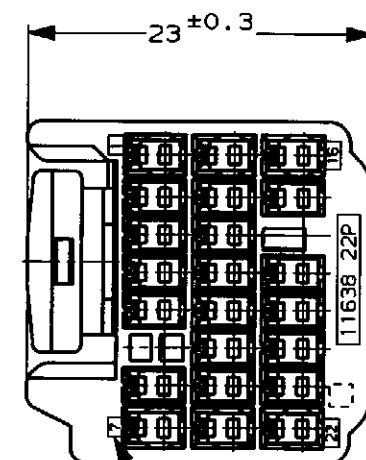
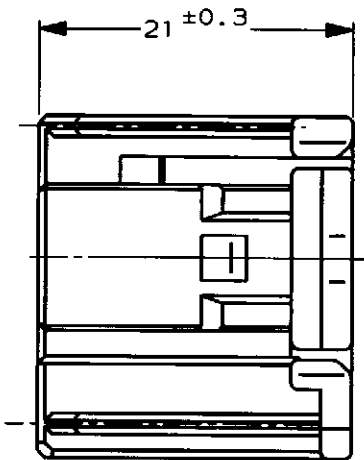
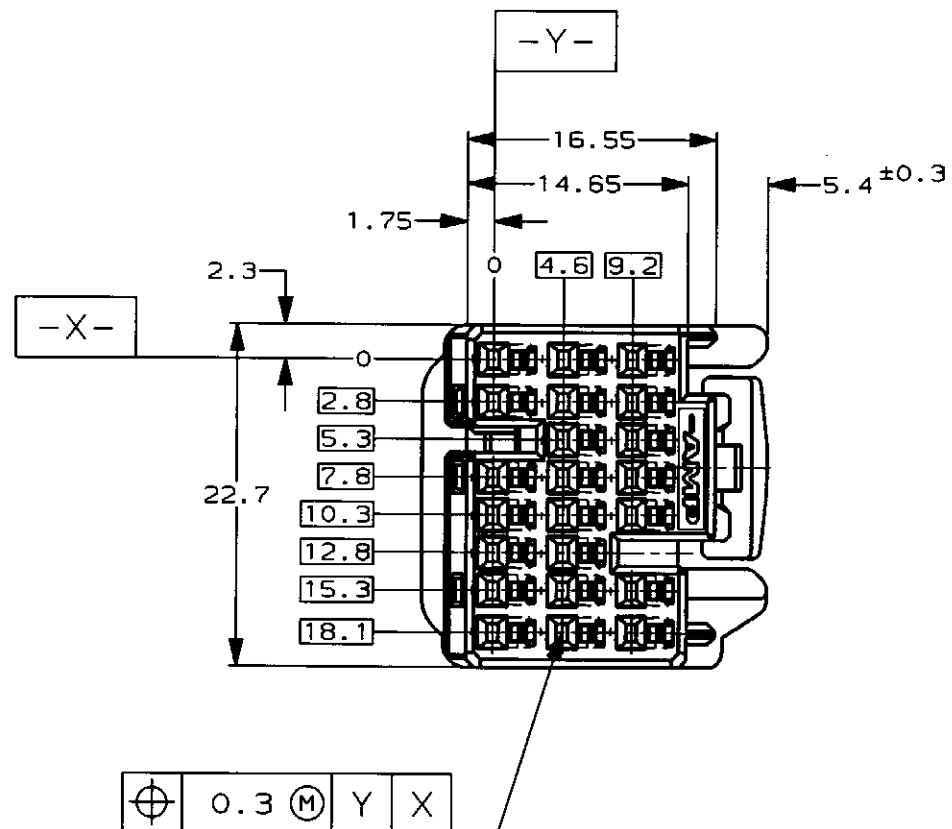


LOC		DIST		REVISIONS						
J		-		P	LTR	DESCRIPTION	ECN	DATE	DWN	APVD
					0	DRAWN	FJ00-4999-96	7/5'96	HY	NS
					A	ADDED -2	FJ00-5007-96	7/23'96	HY	NS
					B	REVISED	FJ00-0606-97	16APR97	HY	NS



- PART NUMBER OF CAP HOUSINGS TO BE MATED, 353015, 353016
- DETAILS OF CAVITIES; SEE TABLE-1

- 嵌合相手ハウジング型番; 353015, 353016
- キャビティ構成は、TABLE-1 参照

TABLE-1

CAVITY キャビティ	POS. 極数	CIRCUIT NO 回路番号	APPLIED CONTACT P/N 適用端子型番	APPLICABLE WIRE RANGE 適用電線
	16	2-6 9-14 17-21	316836, 316837	AVSS/CAVS 0.3~0.5mm <sup>2</sup> CAVUS 0.3~0.5mm <sup>2</sup>
	6	1, 7, 8 15, 16, 22	316836, 316837 316838	AVS 0.5mm <sup>2</sup> AVSS/CAVS 0.85~1.25mm <sup>2</sup> CAVUS 1.25mm <sup>2</sup>

THIS DRAWING IS A CONTROLLED DOCUMENT FOR AMP INCORPORATED. IT IS SUBJECT TO CHANGE AND THE CONTROLLING ENGINEERING ORGANIZATION SHOULD BE CONTACTED FOR THE LATEST REVISION.

DIMENSIONS 単位: 概 mm	TOLERANCES UNLESS OTHERWISE SPECIFIED 一般公差 10% ±0.2 30% ±0.25 100% ±0.3 ANGLE: ±3°
MATERIAL 材料	COLOR 色
PBT	SEE TABLE 表参照

DWN 7/5'96 H. YAMAGAMI
CHK 7/5'96 T. KOHNO
APVD 7/5'96 N. SAI
PRODUCT SPEC 製品規格 108-5529
APPLICATION SPEC 取付適用規格 114-5217
WEIGHT 5.0g
CUSTOMER DRAWING

BLACK (黒)	353028-2
NATURAL (自然色)	353028-1
COLOR (色)	PART NUMBER (型番)
<b>AMP</b> 日本エー・エム・ピー株式会社 Kawasaki, Japan	
.040III HIGH DENSITY CONNECTOR 22P PLUG HOUSING ASSY	
SIZE A3	CAGE CODE 00779
DRAWING NO ③-353028	
SCALE 尺度 2-1	SHEET 1 OF 1
REV B	