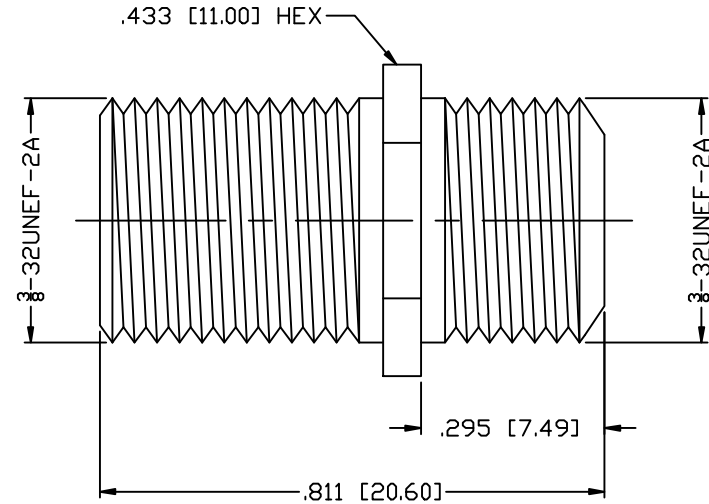
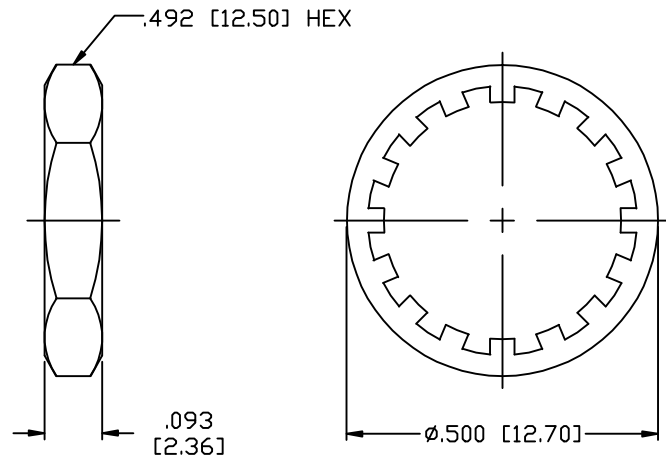


PART NO.		RFF-1477		
REV	DESCRIPTION	DWN	DATE	APPROVED
-	ENGINEERING RELEASE	CZS	03/24/11	JDMc



SPECIFICATIONS:

IMPEDANCE: 75 Ohms
 FREQUENCY RANGE: 0-1 GHz
 WORKING VOLTAGE: 500 V rms max. @ sea level

5	HEX NUT	1	ZINC	NICKEL
4	LOCK WASHER	1	FE	NICKEL
3	CONTACT	1	FE	NICKEL
2	INSULATOR	2	PE	---
1	BODY	1	ZINC	NICKEL
#	DESCRIPTION	QTY	MATERIAL	FINISH

CUSTOMER OUTLINE DRAWING	
ALL DIMENSIONS ARE REFERENCE ONLY	
UNLESS OTHERWISE SPECIFIED: DIMENSIONS ARE IN INCHES AND [MILLIMETERS]	
DRAWN C. ZUNIGA	03/24/11
CHECKED	
ORJ DRAWN C. ZUNIGA	03/24/11

RoHS COMPLIANT

PROPRIETARY AND CONFIDENTIAL
 THIS DRAWING CONTAINS
 INFORMATION PROPRIETARY TO
 RF INDUSTRIES. ANY
 UNAUTHORIZED USE OF THIS
 DRAWING IS EXPRESSLY
 PROHIBITED WITHOUT WRITTEN
 PERMISSION FROM RF
 INDUSTRIES. ANY VIOLATION IS
 PUNISHABLE UNDER U.S.
 COPYRIGHT LAWS.

RFconnectors 7610 MIRAMAR RD.
 SAN DIEGO, CA 92126
 (858) 549-6340
 DIVISION OF RF INDUSTRIES, LTD. (858) 549-6345 FAX

F JACK TO F JACK
 REAR MOUNT BULKHEAD ADAPTER

SIZE A	CABLE GROUP N/A	DWG NO. RFF-1477	REV ---
SCALE: NTS	ENGINEERING ID: 000367	SHEET 1 OF 1	