

■ DESCRIPTION

The S1F81150 is a System Power Supply IC. From the Li-Ion/Li-polymer battery, 6 channels of output voltage are generated via external devices. The 6 channels are independent of each other.

On this series, an I²C controller (for the slave function), input and output voltage detecting functions and many kinds of operation modes (Normal, Sleep, Deep Sleep, Ultra-Energy-Saving) are provided as well as three PWM controller channels and three series regulator channel.

Table.1 Product list

Model	Package	Mask Option		
		[No.1] CH-2	[No.2] CH-3	[others]
S1F81150F0A2000	QFP12-48	2.9V	1.8V	—
S1F81150F5A2000	QFN7-48	2.9V	1.8V	(Under Development)

■ FEATURES

The features of the S1F81150 include the following:

Input voltage: V_{IN} 2.9V to 4.5V

Regulator: 6 channels

CH-1 (Vcc1): PWM controller

Fast synchronized rectification type PWM controller

(Connected to an external component to configure a switching regulator.)

Features include a fast response circuit using a current/voltage returning system, a short-circuit-proof circuit, a soft-start system, more compact external components by a fast clock, and dynamic voltage management system.

Output voltage: 1.5/1.4/1.3/1.2/1.1/1.0/0.9/0.85/0.8V

One of these values is to be selected via the I²C controller.

Accuracy: within ±5%

Output current: In the sleep status: OFF.

In the normal operation: Max.: 500mA

CH-2 (Vcc2): PWM controller

Fast synchronized rectification type PWM controller

(Connected to an external component to configure a switching regulator.)

Features include a fast response circuit using a current/voltage returning system, a short-circuit-proof circuit, a soft-start system and more compact external components by a fast clock.

Output voltage: 2.9V (*) (*) Output voltage can be selected by metal option

Accuracy: within ±5%

Output current: In the deep sleep status: OFF.

In the backup operation: Max.: 10mA

In the normal operation: Max.: 1A

CH-3 (Vcc3): PWM controller

Fast synchronized rectification type PWM controller

(Connected to an external component to configure a switching regulator.)

Features include a fast response circuit using a current/voltage returning system, a short-circuit-proof circuit, a soft-start system and more compact external components by a fast clock.

Output voltage: 1.8V (*) (*) Output voltage can be selected by metal option

Accuracy: within ±5%

Output current: In the deep sleep status: OFF.

In the backup operation: Max.: 10mA

In the normal operation: Max.: 1A

S1F81150 Series

CH-4 (Vcc4): Series regulator

A low power consumption type Series Regulator.

Output voltage: 1.3V

Output current: In the sleep status: OFF.
In the normal operation: Max: 30mA

CH-5 (Vcc5): Series regulator

A low power consumption type Series Regulator.

Output voltage: 1.1V

Output current: In the sleep status: OFF.
In the normal operation: Max: 30mA

CH-B (VccB): Series regulator

A low power consumption type Series Regulator.

Output voltage: 3.0V ($\pm 25\%$)

Output current: In the CH-2:OFF status: Max.: 5mA
In the normal operation: OFF.

Conversion Efficiency:	Switching regulator (CH-1):	Max. 85% or more
	Switching regulator (CH-2/CH-3):	Max. 90% or more
Current consumption:	Ultra-Energy-Saving mode:	0.6 μ A (Typ. @VIN=3.6V)
	Deep Sleep mode	40 μ A (Typ. @VIN=3.6V)
	Sleep mode	85 μ A (Typ. @VIN=3.6V)
	Normal mode	1.2mA (Typ. @VIN=3.6V)
External interface:	Built-in interfaces in the I ² C controller (SDA and SCL, for the slave function only).	
Output voltage detecting function:	1 channel	(nVCC_FLT)
Input voltage detecting function:	1 channel	(nBAT_FLT)
Resetting function:	1 channel	(XRST(I), nRESET(O))
Sleep function:	2 channel	(PWR_EN, SYS_EN)
DVM function:	CH-1 voltage shifting slew rate setting via I ² C controller. $\Delta V / \Delta t$ in Fig.1 can be set by register.	

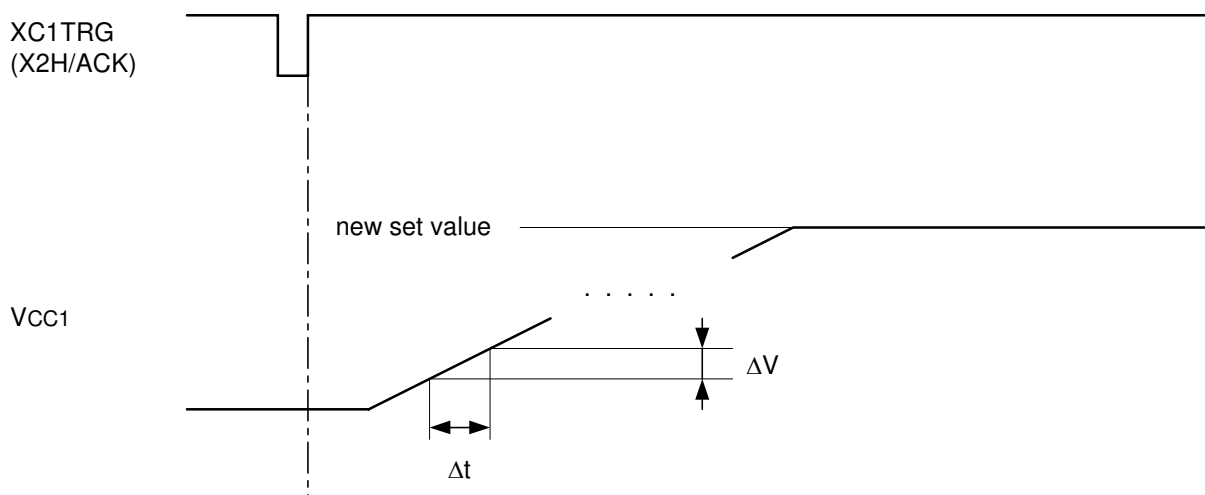


Fig.1 DVM function

S1F81150 Series

■ BLOCK DIAGRAM

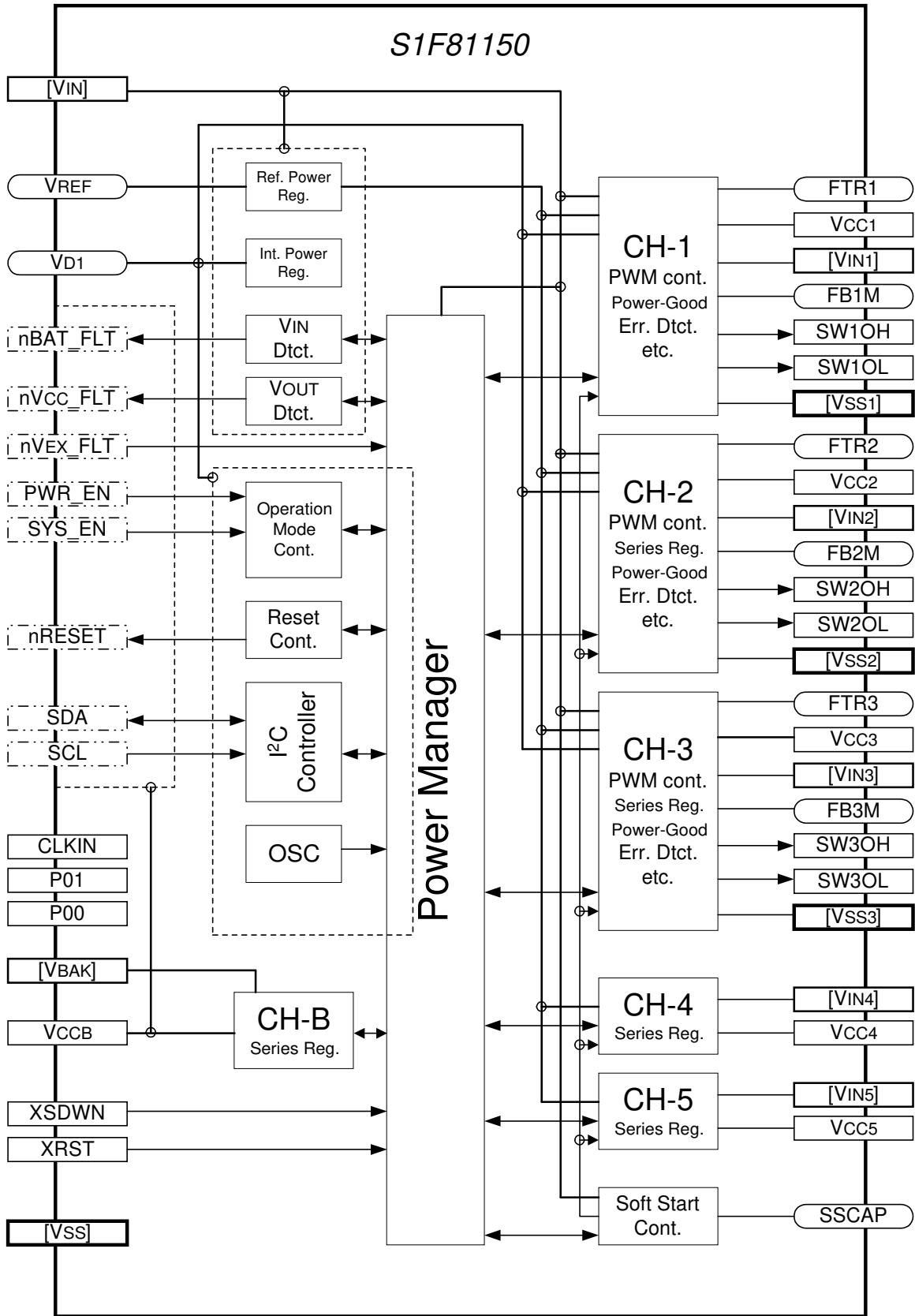


Fig.2 S1F81150 Block diagram

S1F81150 Series

■ PIN ASSIGNMENT

[QFP12-48]

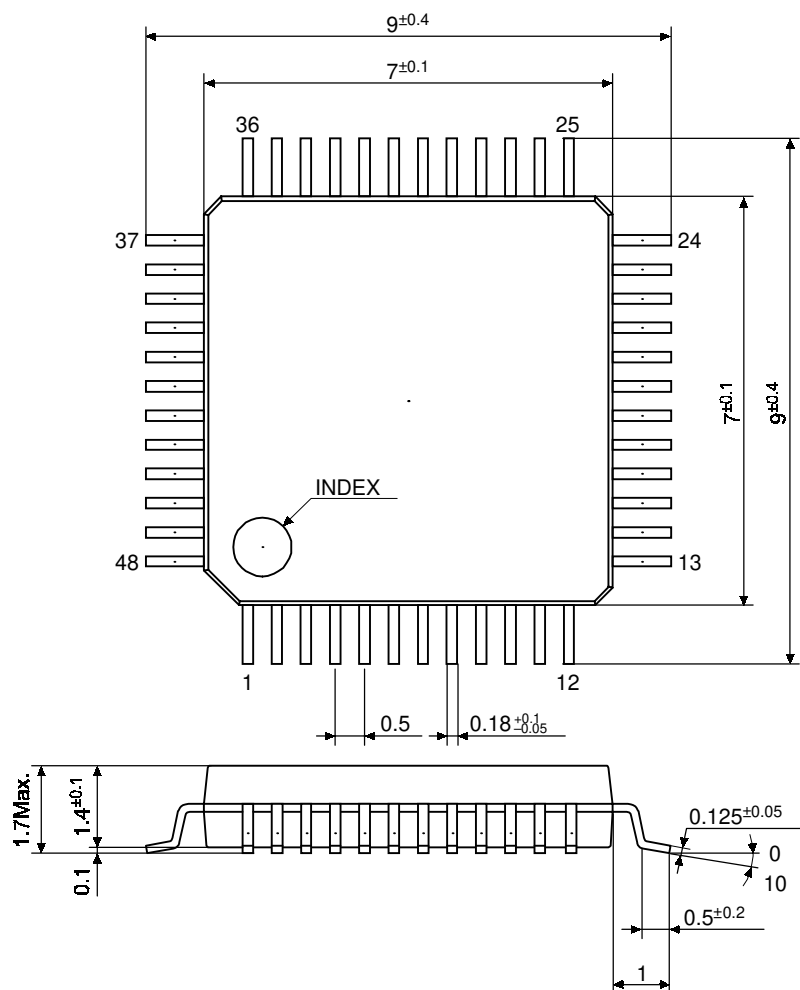


Fig.3 QFP12-48 package gram

Table 2 QFP12-48 pin assignment

No.	Pin Name	No.	Pin Name	No.	Pin Name	No.	Pin Name
1	SW3OH	13	VCC5	25	VBAK	37	P01
2	FB3M	14	VCC4	26	VCCB	38	P02
3	SW3OL	15	VIN4	27	PWR_EN	39	FTR2
4	VSS3	16	VIN5	28	WUP	40	VCC2
5	FTR1	17	XRST	29	nRESET	41	VIN2
6	VCC1	18	VIN	30	nBAT_FLT	42	SW2OH
7	VIN1	19	VREF	31	nVcc_FLT	43	FB2M
8	SW1OH	20	VD1	32	nVEX_FLT	44	SW2OL
9	FB1M	21	VSS	33	SYS_EN	45	VSS2
10	SW1OL	22	XSDWN	34	SCL	46	FTR3
11	VSS1	23	XTEST0	35	SDA	47	VCC3
12	SSCAP	24	CLKIN	36	P00	48	VIN3

S1F81150 Series

[QFP7-48]

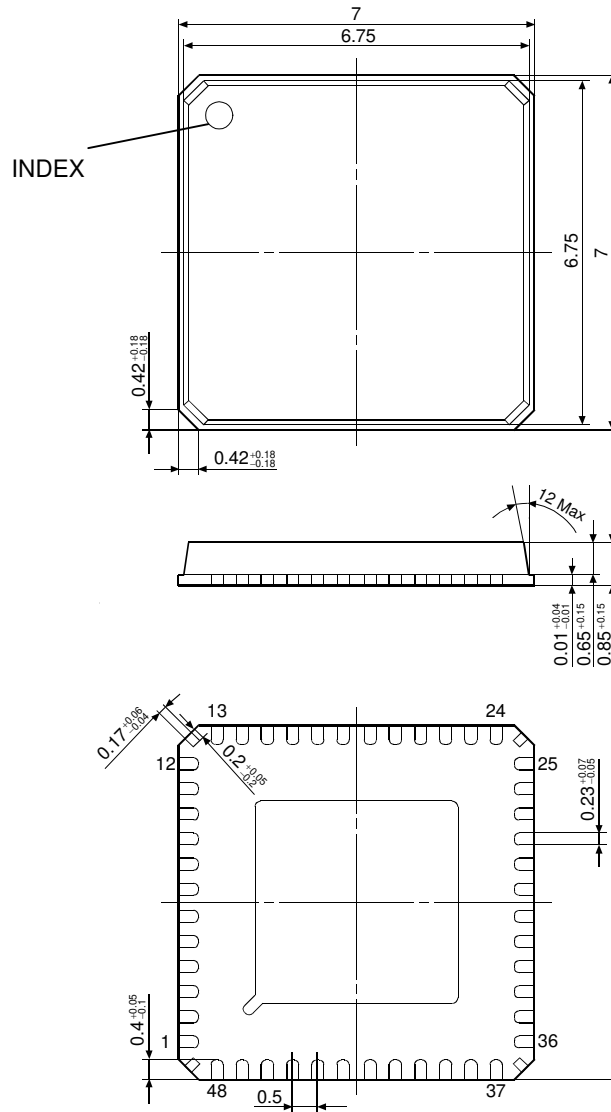


Fig.4 QFP7-48 package gram

Table.3 QFP7-48 pin assignment

No.	Pin Name	No.	Pin Name	No.	Pin Name	No.	Pin Name
1	SW3OH	13	VCC5	25	VBAK	37	P01
2	FB3M	14	VCC4	26	VCCB	38	P02
3	SW3OL	15	VIN4	27	PWR_EN	39	FTR2
4	VSS3	16	VIN5	28	WUP	40	VCC2
5	FTR1	17	XRST	29	nRESET	41	VIN2
6	VCC1	18	VIN	30	nBAT_FLT	42	SW2OH
7	VIN1	19	VREF	31	nVCC_FLT	43	FB2M
8	SW1OH	20	Vd1	32	nVEX_FLT	44	SW2OL
9	FB1M	21	VSS	33	SYS_EN	45	VSS2
10	SW1OL	22	XSDWN	34	SCL	46	FTR3
11	VSS1	23	XTEST0	35	SDA	47	VCC3
12	SSCAP	24	CLKIN	36	P00	48	VIN3

S1F81150 Series

■ PIN DESCRIPTION

Table.3 S1F81150 Pin description

No.	Name	I/O	Function	Level	Pin No.
[Power terminal/control terminal]					
1	VIN	Power	Main power (+) input terminal	—	
2	VSS	Power	Main power (-) input terminal	—	
3	VD1	Analog	Internal constant power output terminal	—	
4	VREF	Analog	Reference power output terminal	—	
5	nVCC_FLT	O	Output detection result output terminal	VCCB	
6	nBAT_FLT	O	Input detection result output terminal	VCCB	
7	nRESET	O	System reset output terminal	VCCB	
8	PWR_EN	I	Mode setting input terminal	VCCB	
9	SYS_EN	I	Mode setting input terminal	VCCB	
10	WUP	O	Vcc1 power change indication output terminal	VCCB	
11	nVEX_FLT	I	External power detection result input terminal	VCCB	
12	CLKIN	I	External clock input terminal	VCC2	
13	XRST	I	Reset input terminal	VIN	
14	XTEST0	I	Test terminal	VIN	
15	XSDWN	I	Ultra-energy-saving mode setting terminal	VIN	
16	P00	I/O	General purpose I/O terminal	VCC2	
17	P01	I/O	General purpose I/O terminal	VCC2	
18	P02	I/O	Test terminal	VCC2	
19	SCL	I	I ² C clock input terminal	VCCB	
20	SDA	I/O	I ² C data input/output terminal	VCCB	
21	SSCAP	Analog	Soft start setting terminal	—	
[CH-1 related terminal]					
22	VIN1	Power	Main power (+) input terminal	—	
23	SW1OH	O	P-ch power MOS drive output terminal	VIN1	
24	SW1OL	O	N-ch power MOS drive output terminal	VIN1	
25	FB1M	Analog	Output current feed back input terminal	—	
26	VCC1	Analog	Output power feed back input terminal	—	
27	FTR1	Analog	N.C.	—	
28	VSS1	Power	Main power (-) input terminal	—	
[CH-2 related terminal]					
29	VIN2	Power	Main power (+) input terminal	—	
30	SW2OH	O	P-ch power MOS drive output terminal	VIN2	
31	SW2OL	O	N-ch power MOS drive output terminal	VIN2	
32	FB2M	Analog	Output current feed back input terminal	—	
33	VCC2	Analog	Output power feed back input terminal	—	
34	FTR2	Analog	Analog filter terminal	—	
35	VSS2	Power	Main power (-) input terminal	—	
[CH-3 related terminal]					
36	VIN3	Power	Main power (+) input terminal	—	
37	SW3OH	O	P-ch power MOS drive output terminal	VIN3	
38	SW3OL	O	N-ch power MOS drive output terminal	VIN3	
39	FB3M	Analog	Output current feed back input terminal	—	
40	VCC3	Analog	Output power feed back input terminal	—	
41	FTR3	Analog	Analog filter terminal	—	
42	VSS3	Power	Main power (-) input terminal	—	
[CH-4 related terminal]					
43	VIN4	Power	CH-4 regulator power (+) input terminal	—	
44	VCC4	Analog	VCC4 power output terminal	—	
[CH-5 related terminal]					
45	VIN5	Power	CH-5 regulator power (+) input terminal	—	
46	VCC5	Analog	VCC5 power output terminal	—	
[CH-B related terminal]					
47	VBAK	Power	CH-B regulator power (+) input terminal	—	
48	VCCB	Analog	VCCB power output terminal	—	

S1F81150 Series

EXTERNAL CONNECTION DIAGRAM

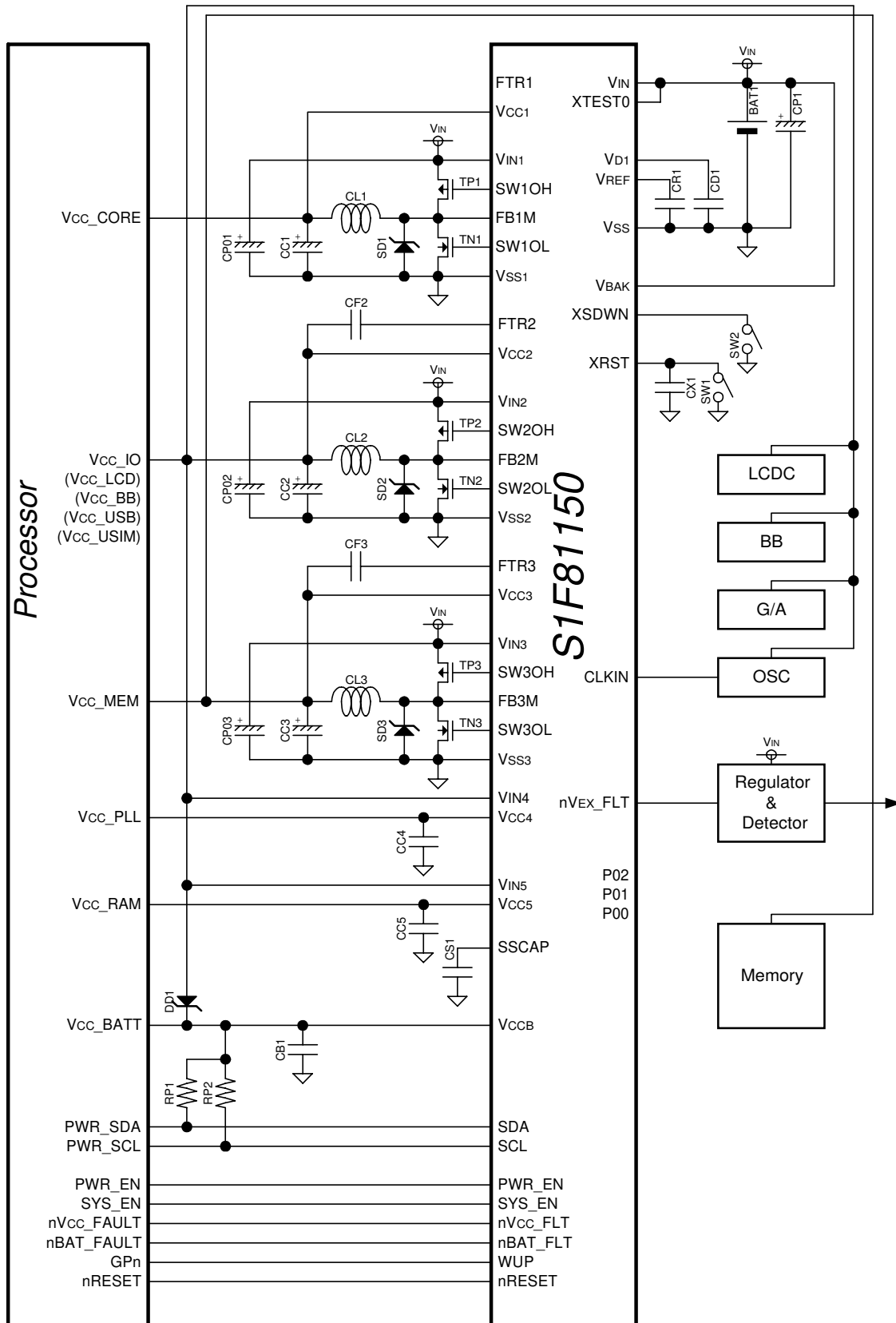


Fig.5 S1F81150 external connection diagram

S1F81150 Series

NOTICE:

No part of this material may be reproduced or duplicated in any form or by any means without the written permission of Seiko Epson. Seiko Epson reserves the right to make changes to this material without notice. Seiko Epson does not assume any liability of any kind arising out of any inaccuracies contained in this material or due to its application or use in any product or circuit and, further, there is no representation that this material is applicable to products requiring high level reliability, such as, medical products. Moreover, no license to any intellectual property rights is granted by implication or otherwise, and there is no representation or warranty that anything made in accordance with this material will be free from any patent or copyright infringement of a third party. This material or portions thereof may contain technology or the subject relating to strategic products under the control of the Foreign Exchange and Foreign Trade Law of Japan and may require an export license from the Ministry of International Trade and Industry or other approval from another government agency.

All other product names mentioned herein are trademarks and/or registered trademarks of their respective companies.

©Seiko Epson Corporation 2003, All rights reserved.

SEIKO EPSON CORPORATION

ELECTRONIC DEVICES MARKETING DIVISION

IC Marketing & Engineering Group

ED International Marketing Department

421-8 Hino, Hino-shi, Tokyo 191-8501, JAPAN
Phone: 042-587-5814 FAX: 042-587-5117

■ EPSON Electronic devices Website

<http://www.epsondevice.com/>



Document code: 404814600

First issue November, 2003

Printed in Japan (H)

Rev.1.1E