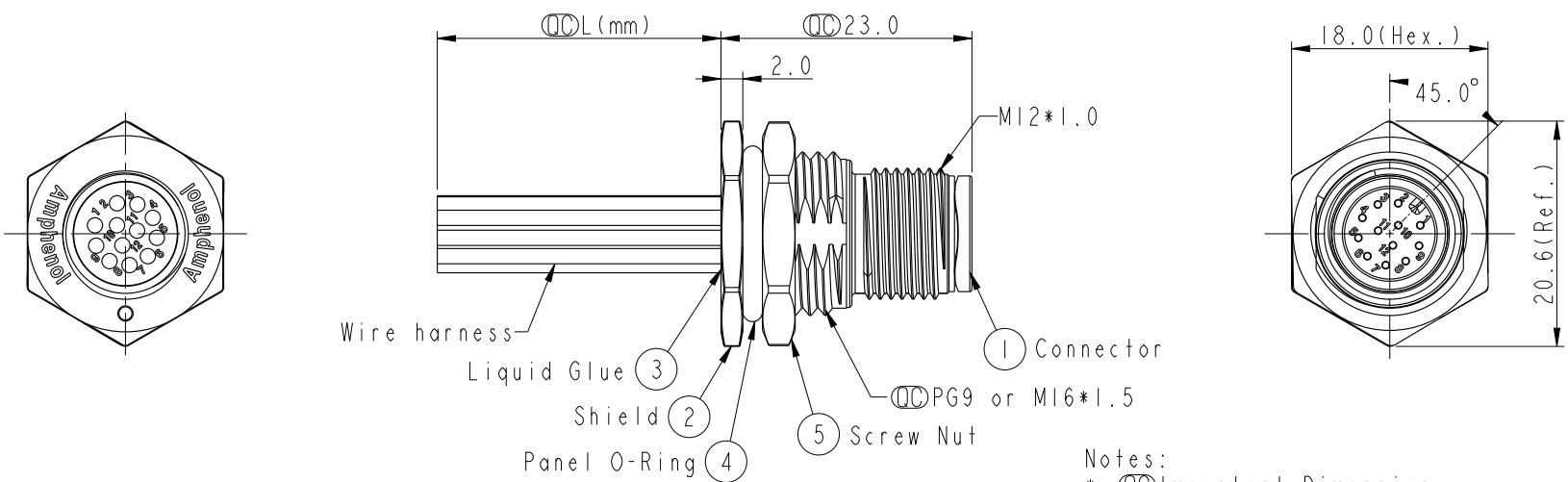
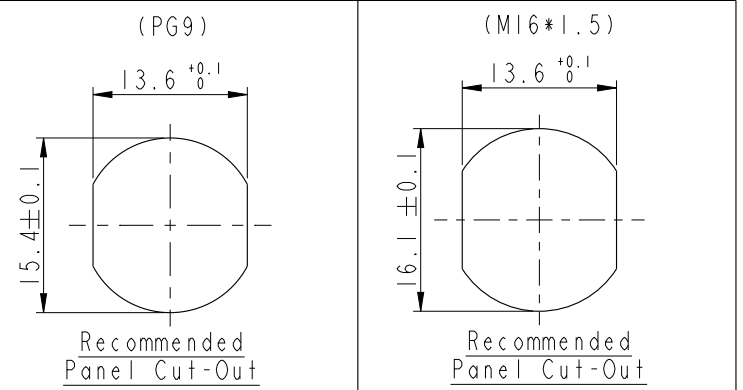


THIS DOCUMENT IS SUBJECT TO CHANGE WITHOUT NOTICE. IT IS CONFIDENTIAL AND A PROPERTY OF Amphenol LTW. DISCLOSURE TO THIRD PARTY HAS TO BE AUTHORIZED BY Amphenol LTW.

REV.	ECN NO.	DATE	SIGN	DESCRIPTION
C	LEN1680569-580 LEN1680598-603	2016/08/08	Yulong_wang	Add 6Pin & IP69K.
D	E191630	2019/09/19	Ruru	Update Wire Tolarance
E	BOMR19100207	2019/10/30	Peng	Add 17Pin



- Notes:
- * \varnothing Important Dimension.
 - $\triangle C$ * Waterproof Rate: IP68, IP69K.
 - * Connector: Nylon+GF, Black.
 - $\triangle E$ * Male Pin: Copper Alloy, Gold Plated.
 - * Shield: Zinc Alloy, Nickel Plated.
 - * Screw Nut: Zinc Alloy, Nickel Plated.
 - * Panel O-Ring: Viton, Black.
 - * Wire harness: UL1061
 - * Rated Voltage: 3 & 4Pin 250V dc. or ac.
5Pin 60V dc. or ac.
6~12Pin, 17Pin, 30V dc. or ac.
 - * Rated Current: 3~5Pin 4A
6~8Pin 2A
10~12Pin, 17Pin, 1.5A
 - * Operating Temperature: -25~85°C
 - * For Panel Thickness Max 4.5mm.
 - * Nut Torque: 4-6 Kgf.cm.
 - $\triangle D$ * Wire harness Tolerance: 150~300±15mm
301~1000±20mm
Over1000 ±50/-0mm



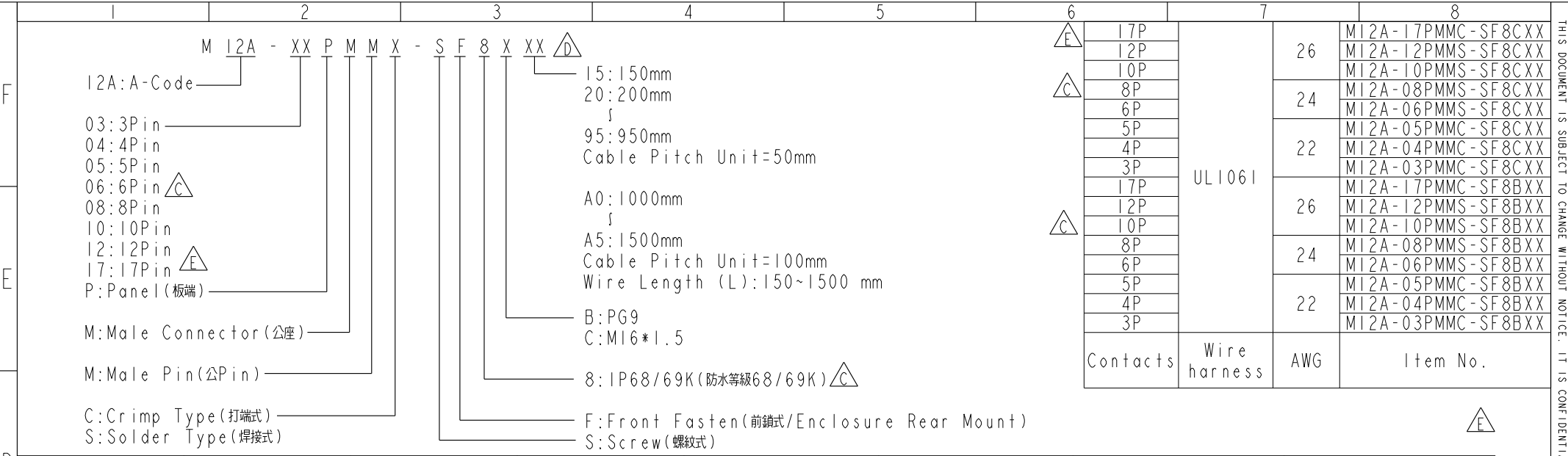
UNIT: mm		
TOLERANCE	.X ±0.25	
.XX ±0.1		
.XXX ±0.05		
ANGLES	±1°	

TITLE MI2 A-Code Male Conn. Panel Front With Wire harness			
SCALE 3:2	SIZE A4	SHEET 1 OF 2	
REV. E	WC-REV. A.3	\varnothing : Inspection item	

Amphenol LTW
安費諾亮泰企業股份有限公司

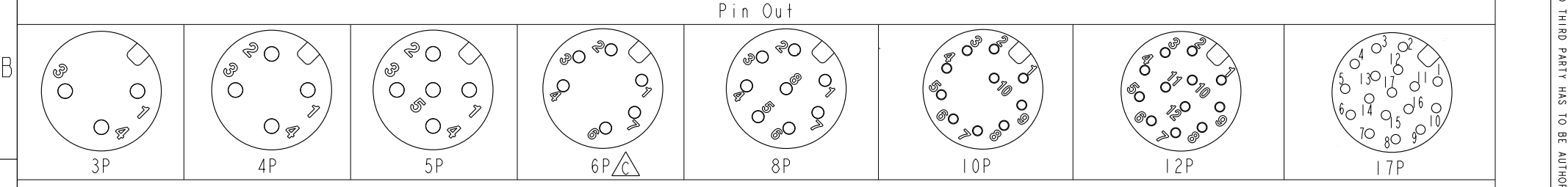
ITEM NO	DWG NO	CUSTOMER	DRAWN BY	CHECKED BY	APPROVED BY	DATE
	M12A-XXPMMX-SF8XXX	ALTW	Ruru	Rita	Max	2019-09-19

THIS DOCUMENT IS SUBJECT TO CHANGE WITHOUT NOTICE. IT IS CONFIDENTIAL AND A PROPERTY OF Amphenol LTW. DISCLOSURE TO THIRD PARTY HAS TO BE AUTHORIZED BY Amphenol LTW.



UL1061	17P	26	M12A-17PMMC-SF8CXX
	12P		M12A-12PMMS-SF8CXX
	10P		M12A-10PMMS-SF8CXX
	8P	24	M12A-08PMMS-SF8CXX
	6P		M12A-06PMMS-SF8CXX
	5P		M12A-05PMMC-SF8CXX
	4P	22	M12A-04PMMC-SF8CXX
	3P		M12A-03PMMC-SF8CXX
	17P		M12A-17PMMC-SF8BXX
	12P	26	M12A-12PMMS-SF8BXX
	10P		M12A-10PMMS-SF8BXX
	8P		M12A-08PMMS-SF8BXX
	6P	24	M12A-06PMMS-SF8BXX
	5P		M12A-05PMMC-SF8BXX
	4P		M12A-04PMMC-SF8BXX
	3P	22	M12A-03PMMC-SF8BXX
	Contacts	Wire harness	AWG

Pin #	Wire	Pin #	Wire	Pin #	Wire	Pin #	Wire	Pin #	Wire	Pin #	Wire	Pin #	Wire	Pin #	Wire																														
5	--	5	--	5	Gray	灰	5	--	5	Gray	灰	5	--	5	Gray	灰																													
4	Black	4	Black	4	Black	黑	4	Blue	4	Blue	藍	4	Black	4	Black	黑																													
3	Blue	3	Blue	3	Blue	藍	3	Pink	3	Blue	藍	3	Yellow	3	Green	綠																													
2	--	2	White	2	White	白	2	-	2	White	白	2	Brown	2	Brown	棕																													
1	Brown	1	Brown	1	Brown	棕	1	White	1	White	白	1	White	1	White	白																													
12	--	11	--	10	Violet	紫	9	Black	9	Black	黑	8	Red	8	Red	紅																													
11	--	10	Violet	10	Violet	紫	9	Black	9	Black	黑	8	Red	8	Red	紅																													
10	Violet	9	Black	9	Black	黑	8	Red	8	Red	紅	7	Blue	7	Blue	藍																													
9	Black	8	Red	8	Red	紅	7	Blue	7	Blue	藍	6	Pink	6	Pink	粉																													
8	Red	7	Blue	7	Blue	藍	6	Pink	6	Pink	粉	5	Gray	5	Gray	灰																													
7	Blue	6	Pink	6	Pink	粉	5	Gray	5	Gray	灰	4	Yellow	4	Yellow	黃																													
6	Pink	5	Gray	5	Gray	灰	4	Yellow	4	Yellow	黃	3	Green	3	Green	綠																													
5	Gray	4	Yellow	4	Yellow	黃	3	Green	3	Green	綠	2	Brown	2	Brown	棕																													
4	Yellow	3	Green	3	Green	綠	2	Brown	2	Brown	棕	1	White	1	White	白																													
3	Green	2	Brown	2	Brown	棕	1	White	1	White	白	17	White/Gray	16	Yellow/Brown	15	White/Yellow	14	Brown/Green	13	White/Green	12	Red/Blue	11	Gray/Pink	10	Violet	9	Red	8	Gray	7	Black	6	Yellow	5	Pink	4	Green	3	White	2	Blue	1	Brown



Pin Assignments Front View

UNIT: mm TOLERANCE .X ±0.25 .XX ±0.1 .XXX ±0.05 ANGLES ±1°		TITLE M12 A-Code Male Conn. Panel Front With Wire harness		Amphenol LTW 安費諾亮泰企業股份有限公司	ITEM NO. DWG NO. CUSTOMER	DRAWN BY Ruru	DATE 2019-09-19
		SCALE 3:2	SIZE A4		SHEET 2 OF 2	CHECKED BY Rita	DATE 2019-09-19
		REV. E	WC-REV. A.3		Inspection item	APPROVED BY Max	DATE 2019-09-19
		ALTW					