

NHD-C160100AZ-RN-GBW

COG (Chip-On-Glass) Liquid Crystal Display Module

NHD-	Newhaven Display
C160100-	160 x 100 Pixels
AZ-	Model
R-	Reflective
N-	No Backlight
G-	STN Positive, Gray
B-	6:00 Optimal View
W-	Wide Temp
	RoHS Compliant

Newhaven Display International, Inc.

2661 Galvin Ct.

Elgin IL, 60124

Ph: 847-844-8795

Fax: 847-844-8796

www.newhavendisplay.com

nhtech@newhavendisplay.com

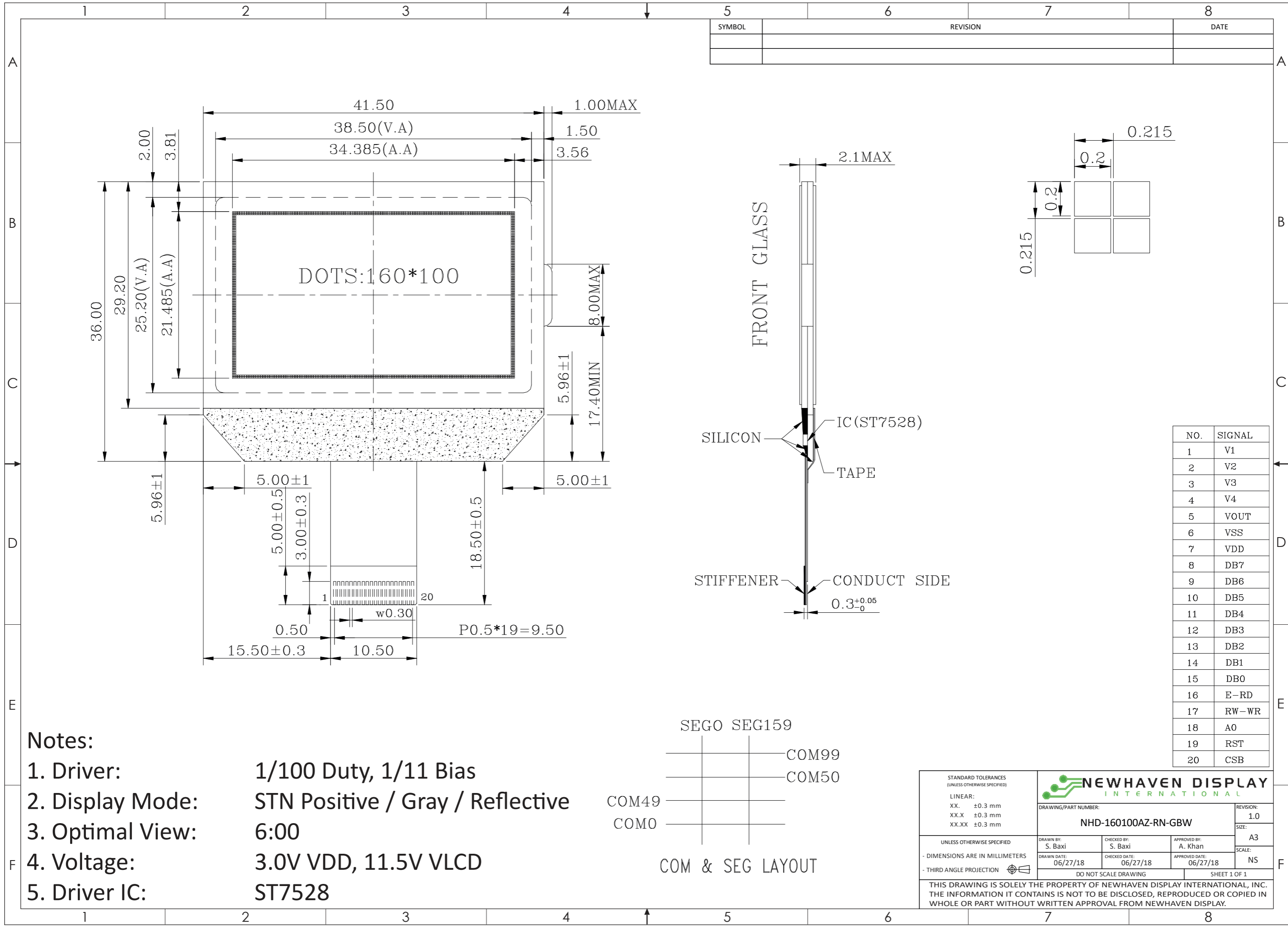
nhsales@newhavendisplay.com

Document Revision History

Revision	Date	Description	Changed by
0	10/31/07	Initial Release	-
1	9/14/09	User guide reformat	BE
2	10/14/09	Updated Electrical Characteristic	MC
3	12/08/09	Updated Block Diagram, Pins 4 and 5, and Timing Characteristics	MC
4	6/27/18	FPC Length, Supply & Logic Voltage Values Updated	SB
5	12/28/18	Fixed Notes on Drawing	SB

Functions and Features

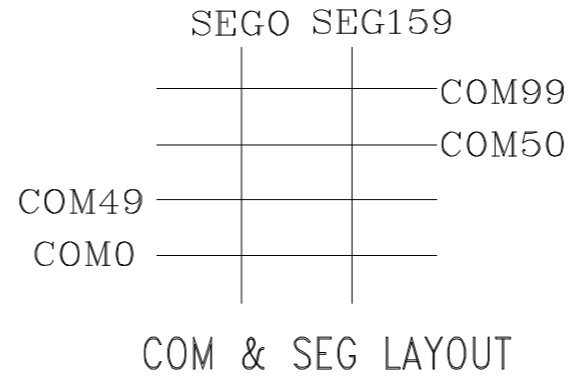
- 160 x 100 pixels
- Built-in ST7528 controller
- +3.0V power supply
- 1/100 duty; 1/11 bias
- RoHS Compliant



SYMBOL	REVISION	DATE

NO.	SIGNAL
1	V1
2	V2
3	V3
4	V4
5	VOUT
6	VSS
7	VDD
8	DB7
9	DB6
10	DB5
11	DB4
12	DB3
13	DB2
14	DB1
15	DB0
16	E-RD
17	RW-WR
18	A0
19	RST
20	CSB

- Notes:**
- 1. Driver: 1/100 Duty, 1/11 Bias
 - 2. Display Mode: STN Positive / Gray / Reflective
 - 3. Optimal View: 6:00
 - 4. Voltage: 3.0V VDD, 11.5V VLCD
 - 5. Driver IC: ST7528



STANDARD TOLERANCES (UNLESS OTHERWISE SPECIFIED)

LINEAR:
 XX. ±0.3 mm
 XX.X ±0.3 mm
 XX.XX ±0.3 mm

UNLESS OTHERWISE SPECIFIED
 - DIMENSIONS ARE IN MILLIMETERS
 - THIRD ANGLE PROJECTION

NEWHAVEN DISPLAY INTERNATIONAL

DRAWING/PART NUMBER: NHD-160100AZ-RN-GBW

REVISION: 1.0
 SIZE: A3
 SCALE: NS

DRAWN BY: S. Baxi
 CHECKED BY: S. Baxi
 APPROVED BY: A. Khan

DRAWN DATE: 06/27/18
 CHECKED DATE: 06/27/18
 APPROVED DATE: 06/27/18

DO NOT SCALE DRAWING SHEET 1 OF 1

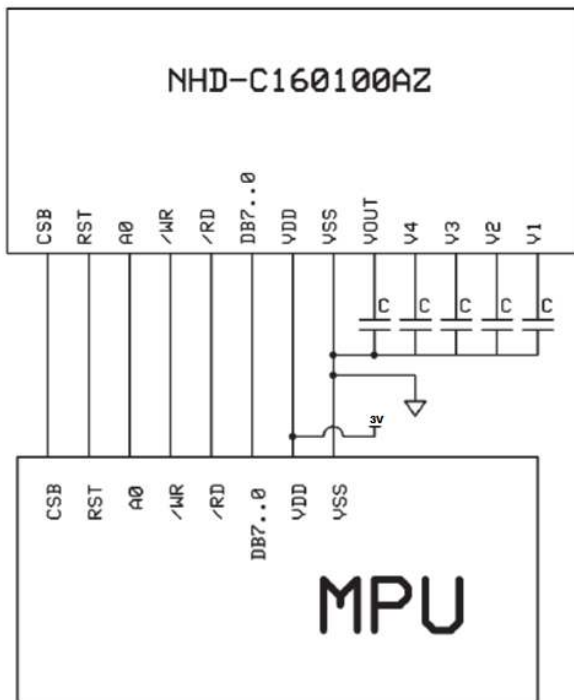
THIS DRAWING IS SOLELY THE PROPERTY OF NEWHAVEN DISPLAY INTERNATIONAL, INC. THE INFORMATION IT CONTAINS IS NOT TO BE DISCLOSED, REPRODUCED OR COPIED IN WHOLE OR PART WITHOUT WRITTEN APPROVAL FROM NEWHAVEN DISPLAY.

Pin Description and Wiring Diagram

Pin No.	Symbol	External Connection	Function Description
1	CSB	MPU	Active LOW Chip Select
2	RST	MPU	Active LOW Reset signal
3	A0	MPU	Register Select Signal. A0=1: Data, A0=0: Command
4	/WR	MPU	Active LOW Write signal
5	/RD	MPU	Active LOW Read signal
6-13	DB0-DB7	MPU	Bi-directional 8-bit Data Bus.
14	V _{DD}	Power Supply	Supply Voltage for LCD and Logic (+3.0V)
15	V _{SS}	Power Supply	Ground
16	V _{OUT}	Power Supply	Connect to 1uF cap to V _{SS} or V _{DD}
17	V ₄	Power Supply	1.0uF-2.2uF cap to V _{SS}
18	V ₃	Power Supply	1.0uF-2.2uF cap to V _{SS}
19	V ₂	Power Supply	1.0uF-2.2uF cap to V _{SS}
20	V ₁	Power Supply	1.0uF-2.2uF cap to V _{SS}

Recommended LCD connector: 0.5mm pitch pins. Molex p/n: 52746-2070

Backlight connector: --- **Mates with:** ---



Electrical Characteristics

Item	Symbol	Condition	Min.	Typ.	Max.	Unit
Operating Temperature Range	T _{OP}	Absolute Max	-10	-	+60	°C
Storage Temperature Range	T _{ST}	Absolute Max	-20	-	+70	°C
Supply Voltage	V _{DD}	-	2.7	3.0	3.3	V
Supply Current	I _{DD}	V _{DD} = 3.0V T _{OP} = 25°C	0.5	1.5	2.5	mA
Supply for LCD (contrast)	V _{LCD}		11.2	11.5	11.8	V
"H" Level input	V _{IH}	-	0.7 * V _{DD}	-	V _{DD}	V
"L" Level input	V _{IL}	-	V _{SS}	-	0.3 * V _{DD}	V
"H" Level output	V _{OH}	-	0.7 * V _{DD}	-	V _{DD}	V
"L" Level output	V _{OL}	-	V _{SS}	-	0.3 * V _{DD}	V

Optical Characteristics

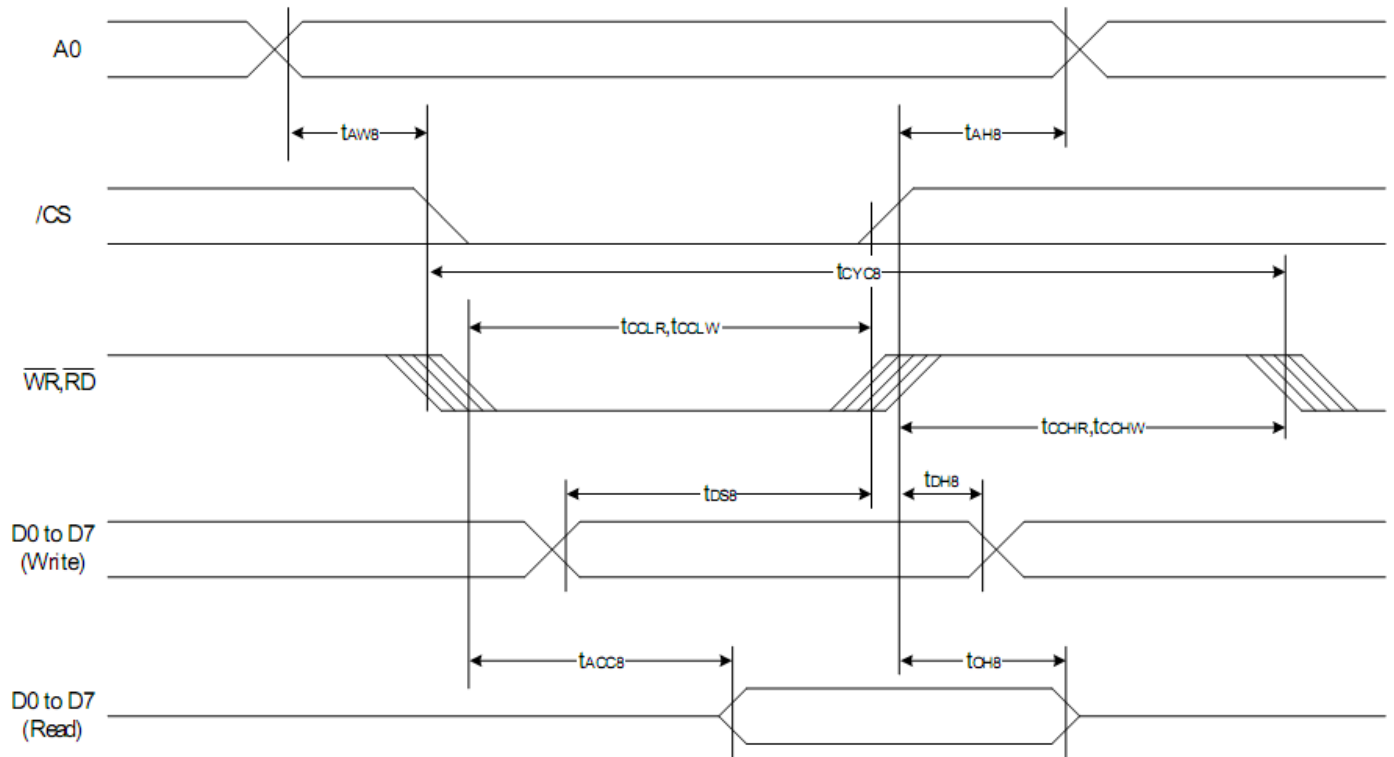
Item	Symbol	Condition	Min.	Typ.	Max.	Unit
Optimal Viewing Angles	Top	CR ≥ 2	-	35	-	°
	Bottom		-	60	-	°
	Left		-	40	-	°
	Right		-	40	-	°
Contrast Ratio	CR	-	2	6	-	-
Response Time	Rise	T _{OP} = 25°C	-	150	250	ms
	Fall		-	150	250	ms

Controller Information

Built-in ST7528 controller.

Please download specification at http://www.newhavendisplay.com/app_notes/ST7528.pdf

Timing Characteristics



(VDD = 3.3V , Ta =25°C)

Item	Signal	Symbol	Condition	Rating		Units
				Min.	Max.	
Address hold time	A0	tAH8		0	—	ns
Address setup time		tAW8		0	—	
System cycle time		tCYC8		240	—	
Enable L pulse width (WRITE)	WR	tCCLW		80	—	
Enable H pulse width (WRITE)		tCCHR		80	—	
Enable L pulse width (READ)	RD	tCCLR		140	—	
Enable H pulse width (READ)		tCCHR		80	—	
WRITE Data setup time	D0 to D7	tDS8		40	—	
WRITE Data hold time		tDH8		10	—	
READ access time		tACC8	CL = 100 pF	—	70	
READ Output disable time		tOH8	CL = 100 pF	5	50	

Table of Commands

Instruction	A0	RW	DB7	DB6	DB5	DB4	DB3	DB2	DB1	DB0	Description
EXT=0 or 1											
Mode Set	0	0	0	0	1	1	1	0	0	0	2-byte instruction to set Mode and FR(Frame frequency control) BE(Booster efficiency control)
	0	0	FR3	FR2	FR1	FR0	0	BE	x'	EXT	
EXT=0											
Read display data	1	1	Read data							Read data into DDRAM	
Write display data	1	0	Write data							Write data into DDRAM	
Read status	0	1	BUSY	ON	RES	MF2	MF1	MF0	DS1	DS0	Read the internal status
ICON control register ON/OFF	0	0	1	0	1	0	0	0	1	ICON	ICON=0: ICON disable(default) ICON=1: ICON enable & set the page address to 16
Set page address	0	0	1	0	1	1	P3	P2	P1	P0	Set page address
Set column address MSB	0	0	0	0	0	1	Y9	Y8	Y7	Y6	Set column address MSB
Set column address LSB	0	0	0	0	0	0	Y5	Y4	Y3	Y2	Set column address LSB
Set modify-read	0	0	1	1	1	0	0	0	0	0	Set modify-read mode
Reset modify-read	0	0	1	1	1	0	1	1	1	0	release modify-read mode
Display ON/OFF	0	0	1	0	1	0	1	1	1	D	D=0: Display OFF D=1: Display ON
Set initial display line register	0	0	0	1	0	0	0	0	x'	x'	2-byte instruction to specify the initial display line to realize vertical scrolling
	0	0	x'	S6	S5	S4	S3	S2	S1	S0	
Set initial COM0 register	0	0	0	1	0	0	0	1	x'	x'	2-byte instruction to specify the initial COM0 to realize window scrolling
	0	0	x'	C6	C5	C4	C3	C2	C1	C0	
Set partial display duty ration	0	0	0	1	0	0	1	0	x'	x'	2-byte instruction to set partial display duty ratio
	0	0	D7	D6	D5	D4	D3	D2	D1	D0	
Set N-line inversion	0	0	0	1	0	0	1	1	x'	x'	2-byte instruction to set N-line inversion register
	0	0	x'	x'	x'	N4	N3	N2	N1	N0	
Release N-line inversion	0	0	1	1	1	0	0	1	0	0	Release N-line inversion mode
Reverse display ON/OFF	0	0	1	0	1	0	0	1	1	REV	REV=0: normal display REV=1: reverse display
Entire display ON/OFF	0	0	1	0	1	0	0	1	0	EON	EON=0: normal display EON=1: entire display ON

Example Initialization Program

```
//-----  
void write_command(unsigned char datum)  
{  
    A0=0; /*Instruction register*/  
    E=1; /*Read inactive*/  
    P1 = datum; /*put data on port 1*/  
    CS1=0; /*Chip select active*/  
    RW=0; /*Write active*/  
    RW=1; /*Write inactive; latch in data*/  
    CS1=1; /*Chip select inactive*/  
}  
  
//-----  
void write_data(unsigned char datum)  
{  
    A0=1; /*DDRAM data register*/  
    E=1;  
    P1=datum;  
    CS1=0;  
    RW=0;  
    RW=1;  
    CS1=1;  
}  
  
//-----  
void lcd_init(void){  
    write_command(0xA2); //ICON OFF;  
    write_command(0xAE); //Display OFF  
  
    write_command(0x48); //Set Duty ratio  
    write_command(0x80); //No operation  
    write_command(0xa1); //Set scan direction //changed from 0 to 1  
    write_command(0xc8); //SHL select  
    write_command(0x40); //Set START LINE  
    write_command(0x00);  
    write_command(0xab); //OSC on  
  
    write_command(0x64); //3x  
    delay(2000);  
    write_command(0x65); //4x  
    delay(2000);  
    write_command(0x66); //5x  
    delay(2000);  
    write_command(0x67); //6x  
    delay(2000);  
  
    write_command(Ra_Rb); //RESISTER SET  
    write_command(0x81); //Set electronic volume register  
    write_command(vopcode); //n=0~3f  
  
    write_command(0x57); //1/12bias  
    write_command(0x92); //FRC and pwm  
  
    write_command(0x2C);  
    delay(20000);//200ms
```



```

write_command(0x2E);
delay(20000);//200ms
write_command(0x2F);
delay(20000);//200ms

write_command(0x92); //frc and pwm
write_command(0x38); //external mode
write_command(0x75);
//start settings for 16-level grayscale
write_command(0x97); //3frc,45pwm

write_command(0x80);
write_command(0x00);
write_command(0x81);
write_command(0x00);
write_command(0x82);
write_command(0x00);
write_command(0x83);
write_command(0x00);

write_command(0x84);
write_command(0x06);
write_command(0x85);
write_command(0x06);
write_command(0x86);
write_command(0x06);
write_command(0x87);
write_command(0x06);

write_command(0x88);
write_command(0x0b);
write_command(0x89);
write_command(0x0b);
write_command(0x8a);
write_command(0x0b);
write_command(0x8b);
write_command(0x0b);

write_command(0x8c);
write_command(0x10);
write_command(0x8d);
write_command(0x10);
write_command(0x8e);
write_command(0x10);
write_command(0x8f);
write_command(0x10);

write_command(0x90);
write_command(0x15);
write_command(0x91);
write_command(0x15);
write_command(0x92);
write_command(0x15);
write_command(0x93);
write_command(0x15);

write_command(0x94);
write_command(0x1a);
write_command(0x95);
write_command(0x1a);
write_command(0x96);
write_command(0x1a);

```

```
write_command(0x97);
write_command(0x1a);

write_command(0x98);
write_command(0x1e);
write_command(0x99);
write_command(0x1e);
write_command(0x9a);
write_command(0x1e);
write_command(0x9b);
write_command(0x1e);

write_command(0x9c);
write_command(0x23);
write_command(0x9d);
write_command(0x23);
write_command(0x9e);
write_command(0x23);
write_command(0x9f);
write_command(0x23);

write_command(0xa0);
write_command(0x27);
write_command(0xa1);
write_command(0x27);
write_command(0xa2);
write_command(0x27);
write_command(0xa3);
write_command(0x27);

write_command(0xa4);
write_command(0x2b);
write_command(0xa5);
write_command(0x2b);
write_command(0xa6);
write_command(0x2b);
write_command(0xa7);
write_command(0x2b);

write_command(0xa8);
write_command(0x2f);
write_command(0xa9);
write_command(0x2f);
write_command(0xaa);
write_command(0x2f);
write_command(0xab);
write_command(0x2f);

write_command(0xac);
write_command(0x32);
write_command(0xad);
write_command(0x32);
write_command(0xae);
write_command(0x32);
write_command(0xaf);
write_command(0x32);

write_command(0xb0);
write_command(0x35);
write_command(0xb1);
write_command(0x35);
write_command(0xb2);
write_command(0x35);
```

```
write_command(0xb3);
write_command(0x35);

write_command(0xb4);
write_command(0x38);
write_command(0xb5);
write_command(0x38);
write_command(0xb6);
write_command(0x38);
write_command(0xb7);
write_command(0x38);

write_command(0xb8);
write_command(0x3a);
write_command(0xb9);
write_command(0x3a);
write_command(0xba);
write_command(0x3a);
write_command(0xbb);
write_command(0x3a);

write_command(0xbc);
write_command(0x3c);
write_command(0xbd);
write_command(0x3c);
write_command(0xbe);
write_command(0x3c);
write_command(0xbf);
write_command(0x3c);
    //end settings for 16-level grayscale
write_command(0x38);
write_command(0x74);
write_command(0xaf); //Display ON
}

//-----
```

Quality Information

Test Item	Content of Test	Test Condition	Note
High Temperature storage	Endurance test applying the high storage temperature for a long time.	+70°C , 48hrs	2
Low Temperature storage	Endurance test applying the low storage temperature for a long time.	-20°C , 48hrs	1,2
High Temperature Operation	Endurance test applying the electric stress (voltage & current) and the high thermal stress for a long time.	+60°C 48hrs	2
Low Temperature Operation	Endurance test applying the electric stress (voltage & current) and the low thermal stress for a long time.	-10°C , 48hrs	1,2
High Temperature / Humidity Operation	Endurance test applying the electric stress (voltage & current) and the high thermal with high humidity stress for a long time.	+40°C , 90% RH , 48hrs	1,2
Thermal Shock resistance	Endurance test applying the electric stress (voltage & current) during a cycle of low and high thermal stress.	-0°C,30min -> 25°C,5min -> 50°C,30min = 1 cycle 10 cycles	
Vibration test	Endurance test applying vibration to simulate transportation and use.	10-55Hz, 15mm amplitude. 60 sec in each of 3 directions X,Y,Z For 15 minutes	3
Static electricity test	Endurance test applying electric static discharge.	VS=800V, RS=1.5kΩ, CS=100pF One time	

Note 1: No condensation to be observed.

Note 2: Conducted after 4 hours of storage at 25°C, 0%RH.

Note 3: Test performed on product itself, not inside a container.

Precautions for using LCDs/LCMs

See Precautions at www.newhavendisplay.com/specs/precautions.pdf

Warranty Information and Terms & Conditions

http://www.newhavendisplay.com/index.php?main_page=terms