

Copyright FCI.
FCI

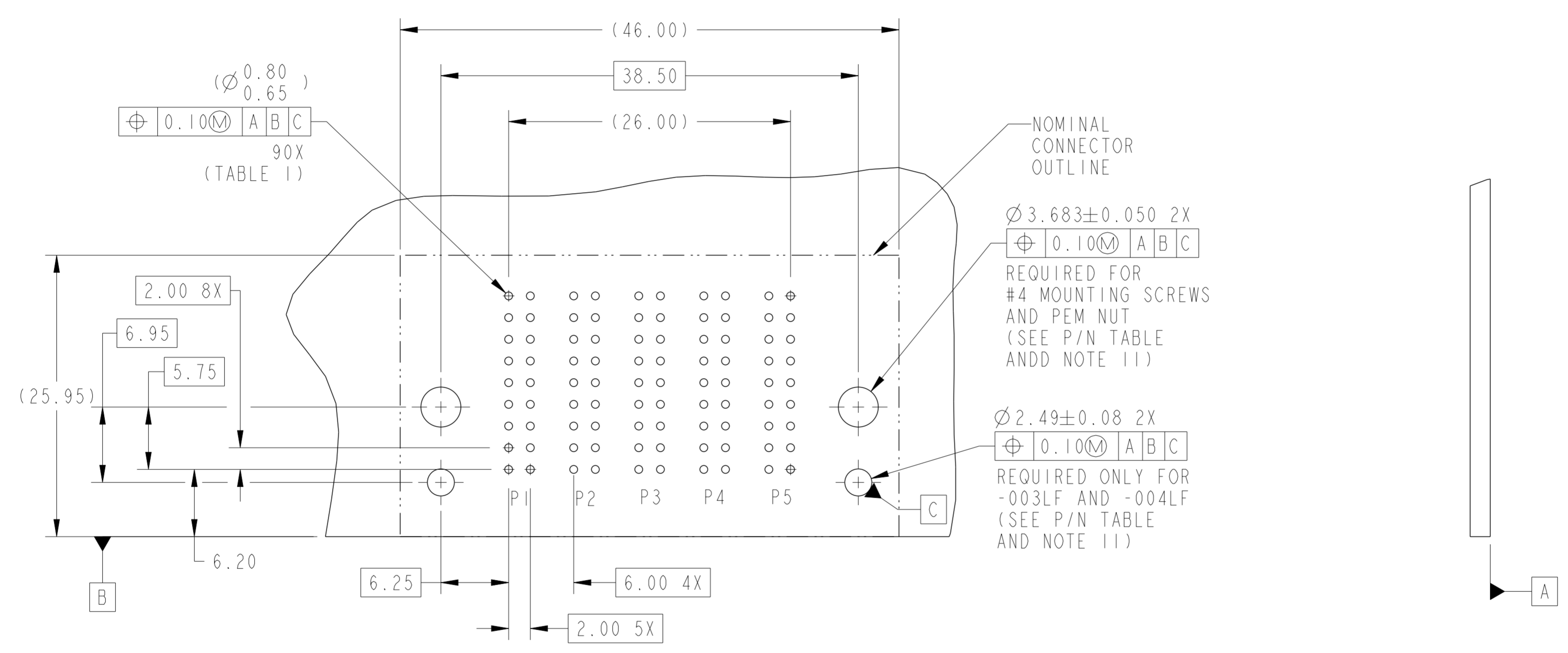
spec ref	*	dr	DuWa	2010/04/28	projection	MM	size	A2	scale	3.000									
tolerance std	TOLERANCES UNLESS OTHERWISE SPECIFIED	eng	Helen Zhang	2012/07/23			ecn no	-	rel level	Released									
surface	<table border="1"> <tr> <td>linear</td> <td>0.X</td> <td>±0.5</td> </tr> <tr> <td></td> <td>0.XX</td> <td>±0.25</td> </tr> <tr> <td></td> <td>0.XXX</td> <td>±0.10</td> </tr> <tr> <td>angular</td> <td>0°</td> <td>±2°</td> </tr> </table>	linear	0.X	±0.5				0.XX		±0.25		0.XXX	±0.10	angular	0°	±2°	chr	-	product family
linear	0.X	±0.5																	
	0.XX	±0.25																	
	0.XXX	±0.10																	
angular	0°	±2°																	
appr	Pei-Ming Zheng	2012/07/23			title	R/A HEADER ASSY 5DC		dwg no	10094929	rev	A								
		www.fci.com		cat. no.	-		Product - Customer Drw		sheet 1 of 3										

PDS: Rev :A

STATUS:Released

Printed: Jul 23, 2012

TO LAYER DESCRIPTION	TABLE 1 (HCI POWER) PLATED THROUGH-HOLE REQUIREMENTS							
	DRILLED HOLE DIAMETER	COPPER THICKNESS	TIN-LEAD THICKNESS	NICKEL THICKNESS	GOLD THICKNESS	TIN THICKNESS	SILVER THICKNESS	FINISHED HOLE DIAMETER
TIN-LEAD	0.81-0.86 (0.85 DRILL)	0.025 - 0.050	0.005 - 0.015	- -	- -	- -	- -	0.65 - 0.80
IMMERSION TIN	0.81-0.86 (0.85 DRILL)	0.025 - 0.050	- -	- -	- -	0.9 - 1.5um	- -	0.70 - 0.80
IMMERSION SILVER	0.81-0.86 (0.85 DRILL)	0.025 - 0.050	- -	- -	- -	- -	0.15 - 0.65um	0.70 - 0.80
COPPER (SEE NOTE 9)	0.81-0.86 (0.85 DRILL)	0.025 - 0.050	- -	- -	- -	- -	- -	0.70 - 0.80
GOLD	0.81-0.86 (0.85 DRILL)	0.025 - 0.050	- -	0.003 - 0.007	FLASH UP TO 0.0002	- -	- -	0.69 - 0.80

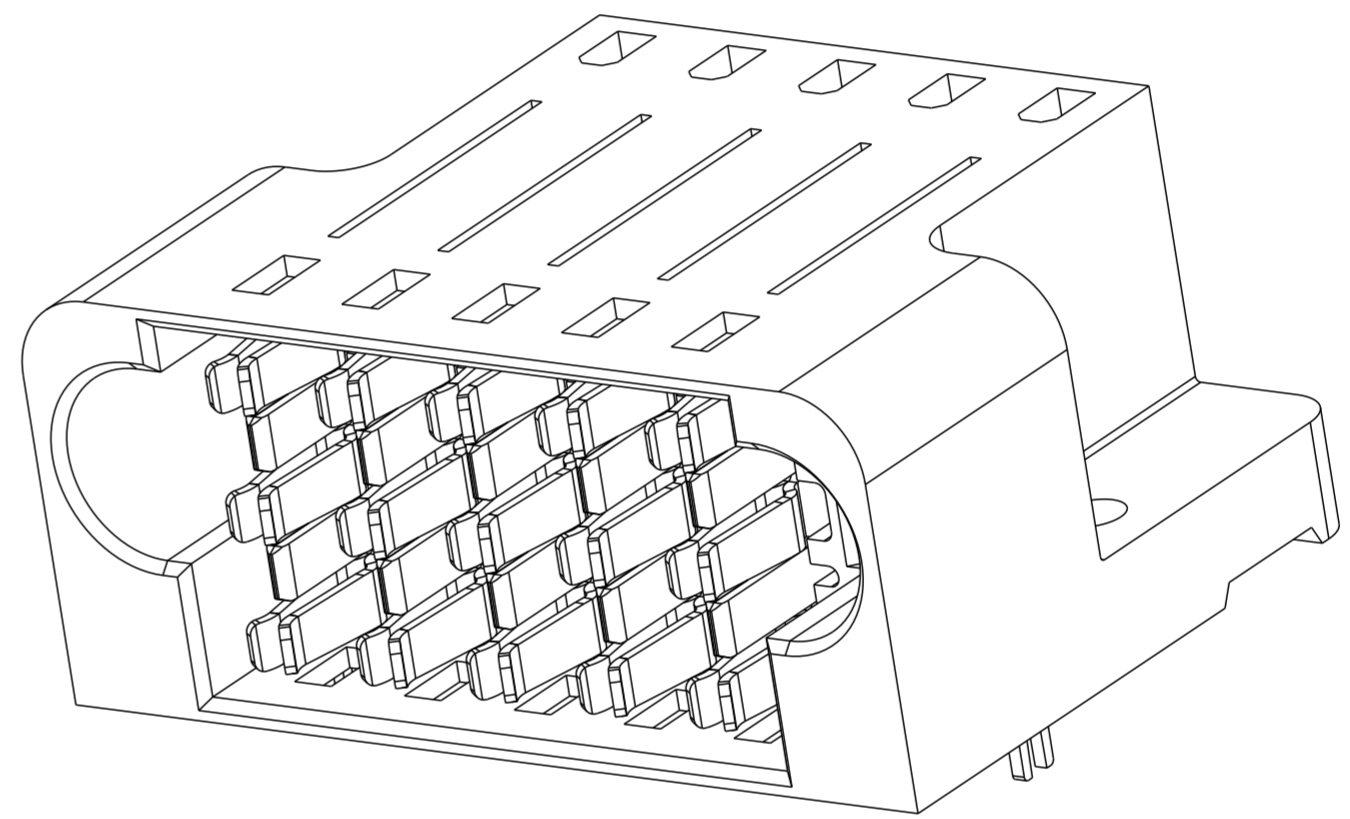


RECOMMENDED PCB LAYOUT
COMPONENT SIDE (NOTE 6)

spec ref	*	dr	DuWa	2010/04/28	projection	MM	size	A2	scale	1.000												
tolerance std	TOLERANCES UNLESS OTHERWISE SPECIFIED	eng	Helen Zhang	2012/07/23	chr	-	ecn no	-	rel level	Released												
surface	<table border="1"> <tr> <td>linear</td> <td>0.X</td> <td>±0.5</td> </tr> <tr> <td></td> <td>0.XX</td> <td>±0.25</td> </tr> <tr> <td></td> <td>0.XXX</td> <td>±0.10</td> </tr> <tr> <td>angular</td> <td>0°</td> <td>±2°</td> </tr> </table>	linear	0.X	±0.5		0.XX	±0.25		0.XXX	±0.10	angular	0°	±2°	appr	Pai-Ming Zheng	2012/07/23	product family	HCI	cat. no.	-	Product - Customer Drw	sheet 2 of 3
linear	0.X	±0.5																				
	0.XX	±0.25																				
	0.XXX	±0.10																				
angular	0°	±2°																				
				R/A HEADER ASSY 5DC HCI POWER CONNECTOR		dwg no 10094929		rev A														

Copyright FCI. FCI

PART NUMBER	RETENTION CLIPS	#4 SCREW	DIM A (TAIL LENGTH)	TAIL TYPE
10094929-001LF	NO	YES	3.43	SOLDER TAIL
10094929-002LF	NO	YES	4.70	SOLDER TAIL
10094929-003LF	YES	NO	3.43	SOLDER TAIL
10094929-004LF	YES	NO	4.70	SOLDER TAIL



NOTES:

- CONNECTOR MATERIALS:
HOUSING: HIGH TEMPERATURE THERMOPLASTIC, BLACK
UL 94V-0 COMPLIANT
CONTACTS: HIGH PERFORMANCE COPPER ALLOY
- CONTACT FINISH (ref GS-12-380 SECTION 5.2)
- PRODUCT SPECIFICATION: GS-12-380.
- APPLICATION SPECIFICATION: GS-20-070.
- PRODUCT MARKING (PRODUCT NUMBER & DATE CODE) ON HOUSING IN AREA SHOWN.
- MINIMUM NOMINAL PCB THICKNESS: 1.6mm
- PACKAGING MEETS FCI SPECIFICATION GS-14-1073.
- HOUSING COMPONENT WILL WITHSTAND EXPOSURE TO 260°C
PEAK TEMPERATURE FOR 60 SECONDS IN A CONVECTION, INFRA-RED,
OR VAPOR PHASE REFLOW OVEN.
- COPPER PLATING THICKNESS IN CENTER OF VIA-HOLE CAN BE
NO MORE THAN 0.003 LESS THAN OTHER AREAS.
- ALL HOLE SIZES ARE FINISHED HOLE SIZES.
- MOUNTING HOLES ARE UNPLATED.

spec ref	*	dr	DuWa	2010/04/28	projection	MM	size	A2	scale	1.000														
tolerance std	TOLERANCES UNLESS OTHERWISE SPECIFIED	eng	Helen Zhang	2012/07/23			ecn no	-	rel level		Released													
surface	<table border="1"> <tr> <td>linear</td> <td>0.X</td> <td>±0.5</td> </tr> <tr> <td></td> <td>0.XX</td> <td>±0.25</td> </tr> <tr> <td></td> <td>0.XXX</td> <td>±0.10</td> </tr> <tr> <td>angular</td> <td>0°</td> <td>±2°</td> </tr> </table>	linear	0.X	±0.5				0.XX	±0.25		0.XXX	±0.10	angular	0°	±2°	chr	-	product family	HCI	rel level	Released	<table border="1"> <tr> <td>cat. no.</td> <td>-</td> <td>Product - Customer Drw</td> <td>sheet 3 of 3</td> </tr> </table>	cat. no.	-
linear	0.X	±0.5																						
	0.XX	±0.25																						
	0.XXX	±0.10																						
angular	0°	±2°																						
cat. no.	-	Product - Customer Drw	sheet 3 of 3																					
apppr	Pai-Ming Zheng	2012/07/23			<table border="1"> <tr> <td>title</td> <td>R/A HEADER ASSY 5DC</td> <td>dwg no</td> <td>10094929</td> <td>rev</td> <td>A</td> </tr> <tr> <td>www.fci.com</td> <td></td> <td></td> <td></td> <td></td> <td></td> </tr> </table>	title	R/A HEADER ASSY 5DC	dwg no	10094929	rev	A	www.fci.com												
title	R/A HEADER ASSY 5DC	dwg no	10094929	rev	A																			
www.fci.com																								