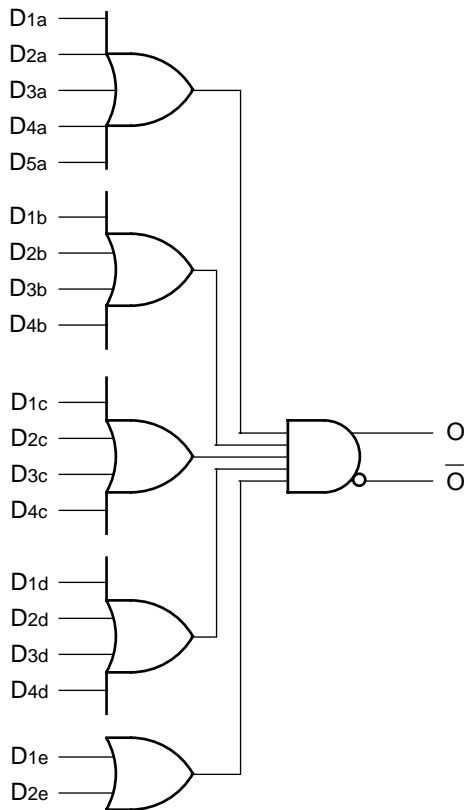
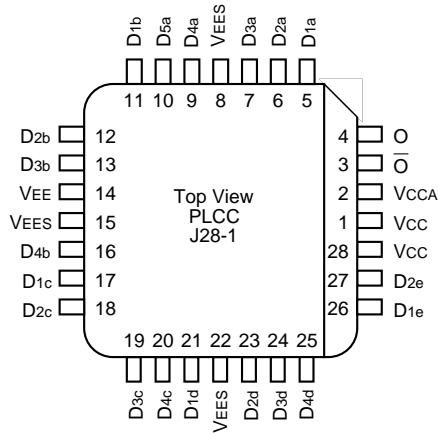


- Max. propagation delay of 800ps
- IEE min. of -55mA
- Extended supply voltage option:  
VEE = -4.2V to -5.5V
- Voltage and temperature compensation for improved noise immunity
- Internal 75kΩ input pull-down resistors
- 70% faster than Fairchild
- 40% lower power than Fairchild
- Function and pinout compatible with Fairchild F100K
- Available in 28-pin PLCC package

The SY100S318 is an ultra-fast 5-wide 5, 4, 4, 4, 2 OR/AND gate with both true and complementary outputs, designed for use in high-performance ECL systems. The inputs on this device have 75kΩ pull-down resistors.



Pin	Function
D <sub>na</sub> – D <sub>ne</sub>	Data Inputs (n = 1...5)
O – $\bar{O}$	Data Outputs
VEES	VEE Substrate
VCCA	VCCO for ECL Outputs



**28-Pin PLCC (J28-1)**

### Ordering Information

Part Number	Package Type	Operating Range	Package Marking	Lead Finish
SY100S318JC	J28-1	Commercial	SY100S318JC	Sn-Pb
SY100S318JCTR <sup>(1)</sup>	J28-1	Commercial	SY100S318JC	Sn-Pb
SY100S318JZ <sup>(2)</sup>	J28-1	Commercial	SY100S318JZ with Pb-Free bar-line indicator	Matte-Sn
SY100S318JZTR <sup>(1, 2)</sup>	J28-1	Commercial	SY100S318JZ with Pb-Free bar-line indicator	Matte-Sn

**Notes:**

1. Tape and Reel.
2. Pb-Free package is recommended for new designs.

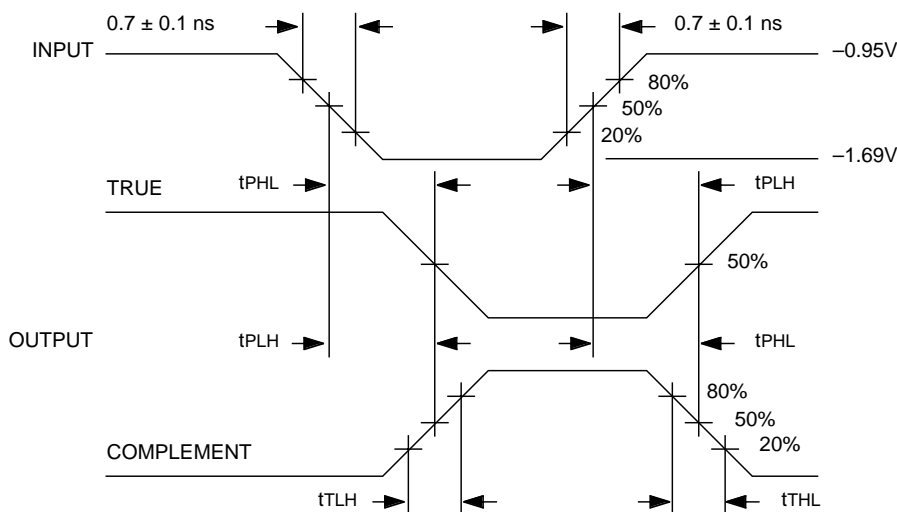
$$O = (D1a + D2a + D3a + D4a + D5a) \\ (D1b + D2b + D3b + D4b) \\ (D1c + D2c + D3c + D4c) \\ (D1d + D2d + D3d + D4d) \\ (D1e + D2e)$$

$V_{EE} = -4.2V$  to  $-5.5V$  unless otherwise specified,  $V_{CC} = V_{CCA} = GND$

Symbol	Parameter	Min.	Typ.	Max.	Unit	Condition
I <sub>IH</sub>	Input HIGH Current, All Inputs	—	—	200	μA	V <sub>IN</sub> = V <sub>IH</sub> (Max.)
I <sub>EE</sub>	Power Supply Current	-55	-41	-25	mA	Inputs Open

$V_{EE} = -4.2V$  to  $-5.5V$  unless otherwise specified,  $V_{CC} = V_{CCA} = GND$

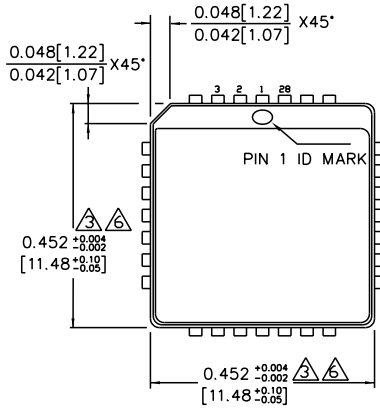
Symbol	Parameter	T <sub>A</sub> = 0°C		T <sub>A</sub> = +25°C		T <sub>A</sub> = +85°C		Unit	Condition
		Min.	Max.	Min.	Max.	Min.	Max.		
t <sub>PLH</sub> t <sub>PHL</sub>	Propagation Delay Data to Output	300	800	300	800	300	800	ps	
t <sub>TLH</sub> t <sub>THL</sub>	Transition Time 20% to 80%, 80% to 20%	200	900	200	900	200	900	ps	



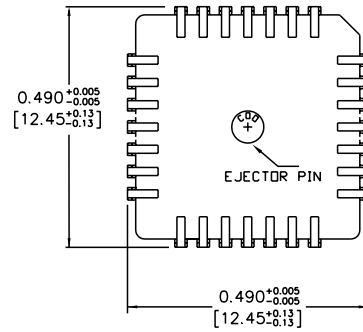
Propagation Delay and Transition Times

**Note:**

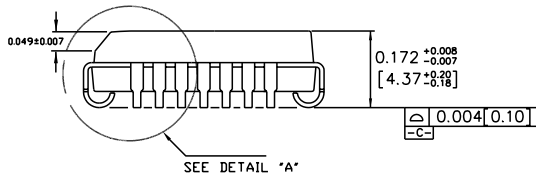
$V_{EE} = -4.2V$  to  $-5.5V$  unless otherwise specified,  $V_{CC} = V_{CCA} = GND$



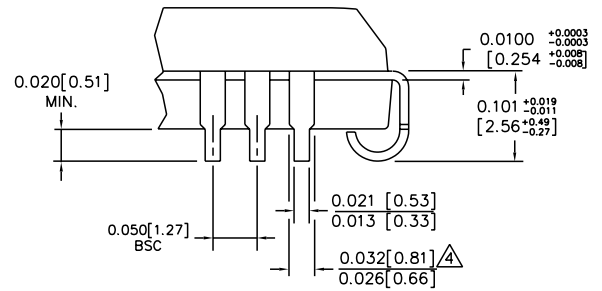
TOP VIEW



BOTTOM VIEW



SIDE VIEW



DETAIL "A"

NOTES:

1. DIMENSIONS ARE IN INCHES [MM].
2. CONTROLLING DIMENSION: INCHES.
3. DIMENSION DOES NOT INCLUDE MOLD FLASH OR PROTRUSIONS, EITHER OF WHICH SHALL NOT EXCEED 0.008 [0.203].
4. LEAD DIMENSION DOES NOT INCLUDE DAMBAR PROTRUSION.
5. MAXIMUM AND MINIMUM SPECIFICATIONS ARE INDICATED AS FOLLOWS: MAX/MIN
6. PACKAGE TOP DIMENSION MAY BE SLIGHTLY SMALLER THAN BOTTOM DIMENSION.

Rev. A

**MICREL, INC. 2180 FORTUNE DRIVE SAN JOSE, CA 95131 USA**

TEL + 1 (408) 944-0800 FAX + 1 (408) 474-1000 WEB <http://www.micrel.com>

The information furnished by Micrel in this data sheet is believed to be accurate and reliable. However, no responsibility is assumed by Micrel for its use. Micrel reserves the right to change circuitry and specifications at any time without notification to the customer.

Micrel Products are not designed or authorized for use as components in life support appliances, devices or systems where malfunction of a product can reasonably be expected to result in personal injury. Life support devices or systems are devices or systems that (a) are intended for surgical implant into the body or (b) support or sustain life, and whose failure to perform can be reasonably expected to result in a significant injury to the user. A Purchaser's use or sale of Micrel Products for use in life support appliances, devices or systems is at Purchaser's own risk and Purchaser agrees to fully indemnify Micrel for any damages resulting from such use or sale.

© 2006 Micrel, Incorporated.