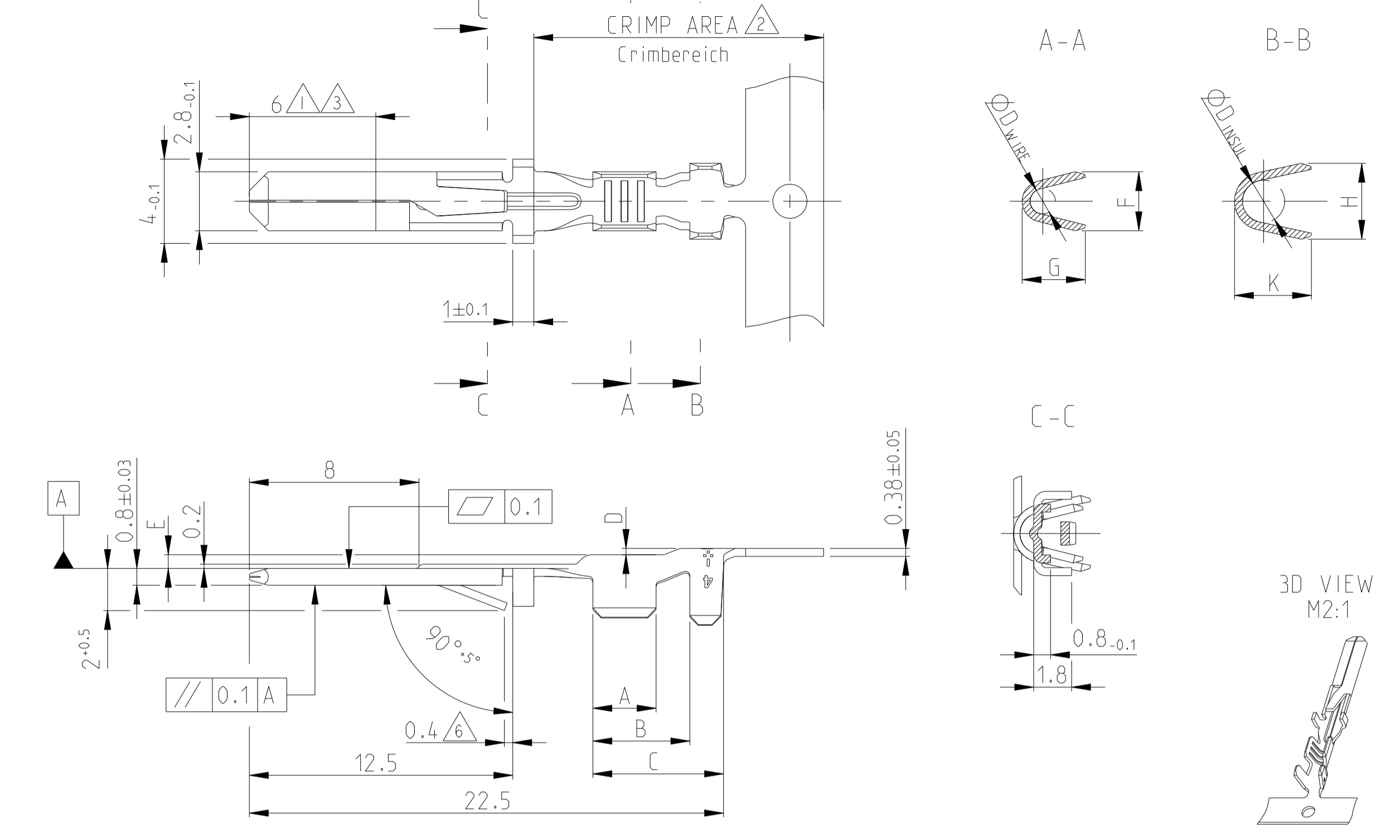
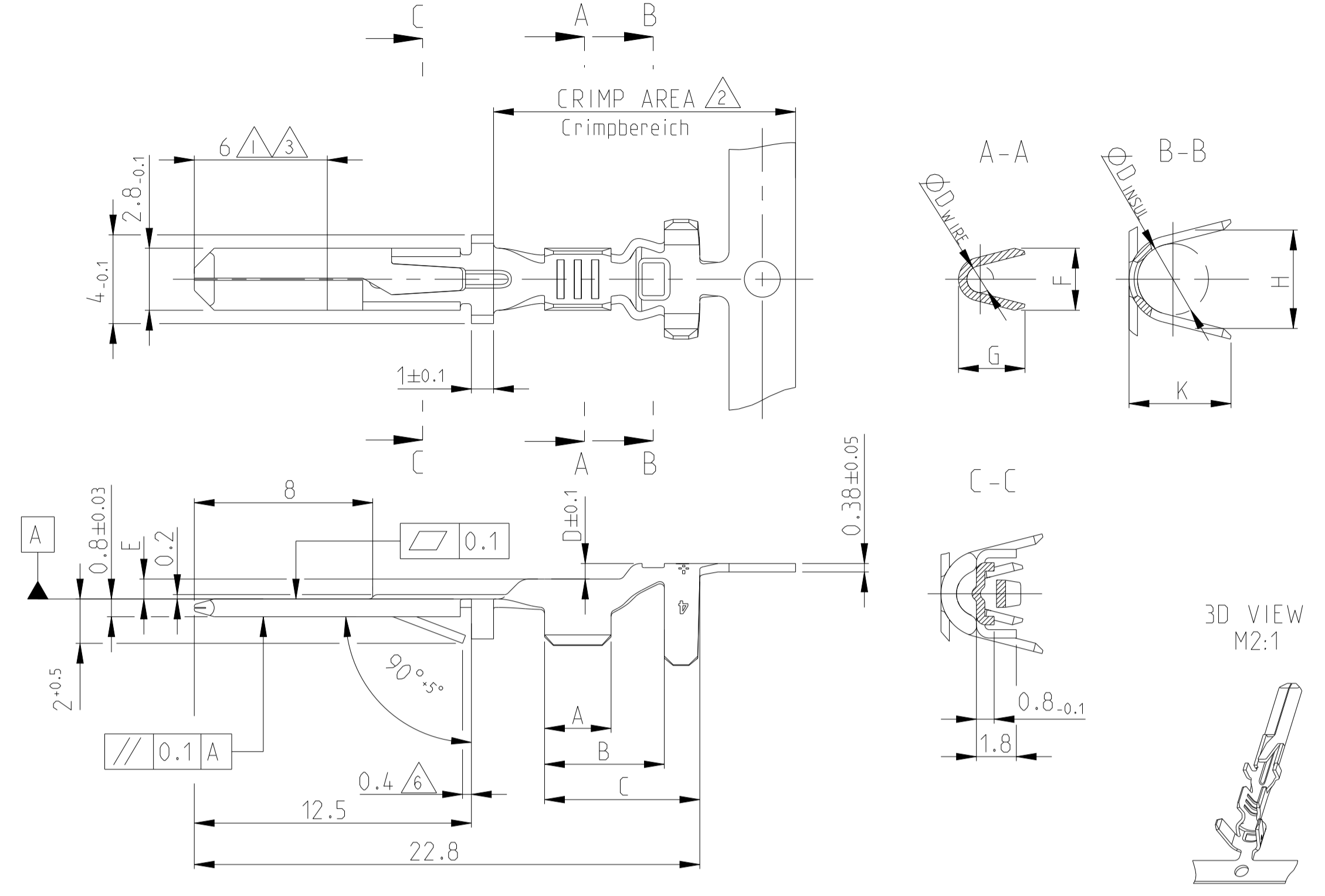


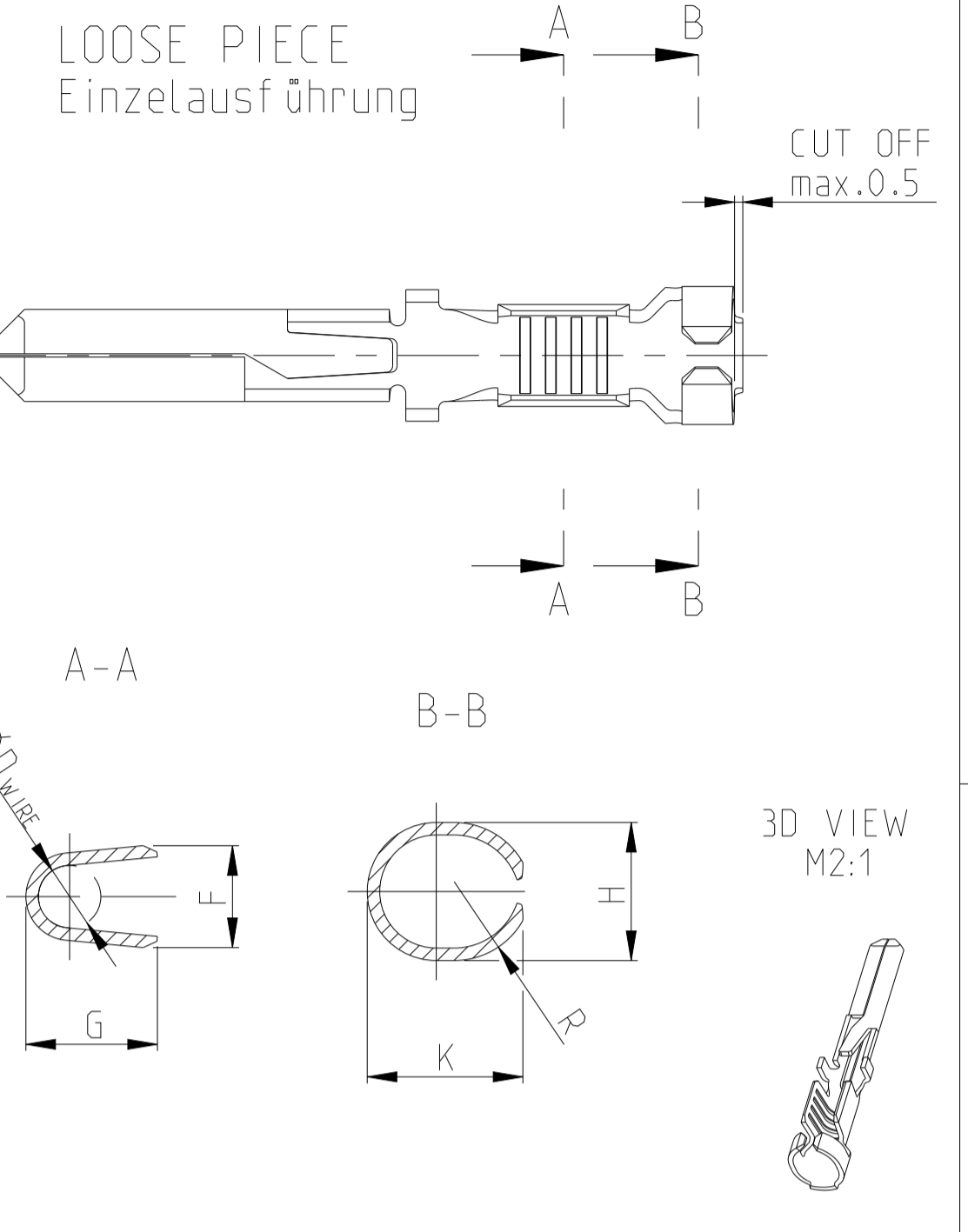
STRIP FORM - UNSEALED
Bandware - ungedichtet



STRIP FORM - SINGLE WIRE SEAL
Bandware - Einzel-Dichtung System



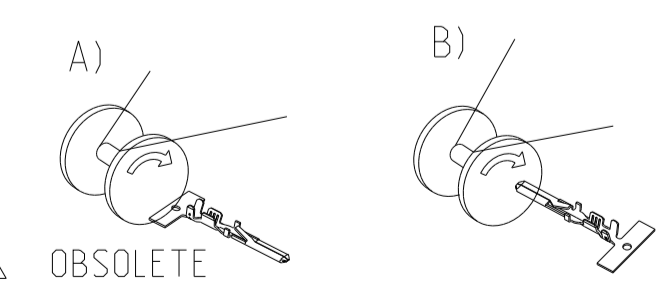
| REVISIONS | | | | |
|-----------|-----|---------------------------|-----------|----------|
| P | LTN | DESCRIPTION | DATE | OWN APVD |
| A6 | | REVISED PER ECR-20-008867 | 08JUL2020 | BH E.W |
| A7 | | REVISED PER ECR-20-013815 | 22OCT2020 | MK E.W |
| AB | | REVISED PER ECR-21-100862 | 11MAR2021 | SS EW |



| HAND TOOL Handzange | APPLICATOR Anschlag-WKZ | K | H | R | G | F | D _{WIRE} | K | H | D _{INSUL} | G | F | D _{WIRE} | E | D | C | B | A | REELING | INSULATION RANGE Isolations- durchmesser | WIRE RANGE DGB [mm] | FINISH Oberfl äche | MATERIAL | TYCO ORDER No. LOOSE PIECE Einzelauflösung | REV | TYCO ORDER No. STRIP FORM Bandware | SINGLE WIRE SEAL/ Einzel-Dichtung | |
|---|----------------------------|-----|-----|-------|-----|-----|-------------------|------|-----|--------------------|-----|-----|-------------------|------|------|-----|-----|-----|---------|--|---------------------------|-----------------------|----------|--|-----|--|--|-----------------------------|
| | | | | | | | | | | | | | | | | | | | | | | | | | | | INSULATION BARREL Isolationsbereich | WIRE BARREL Drahtbereich |
| N/A | N/A | 4.3 | 4.8 | 2.8 | 4.0 | 3.1 | 1.7 | 4.6 | 5.6 | 3.6 | 4.0 | 3.8 | 1.7 | 0.85 | 0.95 | 7.5 | 5.9 | 3.5 | B | Ø3.4 | 1.0 - 2.5 FLR | PRETINNED min.1µm | CuSn4 | 8 0-965975-5 | J | 8 0-929949-5 | | |
| N/A | N/A | 4.3 | 4.8 | 2.8 | 3.0 | 2.2 | 1.2 | 4.6 | 5.4 | 3.2 | 3.0 | 2.8 | 1.2 | 0.9 | 0.7 | 7.0 | 5.4 | 3.0 | B | Ø3.4 | 0.5 - 1.0 FLR | SEL. GOLD PLATED | CuSn4 | 8 0-965974-7 | A | 8 0-929948-7 | | |
| 2-1579001-1 WITH DIE SET: mit Matrize: 1579001-2 | N/A | 2.5 | 2.5 | 1.4 | 2.2 | 2.0 | 0.8 | 2.8 | 2.8 | 1.4 | 2.2 | 2.2 | 0.8 | 0.65 | 0.2 | 5.7 | 4.1 | 2.5 | B | Ø1.15 - 1.6 | 0.2 - 0.5 FLR | PRETINNED min.1µm | CuSn4 | 8 0-963962-5 | D | 8 0-963961-5 | | |
| 539635-1 WITH DIE SET: mit Matrize: 539743-2 | 878416-0 | 3.7 | 3.1 | (1.8) | 3.0 | 2.2 | 1.2 | 4.1 | 3.9 | 1.8 | 3.0 | 2.8 | 1.2 | 0.65 | 0.2 | 6.2 | 4.6 | 3.0 | B | Ø1.4 - 2.3 | 0.5 - 1.0 FLR | SEL. GOLD PLATED | CuZn30 | 8 0-928931-4 | P | 0-928930-4 | | |
| 169400 WITH DIE SET: mit Matrize: 734262 - 0 | 878402-0 | 4.4 | 3.8 | 2.3 | 4.0 | 3.1 | 1.8 | 4.9 | 4.7 | 2.6 | 4.0 | 3.8 | 1.8 | 1.15 | 0.3 | 7.2 | 5.6 | 4.0 | B | Ø1.8 - 2.9 | 1.0 - 2.5 FLR | PRETINNED min.1µm | CuSn4 | 0-928794-5 | R | 0-928781-5 | | |
| N/A | 878227-0 | 4.8 | 4.2 | 2.4 | 4.0 | 3.1 | 1.9 | 5.3 | 4.8 | 3.1 | 4.0 | 3.8 | 1.9 | 1.15 | 0.4 | 7.2 | 5.6 | 4.0 | B | Ø2.3 - 3.5 RB-Leitung | 1.5 - 3 FLR | SEL. SILVER PLATED | CuSn4 | 8 0-928924-4 | R | 8 0-927893-4 | | |
| N/A | N/A | 3.3 | 3.1 | (1.8) | 3.0 | 2.2 | 1.2 | 3.65 | 3.6 | 2.0 | 3.0 | 2.8 | 1.2 | 0.65 | 0.3 | 6.2 | 4.6 | 3.0 | B | Ø1.6 - 2.2 RB-Leitung | 0.5 - 1.0 FLR | PRETINNED min.1µm | CuSn4 | 0-928923-5 | S | 0-927892-5 | | |
| | | | | | | | | | | | | | | | | | | | | | | | | | | | | |

NOTES:
Bemerkungen

- 1 CONTACT AREA min.0.75 µm Au OVER min.1.25 µm Ni
Kontaktbereich min.0.75 µm Au über min.1.25 µm Ni
- 2 CRIMP AREA 1-2 µm Sn OVER min.0.05 µm Ni
Crimpbereich 1-2 µm Sn über min.0.05 µm Ni
- 3 Min.3 µm Ag IN LOCALIZED AREA. FLASH Ag ON REMAINDER,
BOTH OVER min.1.25 µm Ni
Min.3 µm Ag im lokalisierte Bereich, Rest flashversilbert, beide über min.1.25 µm Ni
- 4 ALL VERSIONS SPLICE FREE EXCEPT OF 5
Alle Versionen Splice-free außer 5
- 5 SPLICE ACCORDING TO TYCO-SPEC. 118-10107 SPLICE ADDITIONAL MARK
WITH RED SPLICE-STICKER ON THE INTERLEAVING PAPER AND ON THE REEL
Splice nach Tyco-Spec. 118-10107 zusätzlich Splice mit rotem Splice-Aufkleber
auf dem Zwischenlagenpapier und auf dem Reel kennzeichnen
- 6 TO BE MEASURED BY DIMENSION 2 mm
Bei Ausstellung 2 mm
- 7 REELING TYPE
- 8 OBSOLETE
- 9 NUMBER OF SERRATIONS: 4 10 NUMBER OF SERRATIONS: 2



| | | | | |
|---|--|---|-----------|---|
| THIS DRAWING IS A CONTROLLED DOCUMENT. | | OWN T. Konecny | 21AUG2006 | TE Connectivity |
| DIMENSIONS: mm | | CHK P.Hasek | 60CT2006 | |
| TOLERANCES UNLESS OTHERWISE SPECIFIED: ISO 2768-H E | | APVD P.Vlcek | 90CT2006 | NAME PRODUCT SPEC 108-18299 APPLICATION SPEC 116-18014 WEIGHT - CUSTOMER DRAWING |
| MATERIAL see table siehe Tabelle | | SIZE CAGE CODE DRAWING NO 00779 ©=1670467 | | |
| RESTRICTED TO | | SCALE 5:1 | | SHEET 1 OF 1 REV A8 |