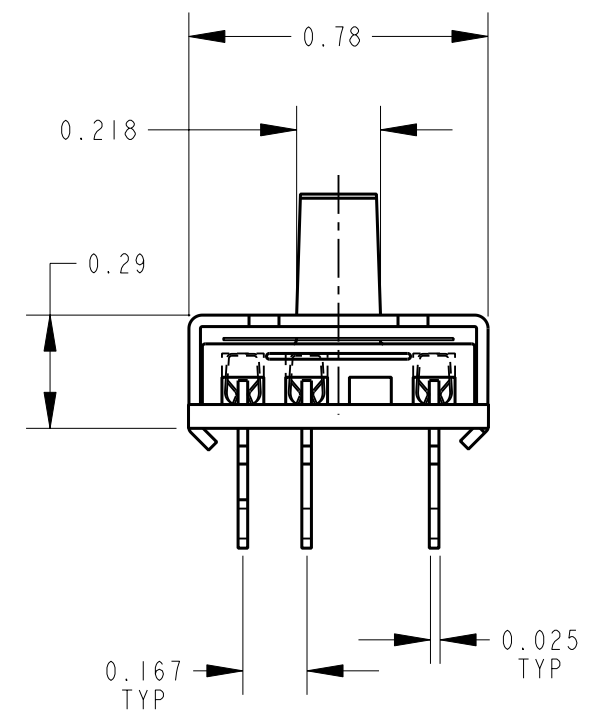
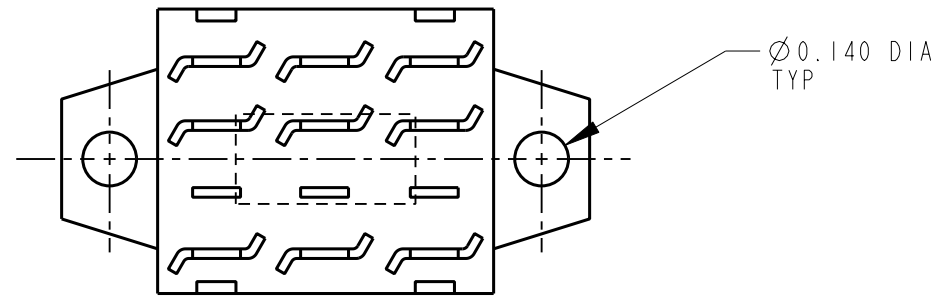
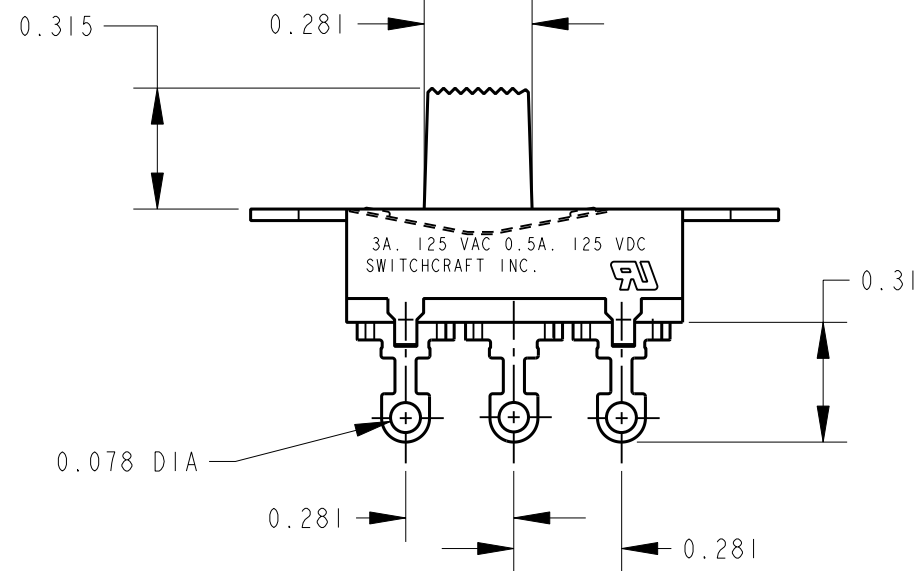
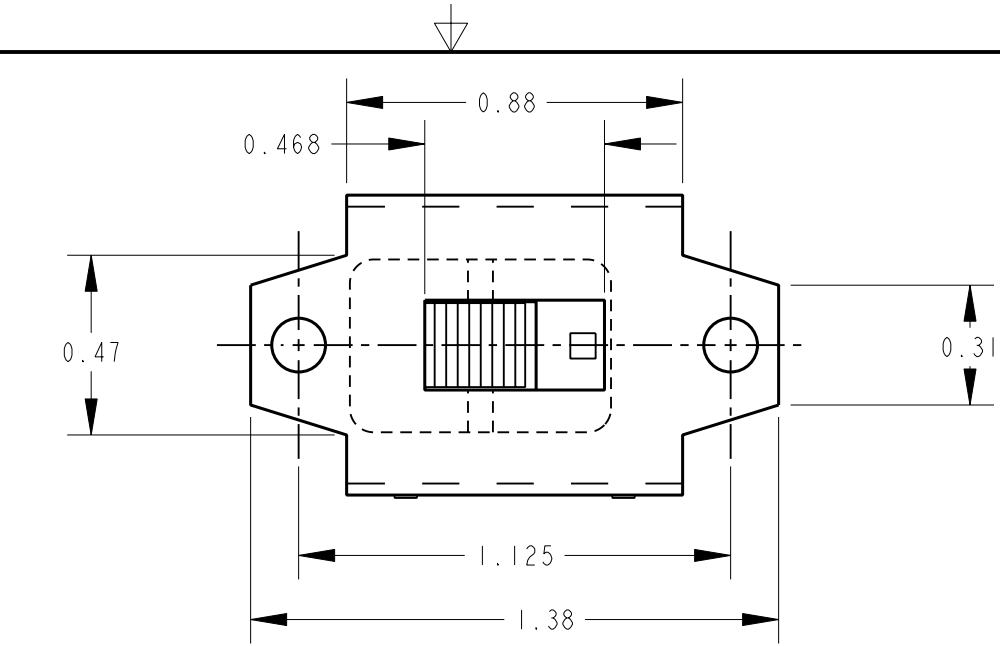


SCHEMATIC
3 POLE DOUBLE THROW



NOTE:

1. ALL DIMENSIONS ARE FOR REFERENCE UNLESS OTHERWISE SPECIFIED.
2. MATERIALS:
HOUSING - STEEL, ZINC PLATED
DETENT SHIM - NICKEL SILVER
KNOB - THERMOPLASTIC, BLACK
TERMINALS - BRASS, SILVER PLATED
TERMINAL BOARD - PHENOLIC
3. THIS PRODUCT IS RoHS COMPLIANT.

CUSTOMER DRAWING

REV	ECO NUMBER	DATE	BY	APVD
A	26044	6-24-06	JEB	TJK
REVISIONS				

★ STAR SYMBOL DENOTES CRITICAL DIMENSION

UNLESS OTHERWISE SPECIFIED

1. ALL DIMENSIONS IN INCHES
- TWO PLACE DECIMALS ±0.01
- THREE PLACE DECIMALS ±0.005
- ANGLES ±1°
- ALL DIA. CONCENTRIC WITHIN 0.005 T.I.R.
2. FEATURES ON THE SAME CENTERLINE MUST BE ALIGNED WITHIN ±0.002
3. REMOVE ALL BURRS

DO NOT SCALE DRAWING

THIS DRAWING DESCRIBES A DESIGN CONSIDERED PROPRIETARY IN NATURE, DEVELOPED AND MANUFACTURED BY SWITCHCRAFT INC. AND IS RELEASED ON A CONFIDENTIAL BASIS FOR IDENTIFICATION PURPOSES ONLY.									
SIZE		WIDTH		MULT		LBS/M		TEMPER	
FINISH					MATERIAL				
SPEC No.					SPEC No.				
FIRST USED ON				SCALE					
				1 = 0.5					
DATE DRAWN	BY	CHKD	APVD	Switchcraft [®]					
22-Aug-08	JEB	JEB	TJK						
NAME				PART No.		REV			
3 P.D.T. SLIDE SWITCH, RoHS				50209LX		A			