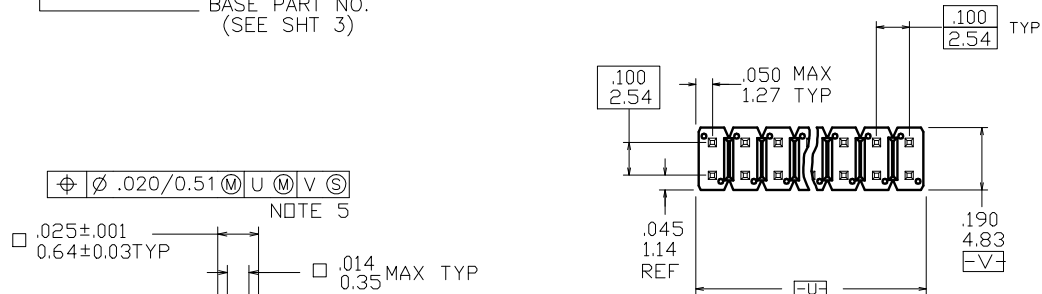
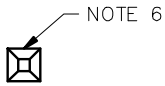
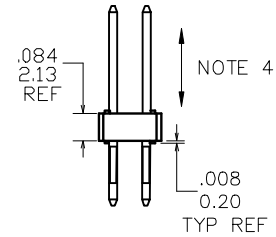
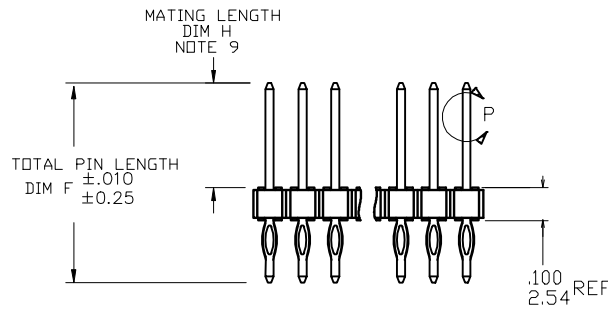


PRODUCT NUMBER
XXXXXXXX-YYTLF

- LEAD FREE OPTION (SEE NOTE 11 & 12)
- TUBE PACKAGING (SEE NOTE 8)
- NO. OF POSITIONS (SEE NOTE 6)
- PLATING NUMBER
(SEE SHEET 2)
- BASE PART NO.
(SEE SHT 3)



DETAIL P
SCALE: 4/1
TYP BOTH ENDS



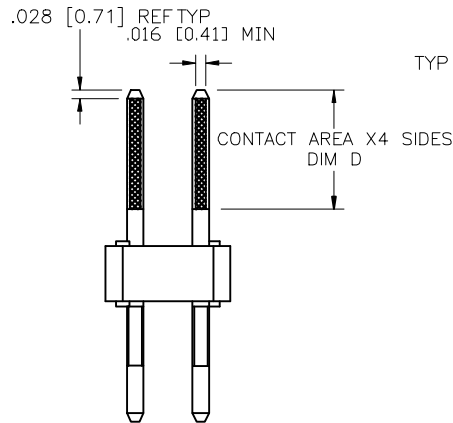
mat'l. code				surface	tolerance	projection	product family
				ISO 1302	ISO 406	ISO 1101	BERGSTIK
ltr	ecn no	dr	date	tolerances unless otherwise specified		INCH/MM	title
A	M07-0323	MHT	3/01/07	linear	.XX±.01/XX±0.3		
B	M08-0279	MHT	9/30/08	0'±2'	.XXX±.006/XXX±0.13	scale 2:1	BERGSTIK® II HEADER DR
					.XXX±.0020/XXX±0.051		.100/2.54cc DUPLEX PRESS FIT
				dr	M.HERNANDEZ	3/01/07	dwg no
				engr	S.FIERRO	3/01/07	sheet 1 of 3
				chr	S.FIERRO	3/01/07	size
				appd	S.FIERRO	3/01/07	A3
				type			Product Customer Drawing
sheet	revision	B	B	B			
index	sheet	1	2	3			

PLATING NUMBER	CONTACT AREA "DIM D" PLATING	PRESS FIT TAIL PLATING
XXXXXXXX-1YYLF	30u"/0.76u Au OVER 50u"/1.27u Ni	40u"/1.02u TIN OVER 50u"/1.27u Ni
XXXXXXXX-2YYLF	15u"/0.38u Au OVER 50u"/1.27u Ni	40u"/1.02u TIN OVER 50u"/1.27u Ni
XXXXXXXX-4YYLF	120u"/3.05u TIN OVER 50u"/1.27u Ni	120u"/3.05u TIN OVER 50u"/1.27u Ni
XXXXXXXX-5YYLF	30u"/0.76u GXT OVER 50u"/1.27u Ni	40u"/1.02u TIN OVER 50u"/1.27u Ni

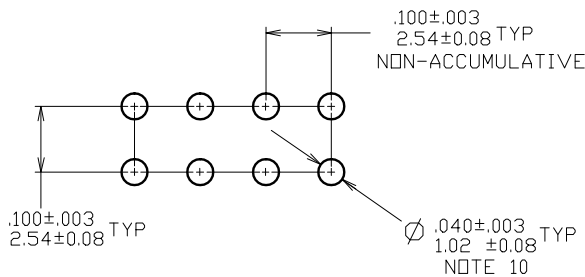
NOTE 13

NOTES

- ① BODY MATERIAL: GLASS FIBER REINFORCED PCT FLAME RETARDANT PER UL-94V-0. COLOR: BLACK.
OR
MINERAL FILLED LCP FLAME RETARDANT PER UL-94V-0. COLOR: BLACK.
- ② PIN MATERIAL: PHOS-BRONZE.
3. FINISH: SEE TABLE
- ④ 2 Lbs / 0.9 Kg MIN RETENTION IN EITHER DIRECTION.
- ⑤ MEASURED WITH PART IN RESTRAINED CONDITION.
- ⑥ ANY NUMBER OF POSITIONS FROM 2 (2X1) THROUGH 72 (2X36).
7. PACKAGED IN POLY BAGS.
- ⑧ EIGHT DIGIT PART NUMBERS FOLLOWED BY A "T" ARE PACKAGED IN TUBES. SEE SPECIFIC PART NUMBERS FOR AVAILABILITY.
- ⑨ TO ASSURE PROPER INSTALLATION: BERG TOOLING, AS SPECIFIED IN INSTRUCTION MANUAL 166577 MUST BE USED. PIN MATING LENGTH WILL BE $\pm 0.005/0.13$ AFTER INSTALLATION.
- ⑩ $\phi .0453/1.151$ DRILLED HOLE PLATED WITH $.0003/.007$ MIN. Sn OVER $.001/.03$ TO $.003/.08$ Cu. PLATING TO ACHIEVE A $\phi .040 \pm .003/1.02 \pm .08$ HOLE.
- ⑪ PART NUMBERS WITH "LF" SUFFIX ARE LEAD FREE.
- ⑫ THIS PRODUCT MEETS EUROPEAN UNION DIRECTIVES AND OTHER COUNTRY REGULATION AS DESCRIBED IN GS-22-008.
- ⑬ "THIS PRODUCT HAS 100% PURE TIN PLATING IN THE INTERFACE AND HAS NOT BEEN TESTED FOR WHISKER GROWTH IN ALL INTERCONNECT ENVIRONMENTS."



DOUBLE ROW
END VIEW



DOUBLE ROW
RECOMMENDED HOLE PATTERN

mal't. code		surface	tolerance	projection	product family
ISO 1302		ISO 406	ISO 1101		BERGSTIK
ltr	ecn no	dr	date	title	
B				BERGSTIK® II HEADER DR	
tolerances unless otherwise specified		angles	linear	INCH/MM	.100/2.54cc DUPLEX PRESS FIT
		0°±2'	XXX±.01/XX±0.3	scale	2:1
			XXX±.006/XX±0.13		
			XXX±.0020/XXX±0.051		
dr	M.HERNANDEZ		3/01/07	dwg no	sheet 2 of 3 size
engr	S.FIERRO		3/01/07	10077239	A3
chr	S.FIERRO		3/01/07		
appd	S.FIERRO		3/01/07	type Product Customer Drawing	
sheet	revision				
index	sheet				

PRODUCT NO.	TOTAL PIN LGTH		MATING LENGTH		CONTACT AREA		PACKAGING
	DIM F	DIM F	DIM H	DIM H	DIM D	DIM D	
	ENGLISH	METRIC	ENGLISH	METRIC	ENGLISH	METRIC	
10077239-XYX	0.608	15.44	0.318	8.08	0.200	5.08	POLY BAGS/TUBE



Copyright FCJ

mat'l. code		surface ISO 1302 <input checked="" type="checkbox"/> ISO 406 ISO 7101		tolerance ISO 406 ISO 7101		projection 		product family BERGSTIK	
ltr	ecp no	dr	date	tolerances unless otherwise specified					
B				angles	linear	.XX±.01/XX±0.3	INCH/MM		title
				0'±2'		.XXX±.006/XX±0.13	←→		BERGSTIK® II HEADER DR
						.XXX±.0020/XXX±0.051	scale 2:1		.100/2.54cc DUPLEX PRESS FIT
				dr	M.HERNANDEZ	3/01/07			dwg no
				engr	S.FIERRO	3/01/07			sheet 3 of 3 size
				chr	S.FIERRO	3/01/07			10077239 A3
				appd	S.FIERRO	3/01/07			type Product Customer Drawing
sheet	revision								
index	sheet								

form A3