

TPS717xxEVM-134

This user's guide describes the characteristics, operation, and use of the TPS71728EVM-134 evaluation module (EVM). The Texas Instruments TPS71728 low quiescent current, wide bandwidth, low dropout linear regulator is capable of supplying up to 150 mA of output current. This user's guide includes setup instructions, a schematic diagram, a bill of materials (BOM), and PCB layout drawings for the evaluation module.

Contents

1	Introduction	1
2	Setup	2
3	Board Layout	3
4	Schematic and Bill of Materials	4
5	Related Documentation From Texas Instruments.....	5

List of Figures

1	Assembly Layer	3
2	Top Layer Routing.....	3
3	Bottom Layer Routing	3
4	TPS717xxEVM-134 Schematic	4

List of Tables

1	Minimum and Maximum Input Voltage.....	2
2	TPS717xxEVM-134 Bill of Materials	5

1 Introduction

The Texas Instruments TPS71728EVM-134 evaluation module (EVM) helps designers evaluate the operation and performance of the TPS717xx family of linear regulators. These are low quiescent current, wide bandwidth, low dropout linear regulators in a SC70 package.

This EVM demonstrates the TPS71728, which is a 2.8-V fixed version of the TPS717xx family. Other fixed output voltage versions of the device can be evaluated by replacing the TPS71728 with the appropriate part from the TPS717xx family. If an adjustable version is desired, the TPS71728 can be replaced with the TPS71701 and two feedback resistors. See the TPS717xx data sheet ([SBVS068](#)) for the various fixed output voltage options available as well as for more information on adjusting the output voltage.

2 Setup

This section describes the jumpers and connectors on the EVM as well as how to properly connect, set up, and use the TPS717xxEVM-134.

2.1 Input/Output Connector Descriptions

2.1.1 J1 –VIN

This is the positive input connection to the linear regulator. The leads to the input supply should be twisted and kept as short as possible to minimize EMI transmission.

2.1.2 J2 – GND

This is the input return connection for the input power supply.

2.1.3 J3 – VOUT

This is the positive connection from the output of the linear regulator. Connect this pin to the positive input of the load.

2.1.4 J4– GND

This is the return connection from the output of the linear regulator. Connect this pin to the negative input of the load.

2.1.5 JP1– EN

This jumper enables or disables the linear regulator. Connect the shorting jumper from the center EN pin to either the ON or OFF position. This pin should never be left floating.

2.2 Setup

The TPS717XXEVM-134 features the SC70 package. The thermal performance of this package style and ambient temperature may limit the power dissipation, computed as $P_d = (V_{in} - V_{out}) \times I_{out}$. Because the EVM's regulator output voltage, V_{out} , is fixed at 2.8 V, the regulator's input voltage, output current, and ambient temperature are the only variables that can be adjusted to manage power dissipation.

[Table 1](#) shows the maximum input voltage at room temperature and full-rated load current of 150 mA. Above this voltage, the output current must be reduced to keep the power dissipation of the package below the maximums stated in the data sheet. Changes in output voltage or ambient temperature affect these values. [Table 1](#) also shows the minimum input voltage required to produce an output for the linear regulator. The minimum input voltage is the output voltage plus the necessary dropout voltage at 150-mA output current.

Table 1. Minimum and Maximum Input Voltage

Linear Regulator #	Output Voltage	Minimum Input Voltage	Maximum Input Voltage Before Current Derate (T = 25°C, I _o = 150 mA)
1	2.8	3.1	6.5

When using fixed versions of the TPS717xx family, it is important that C4 is installed as a 0.01-μF ceramic, noise-reduction capacitor and that R1 is left open. When using the adjustable version, the C4 noise-reduction capacitor should be removed, and R1 and C4 should be populated with the appropriate feedback resistors as outlined in the TPS717xx data sheet ([SBVS068](#)).

2.3 Operation

JP1 is the enable for the linear regulator and must be configured for proper operation. Use a shorting block to set JP1 to the desired configuration.

3 Board Layout

This section provides the TPS717xxEVM-134 board layout and illustrations.

3.1 Layout

Figure 1, Figure 2, and Figure 3 show the board layout for the TPS717xxEVM-134 printed-wiring board.

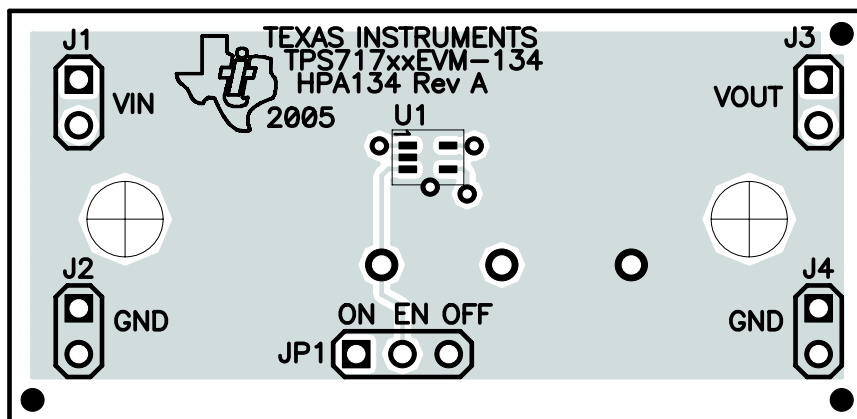


Figure 1. Assembly Layer

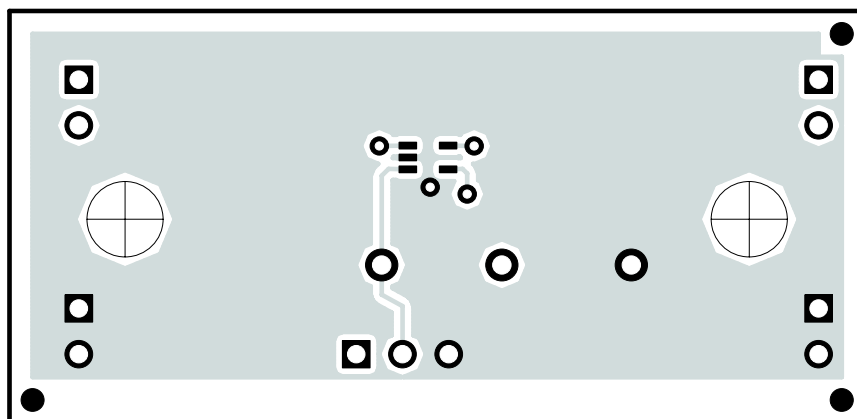


Figure 2. Top Layer Routing

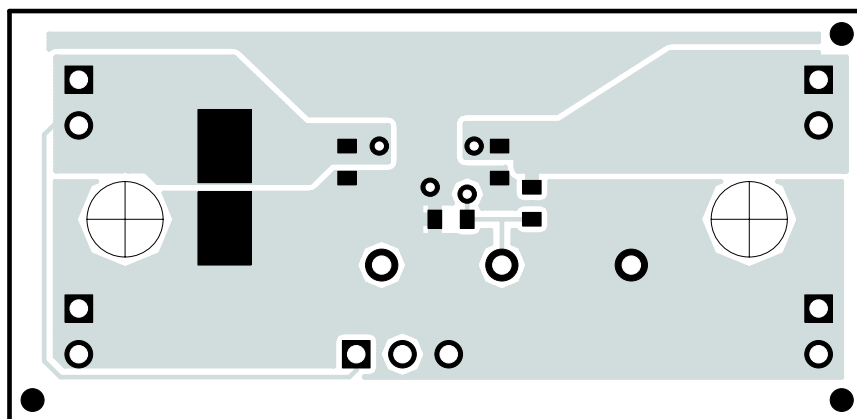


Figure 3. Bottom Layer Routing

4 Schematic and Bill of Materials

This section provides the TPS717xxEVM-134 schematic and bill of materials.

4.1 Schematic

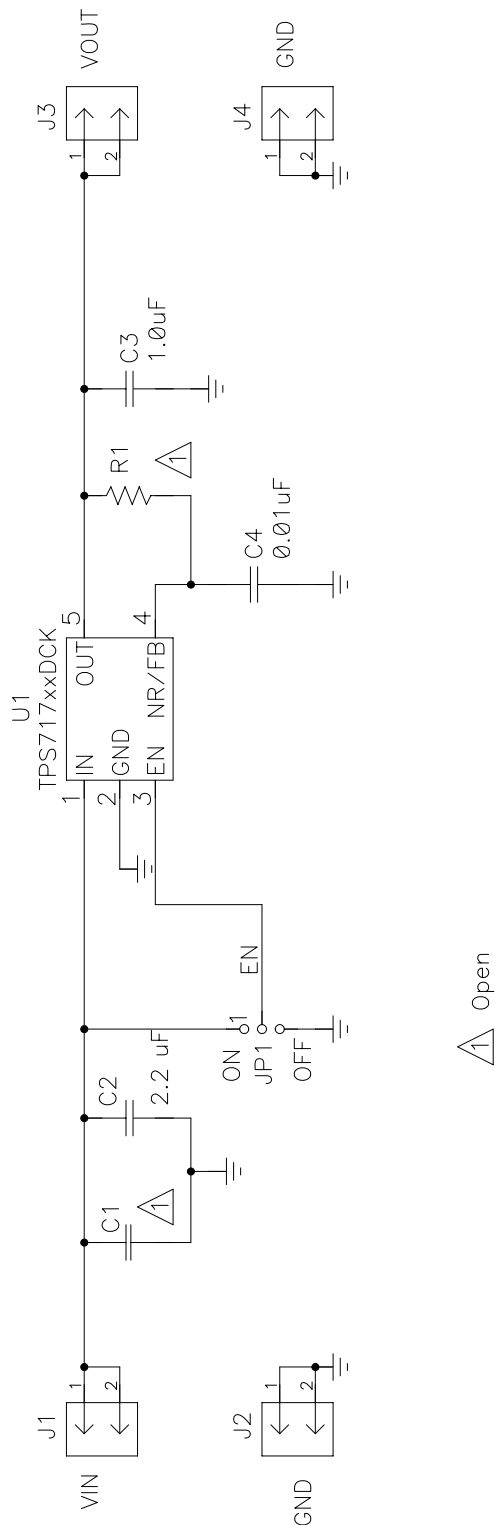


Figure 4. TPS717xxEVM-134 Schematic

4.2 Bill of Materials

Table 2. TPS717xxEVM-134 Bill of Materials

Count	Ref Des	Value	Description	Size	Part Number	MFR
0	C1	Open	Capacitor, Multipattern, 603D case	7343 (D)		
1	C2	2.2 μ F	Capacitor, Ceramic, 16V, X5R, 10%	0603	C1608X5R1C225K	TDK
1	C3	1.0 μ F	Capacitor, Ceramic, 25V, X5R, 10%	0603	C1608X5R1E105K	TDK
1	C4	0.01 μ F	Capacitor, Ceramic, 50V, X7R, 10%	0603	C1608X7R1H103K	TDK
4	J1–J4		Header, 2-pin, 100 mil spacing, (36-pin strip)	0.100 \times 2	PTC36SAAN	
1	JP1		Header, 3-pin, 100 mil spacing, (36-pin strip)	0.100 \times 3	PTC36SAAN	
0	R1		Open Resistor, Chip, 1/16W	0603	Std	Std
1	U1		IC, 150 mA, Low Iq, Wide Bandwidth, LDO Linear Regulators	SC70	TPS71728DCK	TI
1	—		PCB, 1.85 In \times 0.9 In \times 0.062 In		HPA134	Any
1	—		Shunt, 100-mil, Black	0.100	929950-00	3M

5 Related Documentation From Texas Instruments

TPS717xx data sheet ([SBVS068](#))

FCC Warnings

This equipment is intended for use in a laboratory test environment only. It generates, uses, and can radiate radio frequency energy and has not been tested for compliance with the limits of computing devices pursuant to subpart J of part 15 of FCC rules, which are designed to provide reasonable protection against radio frequency interference. Operation of this equipment in other environments may cause interference with radio communications, in which case the user at his own expense will be required to take whatever measures may be required to correct this interference.

EVM TERMS AND CONDITIONS

Texas Instruments (TI) provides the enclosed Evaluation Module and related material (EVM) to you, the user, (you or user) **SUBJECT TO** the terms and conditions set forth below. By accepting and using the EVM, you are indicating that you have read, understand and agree to be bound by these terms and conditions. **IF YOU DO NOT AGREE TO BE BOUND BY THESE TERMS AND CONDITIONS, YOU MUST RETURN THE EVM AND NOT USE IT.**

This EVM is provided to you by TI and is intended for your **INTERNAL ENGINEERING DEVELOPMENT OR EVALUATION PURPOSES ONLY**. It is provided "AS IS" and "WITH ALL FAULTS." It is not considered by TI to be fit for commercial use. As such, the EVM may be incomplete in terms of required design-, marketing-, and/or manufacturing-related protective considerations, including product safety measures typically found in the end product. As a prototype, the EVM does not fall within the scope of the European Union directive on electromagnetic compatibility and therefore may not meet the technical requirements of the directive.

Should this EVM not meet the specifications indicated in the EVM User's Guide, it may be returned within 30 days from the date of delivery for a full refund of any amount paid by user for the EVM, which user agrees shall be user's sole and exclusive remedy. **THE FOREGOING WARRANTY IS THE EXCLUSIVE WARRANTY MADE BY TI TO USER, AND IS IN LIEU OF ALL OTHER WARRANTIES, EXPRESSED, IMPLIED, OR STATUTORY, INCLUDING ANY WARRANTY OF MERCHANTABILITY, FITNESS FOR ANY PARTICULAR PURPOSE OR NON-INFRINGEMENT.**

TI shall have no obligation to defend any claim arising from the EVM, including but not limited to claims that the EVM infringes third party intellectual property. Further, TI shall have no liability to user for any costs, losses or damages resulting from any such claims. User shall indemnify and hold TI harmless against any damages, liabilities or costs resulting from any claim, suit or proceeding arising from user's handling or use of the EVM, including but not limited to, (i) claims that the EVM infringes a third party's intellectual property, and (ii) claims arising from the user's use or handling of the EVM. TI shall have no responsibility to defend any such claim, suit or proceeding.

User assumes all responsibility and liability for proper and safe handling and use of the EVM and the evaluation of the EVM. TI shall have no liability for any costs, losses or damages resulting from the use or handling of the EVM. User acknowledges that the EVM may not be regulatory compliant or agency certified (FCC, UL, CE, etc.). Due to the open construction of the EVM it is the user's responsibility to take any and all appropriate precautions with regard to electrostatic discharge.

EXCEPT TO THE EXTENT OF THE USER'S INDEMNITY OBLIGATIONS SET FORTH ABOVE, NEITHER PARTY SHALL BE LIABLE TO THE OTHER FOR ANY INDIRECT, SPECIAL, INCIDENTAL, OR CONSEQUENTIAL DAMAGES WHETHER TI IS NOTIFIED OF THE POSSIBILITY OR NOT.

TI currently deals with a variety of customers for products, and therefore our arrangement with the user **is not exclusive**.

TI assumes **no liability for applications assistance, customer product design, software performance, or infringement of patents or services described herein.**

User agrees to read the EVM User's Guide and, specifically, the EVM warnings and Restrictions notice in the EVM User's Guide prior to handling the EVM and the product. This notice contains important safety information about temperatures and voltages.

It is user's responsibility to ensure that persons handling the EVM and the product have electronics training and observe good laboratory practice standards.

By providing user with this EVM, product and services, TI is NOT granting user any license in any patent or other intellectual property right.

EVM WARNINGS AND RESTRICTIONS

It is important to operate this EVM within the input voltage range of 3.1 V to 6.5 V.

Exceeding the specified input range may cause unexpected operation and/or irreversible damage to the EVM. If there are questions concerning the input range, please contact a TI field representative prior to connecting the input power.

Applying loads outside of the specified output range may result in unintended operation and/or possible permanent damage to the EVM. Please consult the EVM User's Guide prior to connecting any load to the EVM output. If there is uncertainty as to the load specification, please contact a TI field representative.

EVM WARNINGS AND RESTRICTIONS (continued)

During normal operation, some circuit components may have case temperatures greater than 125°C. The EVM is designed to operate properly with certain components above 125°C as long as the input and output ranges are maintained. These components include but are not limited to linear regulators, switching transistors, pass transistors, and current sense resistors. These types of devices can be identified using the EVM schematic located in the EVM User's Guide. When placing measurement probes near these devices during operation, please be aware that these devices may be very warm to the touch.

Mailing Address: Texas Instruments, Post Office Box 655303, Dallas, Texas 75265
Copyright © 2006, Texas Instruments Incorporated

IMPORTANT NOTICE

Texas Instruments Incorporated and its subsidiaries (TI) reserve the right to make corrections, modifications, enhancements, improvements, and other changes to its products and services at any time and to discontinue any product or service without notice. Customers should obtain the latest relevant information before placing orders and should verify that such information is current and complete. All products are sold subject to TI's terms and conditions of sale supplied at the time of order acknowledgment.

TI warrants performance of its hardware products to the specifications applicable at the time of sale in accordance with TI's standard warranty. Testing and other quality control techniques are used to the extent TI deems necessary to support this warranty. Except where mandated by government requirements, testing of all parameters of each product is not necessarily performed.

TI assumes no liability for applications assistance or customer product design. Customers are responsible for their products and applications using TI components. To minimize the risks associated with customer products and applications, customers should provide adequate design and operating safeguards.

TI does not warrant or represent that any license, either express or implied, is granted under any TI patent right, copyright, mask work right, or other TI intellectual property right relating to any combination, machine, or process in which TI products or services are used. Information published by TI regarding third-party products or services does not constitute a license from TI to use such products or services or a warranty or endorsement thereof. Use of such information may require a license from a third party under the patents or other intellectual property of the third party, or a license from TI under the patents or other intellectual property of TI.

Reproduction of information in TI data books or data sheets is permissible only if reproduction is without alteration and is accompanied by all associated warranties, conditions, limitations, and notices. Reproduction of this information with alteration is an unfair and deceptive business practice. TI is not responsible or liable for such altered documentation.

Resale of TI products or services with statements different from or beyond the parameters stated by TI for that product or service voids all express and any implied warranties for the associated TI product or service and is an unfair and deceptive business practice. TI is not responsible or liable for any such statements.

Following are URLs where you can obtain information on other Texas Instruments products and application solutions:

Products		Applications	
Amplifiers	amplifier.ti.com	Audio	www.ti.com/audio
Data Converters	dataconverter.ti.com	Automotive	www.ti.com/automotive
DSP	dsp.ti.com	Broadband	www.ti.com/broadband
Interface	interface.ti.com	Digital Control	www.ti.com/digitalcontrol
Logic	logic.ti.com	Military	www.ti.com/military
Power Mgmt	power.ti.com	Optical Networking	www.ti.com/opticalnetwork
Microcontrollers	microcontroller.ti.com	Security	www.ti.com/security
		Telephony	www.ti.com/telephony
		Video & Imaging	www.ti.com/video
		Wireless	www.ti.com/wireless

Mailing Address: Texas Instruments
Post Office Box 655303 Dallas, Texas 75265

Copyright © 2006, Texas Instruments Incorporated