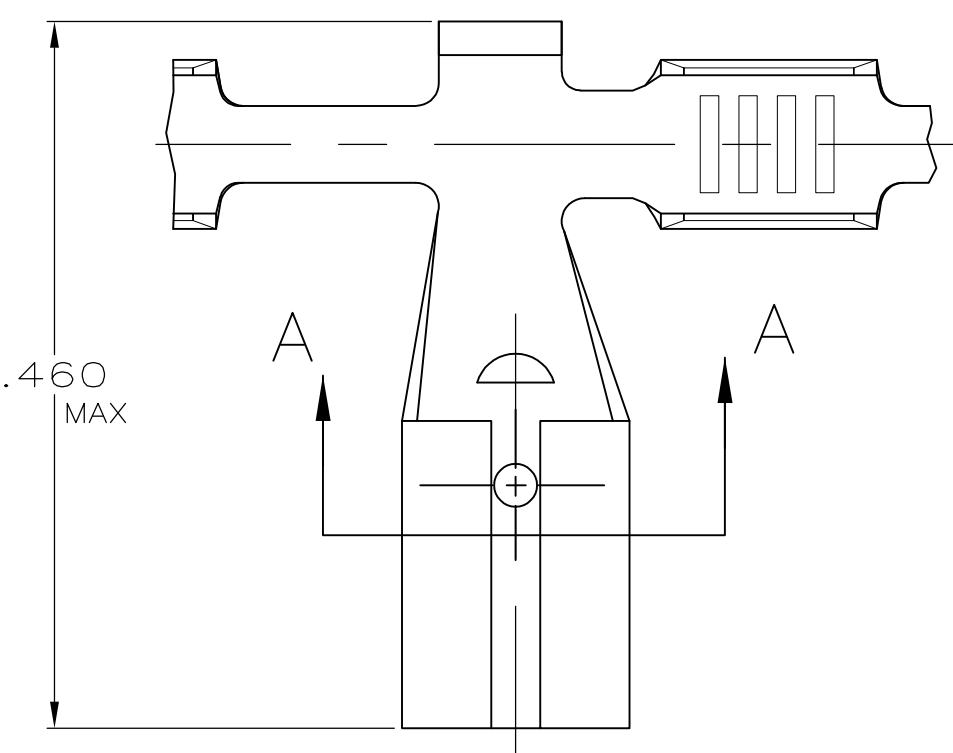
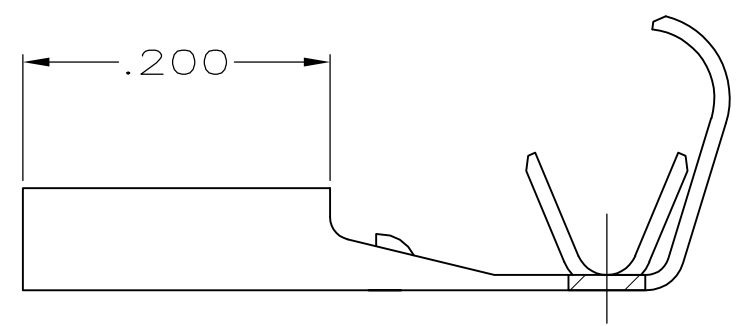
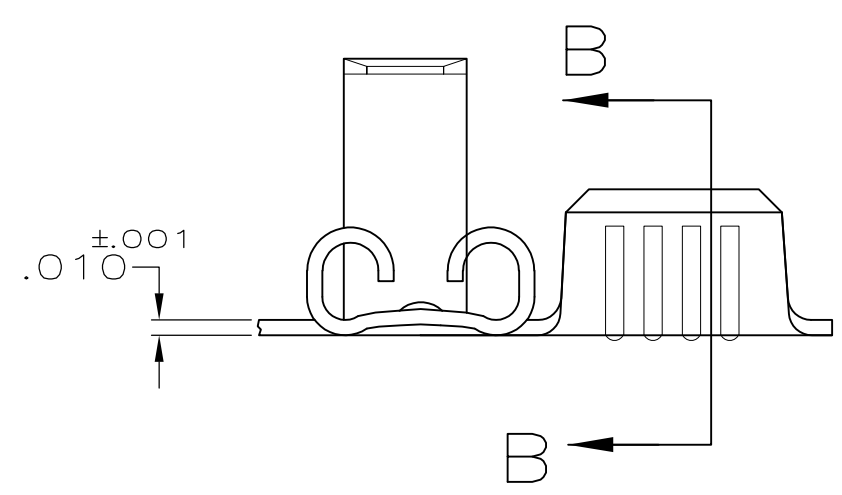
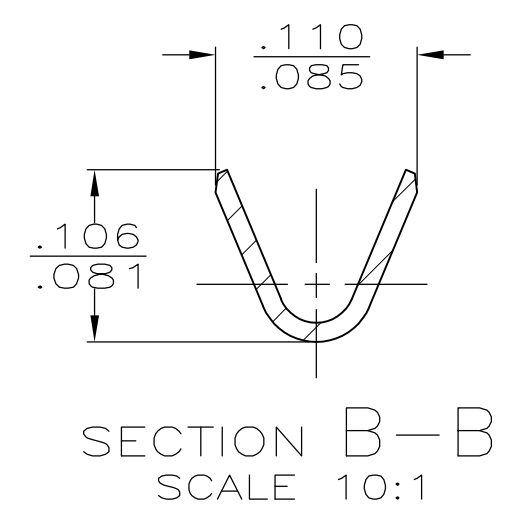
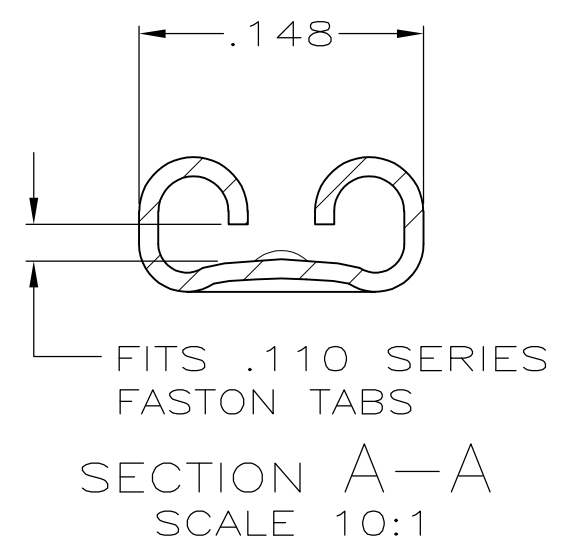


THIS DRAWING IS UNPUBLISHED. RELEASED FOR PUBLICATION
 © COPYRIGHT - By - ALL RIGHTS RESERVED.

LOC		DIST		REVISIONS					
AF		50		P	LTR	DESCRIPTION	DATE	DWN	APVD
					C	REVISED PER ECR-12-013459	29NOV2012	KH	PD



1 CONTINUOUS STRIP ON REELS



.065-.100 DIA	22-18 AWG	.020	61372-1
INSULATION RANGE	WIRE SIZE	MATING TAB THK ±.001	PART NO

THIS DRAWING IS A CONTROLLED DOCUMENT.		DWN	JR RUTH	4/24/91	TE Connectivity							
DIMENSIONS: INCHES		CHK	MS FEHER	4/24/91					RECEPTACLE, FASTON, FLAG, .110 SERIES			
		APVD	C MEYERS	4/24/91								
TOLERANCES UNLESS OTHERWISE SPECIFIED:		PRODUCT SPEC			NAME							
0 PLC ± - 1 PLC ± - 2 PLC ± - 3 PLC ± .015 4 PLC ± - ANGLES ± -		APPLICATION SPEC			RESTRICTED TO							
MATERIAL: BRASS		FINISH: PRE-TIN			WEIGHT: -		SIZE: A3	CAGE CODE: 00779	DRAWING NO: C-61372	REV: C		
CUSTOMER DRAWING					SCALE: 8:1	SHEET: 1 OF 1						