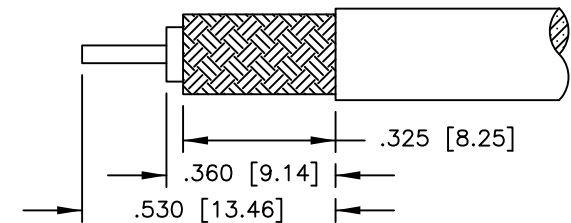
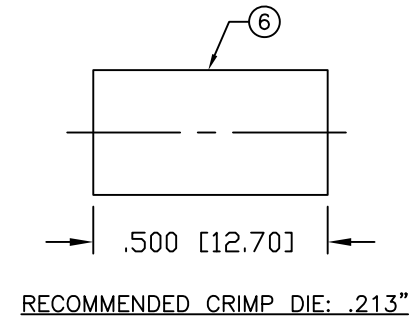
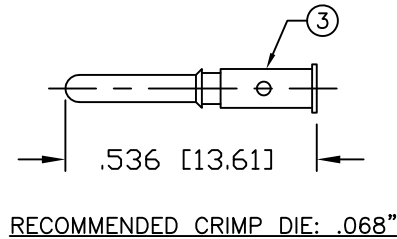
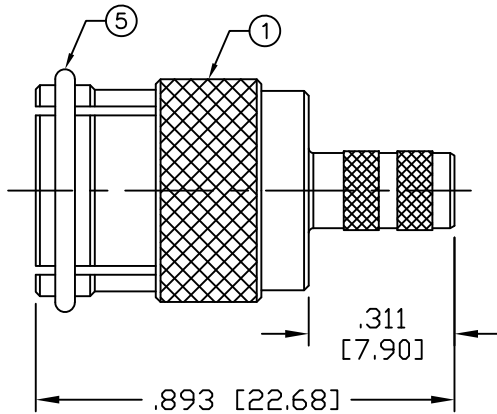


PART NO.		RFU-600-5C1		
REV	DESCRIPTION	DWN	DATE	APPROVED
-	ENGINEERING RELEASE	CZ	11/05/21	JDMc



RECOMMENDED STRIPPING DIMENSIONS

SPECIFICATIONS:

IMPEDANCE: 50 OHMS
 WORKING VOLTAGE: 335 VRMS @ SEA LEVEL
 FREQUENCY RANGE: 0-2.5 GHz
 INSERTION LOSS: \leq -.2 dB @ 2 GHz
 VSWR MAX: 1.25:1 @ 2 GHz
 FOR RG-55, 55A, 55B, 142, 142A, 142B, 223 & 400/U,
 ALPHA 9055, 9055B, 9223, BELDEN 8219, 83242 & 84142

6	FERRULE	1	BRASS	NICKEL
5	RETAINING RING	1	SK-5	NICKEL
4	PRESS FIT WASHER	1	BRASS	NICKEL
3	PIN	1	BRASS	GOLD
2	INSULATOR	1	PTFE	NATURAL
1	BODY	1	BRASS	NICKEL
#	DESCRIPTION	QTY	MATERIAL	FINISH

CUSTOMER OUTLINE DRAWING	
ALL DIMENSIONS ARE REFERENCE ONLY	
UNLESS OTHERWISE SPECIFIED: DIMENSIONS ARE IN INCHES AND [MILLIMETERS]	
DRAWN C. ZUÑIGA	11/05/21
CHECKED	
ORJ DRAWN C. ZUÑIGA	11/05/21

RoHS COMPLIANT

PROPRIETARY AND CONFIDENTIAL

THIS DRAWING CONTAINS INFORMATION PROPRIETARY TO RF INDUSTRIES, ANY UNAUTHORIZED USE OF THIS DRAWING IS EXPRESSLY PROHIBITED WITHOUT WRITTEN PERMISSION FROM RF INDUSTRIES. ANY VIOLATION IS PUNISHABLE UNDER U.S. COPYRIGHT LAWS.

RFconnectors
 DIVISION OF RF INDUSTRIES, LTD. (858) 549-6345 FAX

RFINDUSTRIES.COM
 7610 MIRAMAR RD.
 SAN DIEGO, CA 92126
 (858) 549-6340

**MINI UHF MALE
 QUICK DISCONNECT CRIMP**

DWG # **RFU-600-5C1**

CABLE GROUP C1	CONTROL # 000000	SCALE NTS	FORMAT A	SHEET 1 OF 1	REVISION -
-------------------	---------------------	--------------	-------------	-----------------	---------------