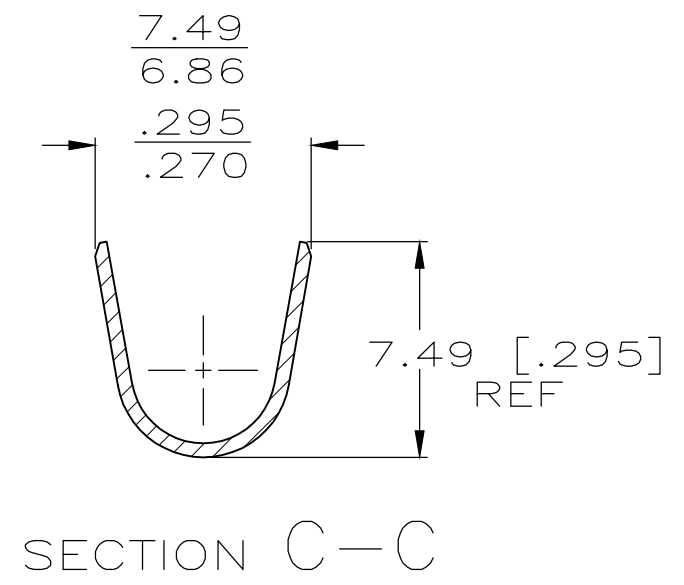
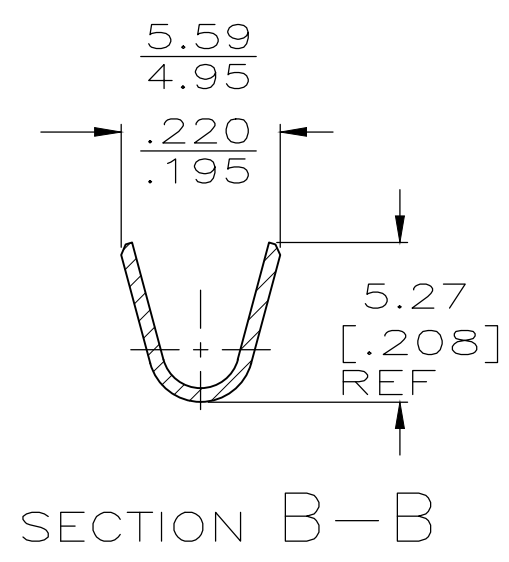
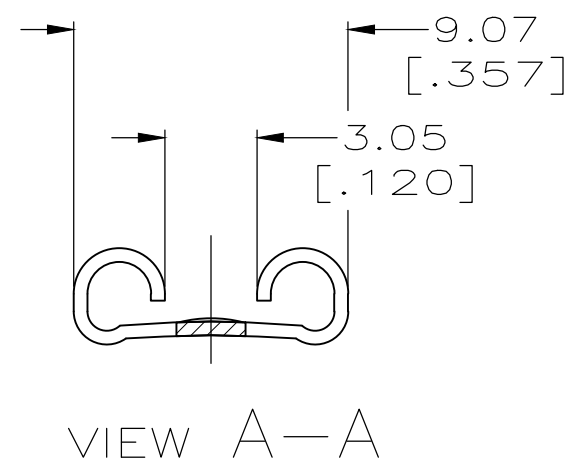
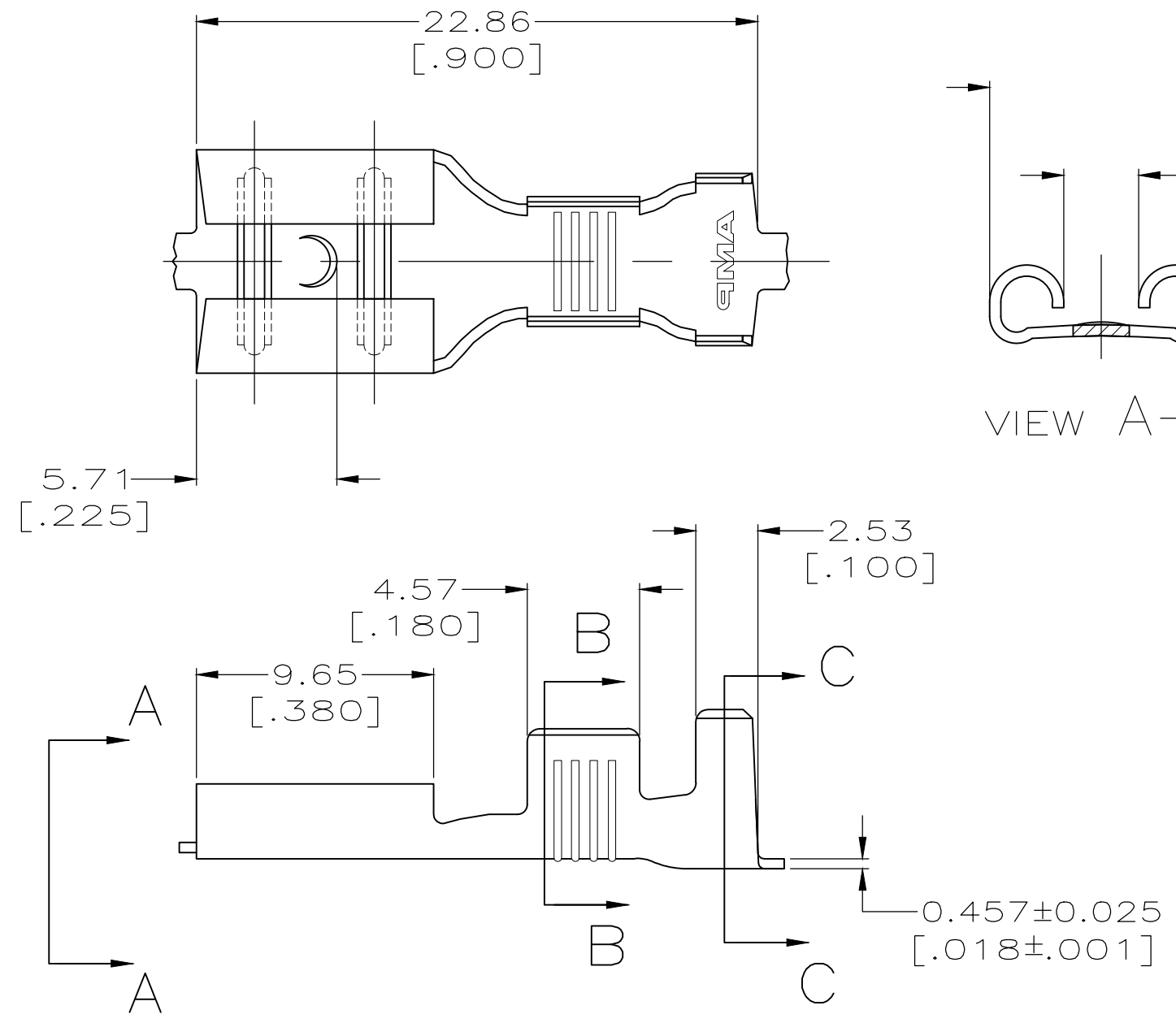


THIS DRAWING IS UNPUBLISHED. RELEASED FOR PUBLICATION
 © COPYRIGHT - By - ALL RIGHTS RESERVED.

REVISIONS					
P	LTR	DESCRIPTION	DATE	DWN	APVD
	F2	REVISED PER ECR-19-018151	12NOV2020	AA	EW

- 1 CONTINUOUS STRIP ON REELS
- 2 WIRE SIZE IS #14-#10 AWG
- 3 INSULATION RANGE IS 3.81-5.08
[.150-.200] DIA.
- 4 MATING TAB THK IS 0.81±0.025
[.032±.001]
- △5 PREPRODUCTION - FASR REQUIRED



OBSOLETE	TIN	△5 63820-3
	0.00381 [.000150] MIN SILVER	63820-1
	FINISH	PART NO.

F	6.35	6.40	F	3.56	1.98 [.078]	[#14]
	[.250]	[.252]		[.140]	2.29 [.090]	[#12]
					2.74 [.108]	[#10]
TYPE	WIDTH	STRIP LENGTH	TYPE	WIDTH	HEIGHT	WIRE
INSUL BARREL CRIMP		±0.38 ±[.015]	WIRE BARREL CRIMP		±0.051 ±[.002]	

THIS DRAWING IS A CONTROLLED DOCUMENT.		DWN JR RUTH 11/3/94	STE TE Connectivity		
DIMENSIONS: mm [INCHES]		CHK MS FEHER 11/3/94			
TOLERANCES UNLESS OTHERWISE SPECIFIED:		APVD J GILLESPIE 11/3/94	NAME RECEPTACLE, FASTON, 7.92 [.312] SERIES		
0 PLC ± -		PRODUCT SPEC -	APPLICATION SPEC 114-2036		
1 PLC ± -		WEIGHT	SIZE A3	CAGE CODE 00779	DRAWING NO C-63820
2 PLC ± 0.25 [.010]		CUSTOMER DRAWING			
3 PLC ± -		SCALE 4:1			
4 PLC ± -		SHEET 1 OF 1			
ANGLES ± -		REV F2			
MATERIAL BRASS	FINISH SEE TABLE				