

6

5

4

3

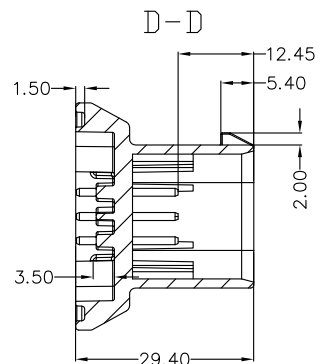
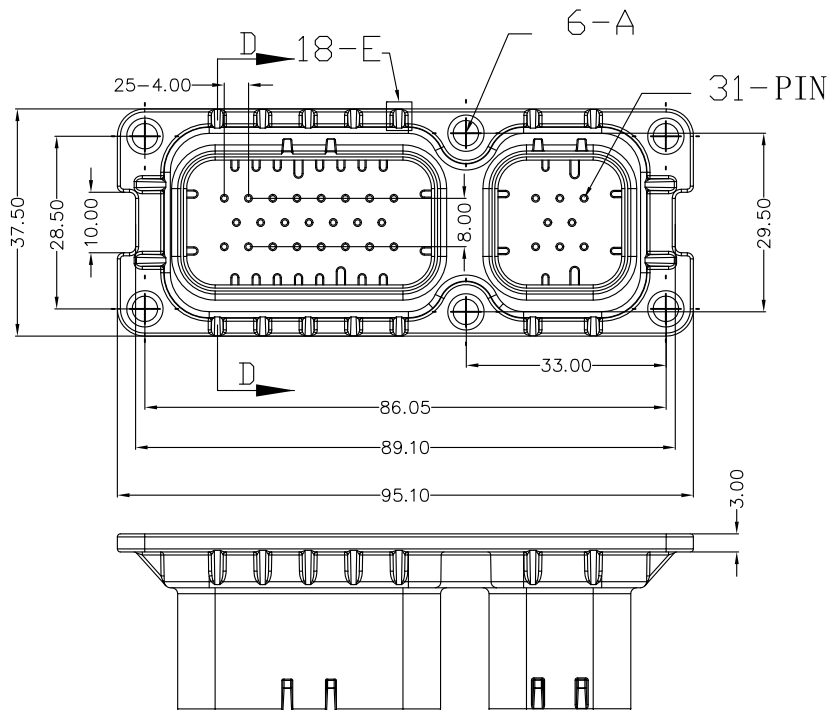
2

1

APPROVED: _____

DATE: _____ TITLE: _____

Rev	AWO #	Description	Date	Appr
-		RELEASED	11/27/18	



PIN	BRASS
2:1	GOLD PLATED
A	BRASS
2:1	

SPECIFICATIONS:

Material:
 Insulator: PA66+30%GF, rated UL 94V-0
 Insulator color: Black
 Contacts: Brass
 Plating:
 Gold flash over Nickel underplate overall
 Electrical:
 Current rating: 7 Amp
 Contact resistance: 20 mohms max
 Insulation resistance: 1,000 Mohms min
 Dielectric withstanding voltage: 500 VAC
 Temperature Rating:
 -40°C to +105°C
 Environmental:
 Lead free, RoHS compliant



UNLESS OTHERWISE SPECIFIED ALL DIMENSIONS ARE MILLIMETERS TOLERANCES: EXCEPT AS NOTED MM ANGLE X.X ± 0.30 ± 3° X.XX ± 0.25 X.XXX ± 0.10		
APPROVALS		DATE
DRAWN	AY	11/27/18
CHECKED	AC	11/27/18
APPROVED		

ADAM TECH
 INTERCONNECTS
 909 Rahway Avenue,
 Union, NJ 07083
 Phone: 908-687-5000
 Fax: 908-687-5710

TITLE			
8+23P, AUTOMOBILE, PITCH 4.00, L1.3*17.5 PIN			
SIZE	PART NO.	REV.	
X	ADT-AMMC3903MACT002	-	
REF:	S00111C	SCALE: NTS	SHEET 1 OF 1

6

5

4

3

2

1