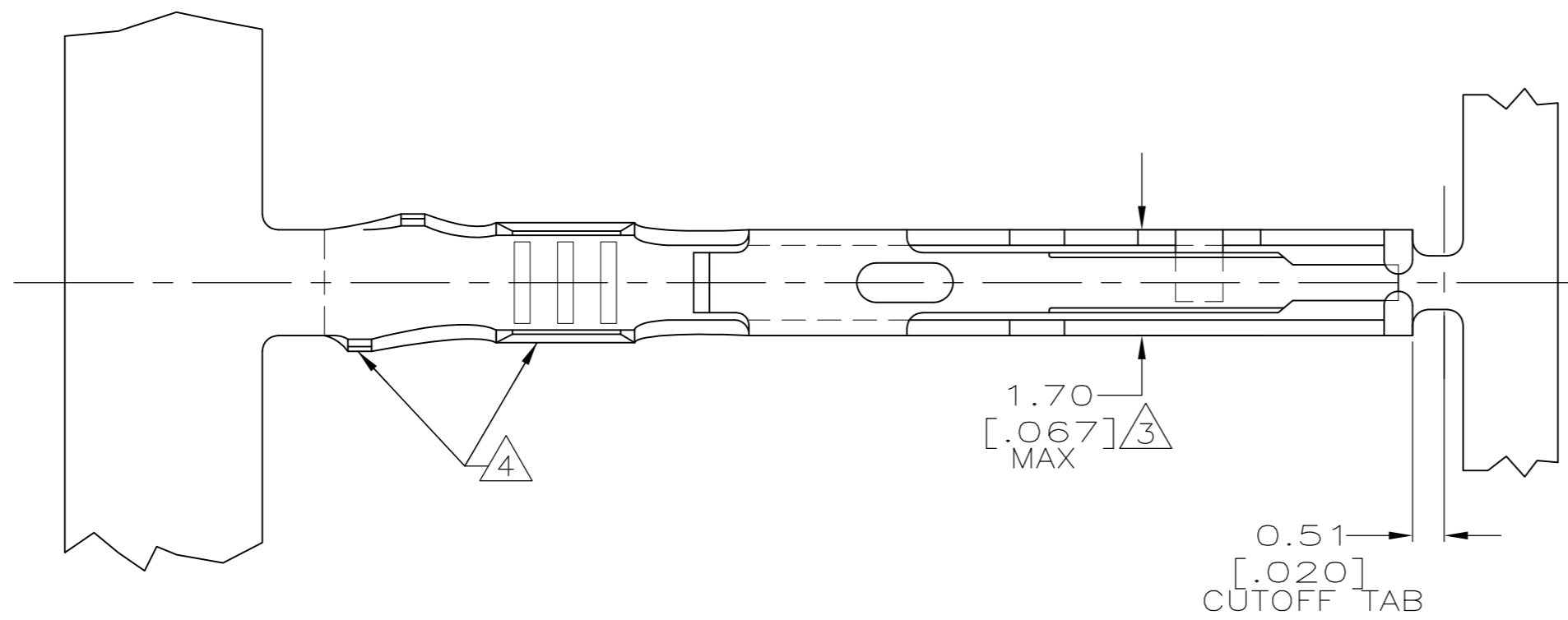
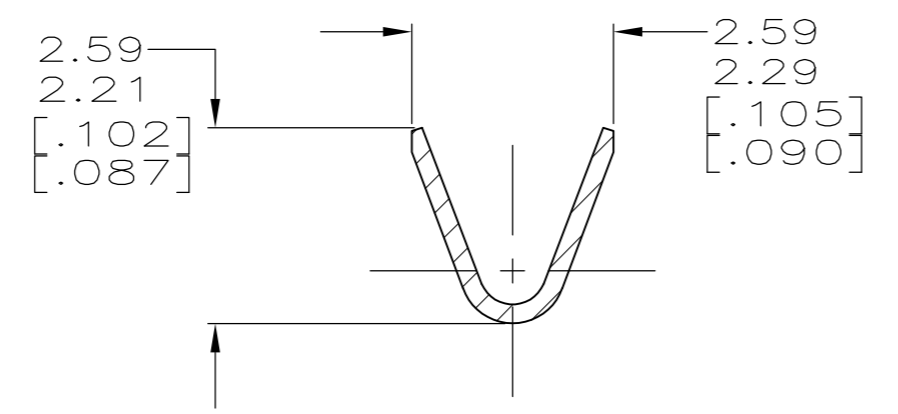
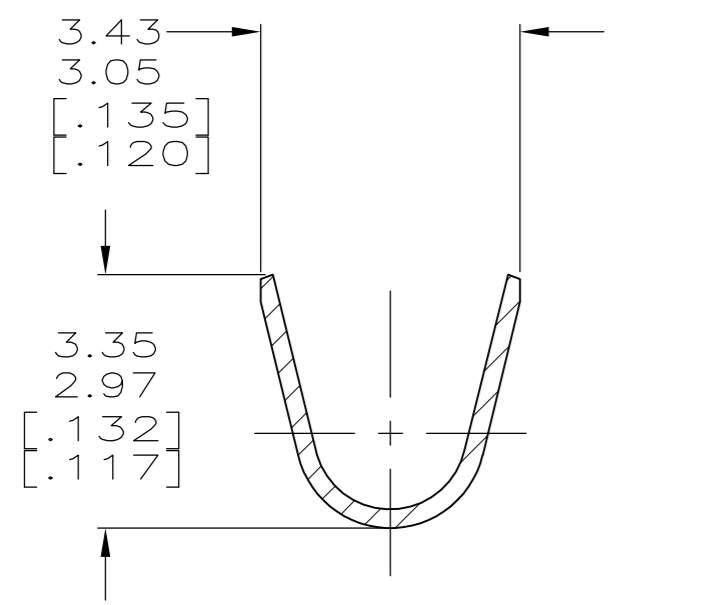
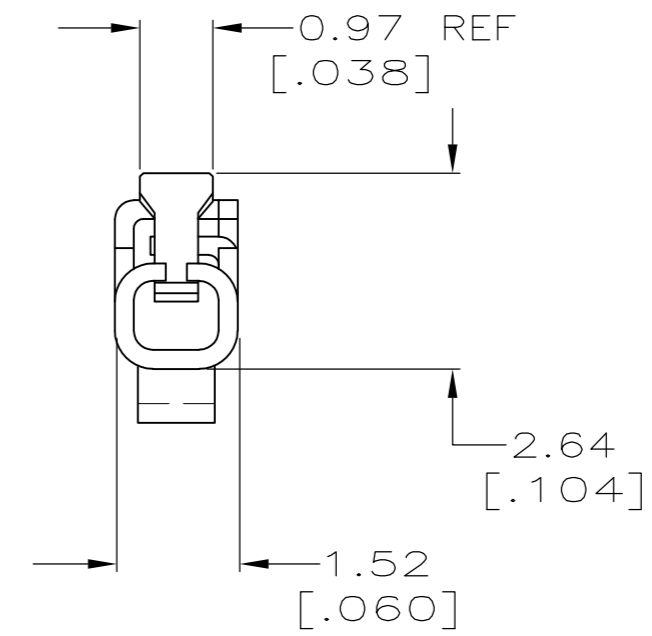
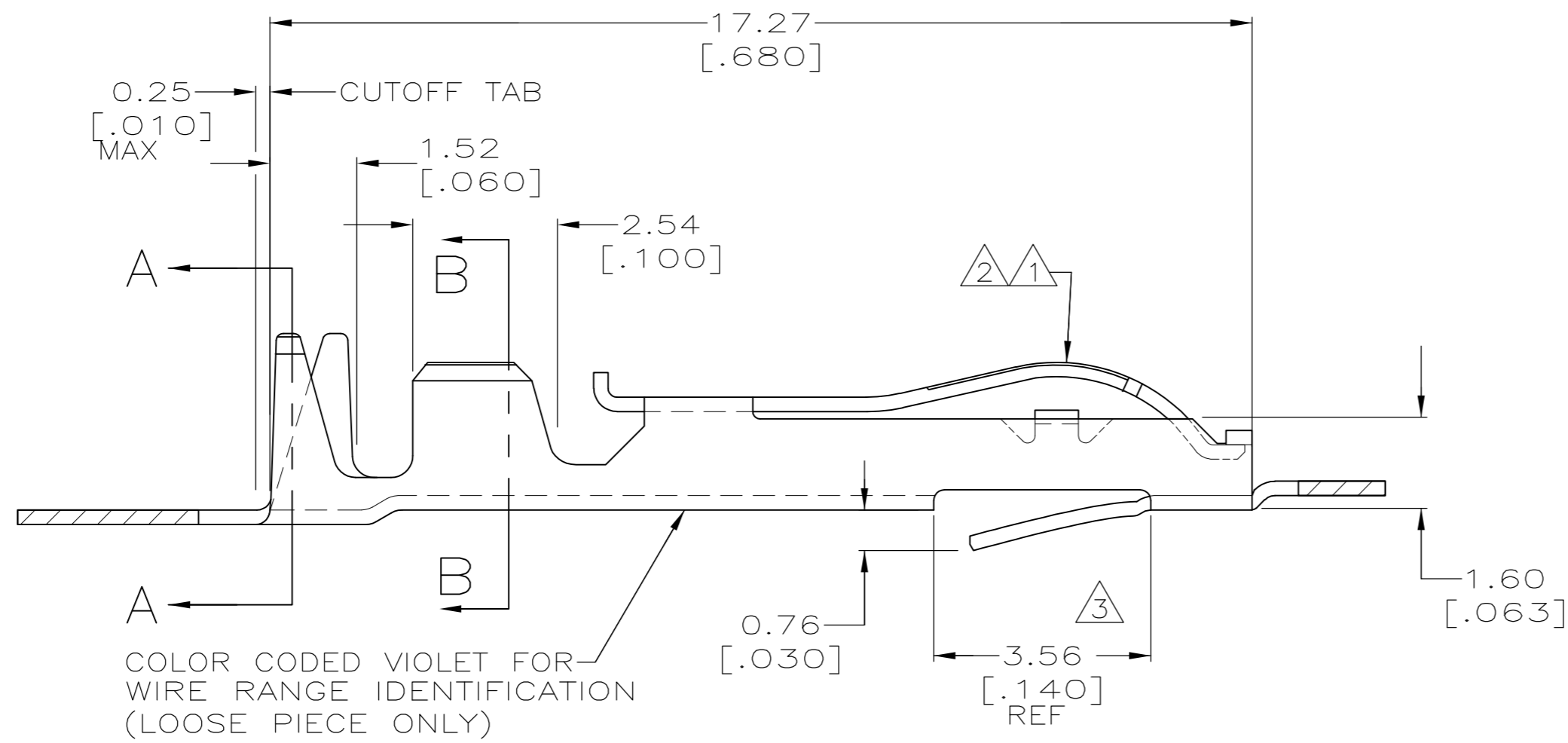


THIS DRAWING IS UNPUBLISHED. RELEASED FOR PUBLICATION
 © COPYRIGHT - By - ALL RIGHTS RESERVED.

LOC	DIST	REVISIONS			
P	LTR	DESCRIPTION	DATE	DWN	APVD
AD	00	N	REVISED PER ECO-12-021574	11DEC12	KH MM



- 1 .000030 GOLD OVER .000030 NICKEL IN CONTACT AREA.
- 2 .000015 GOLD OVER .000030 NICKEL IN CONTACT AREA.
- 3 .067 MAX ALLOWED IN LOCKING POSITION AREA FOR .140 REF LENGTH.
- 4 TIN-LEAD IN CRIMP AREA.
- 5 OBSOLETE
- 6 MATTE TIN IN CRIMP AREA.



1 6	531478-5	5-531478-4
1 4	531478-5	531478-4
2 4	531478-3	5 531478-2
FINISH	LOOSE PIECE	PART NUMBER

SECTION A-A
INSULATION RANGE
.095-.045 DIA

SECTION B-B
WIRE RANGE
#22-#18 AWG

THIS DRAWING IS A CONTROLLED DOCUMENT.

DIMENSIONS: mm [INCHES]	TOLERANCES UNLESS OTHERWISE SPECIFIED: 0 PLC ± - 1 PLC ± - 2 PLC ± - 3 PLC ± .005 4 PLC ± - ANGLES ± - FINISH SEE TABLE	DWN A. STAUB BG 8-2-93 CHK H ROSE 2/8/94 APVD - PRODUCT SPEC - APPLICATION SPEC - WEIGHT - CUSTOMER DRAWING	NAME TE Connectivity CONTACT, NON-BIFURCATED CRIMP TWIN LEAF	SIZE A2 CAGE CODE 00779 DRAWING NO C=531478 SCALE 10:1	RESTRICTED TO - SHEET 1 OF 1 REV N
----------------------------	--	---	--	---	--