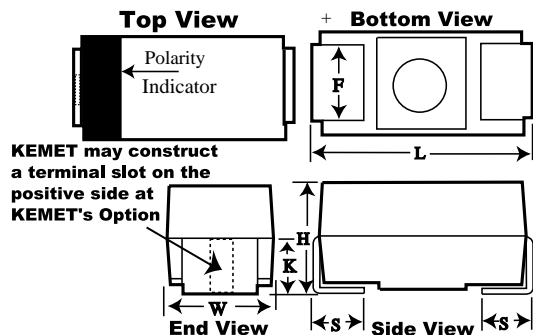


B45196E, Tantalum, MnO2 Tantalum, 0.47 uF, 20%, 25 V, SMD, Molded, 13 Ohms, 3216, Height Max = 1.8mm



General Information	
Supplier:	KEMET
Series:	B45196E
Dielectric:	MnO2 Tantalum
Style:	SMD Chip
Description:	SMD, Molded
Features:	Automotive
RoHS:	Yes
Termination:	Tin
Notes:	Obsolete

Dimensions	
Footprint	3216
L	3.2mm +/-0.2mm
W	1.6mm +/-0.2mm
H	1.6mm +/-0.2mm
S	0.8mm +/-0.3mm
F	1.2mm +/-0.1mm
K	1.3mm TYP

Packaging Specifications	
Packaging:	T&R, 178mm
Packaging Quantity:	2000

Specifications	
Capacitance:	0.47 uF
Capacitance Tolerance:	20%
Voltage DC:	25 VDC (85C), 16.75 VDC (125C)
Temperature Range:	-55/+125C
Rated Temperature:	85C
Dissipation Factor:	4%
Failure Rate:	N/A
Resistance:	13 Ohms (100kHz)
Current:	76 mAmps (25C), 68.4 mAmps (85C), 30.4 mAmps (125C)
Leakage Current:	0.5 uA