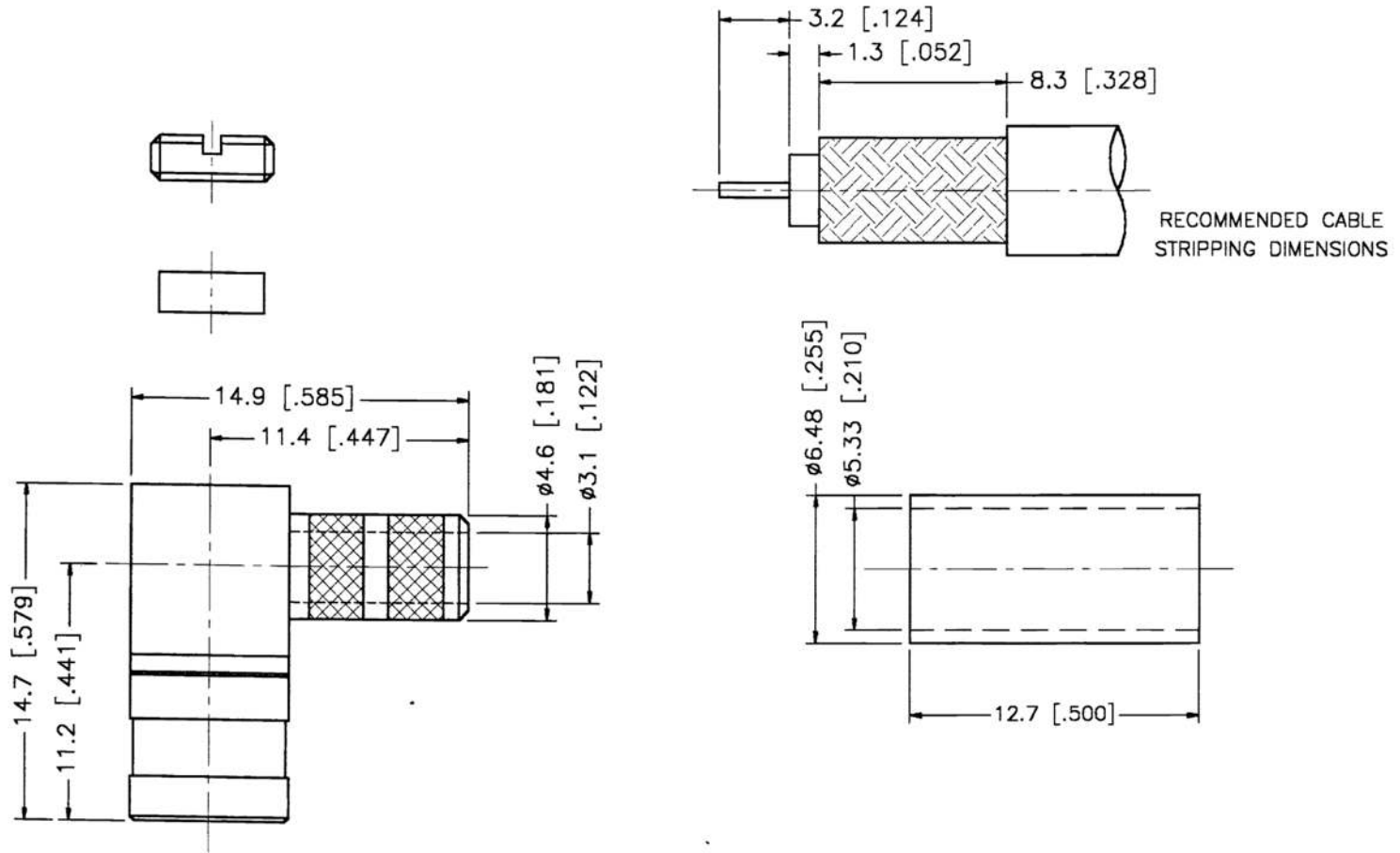



REV.	DATE	DESCRIPTION
NC	01/29/98	INITIAL RELEASE



DESCRIPTION	MATERIAL	FINISH	UNLESS OTHERWISE SPECIFIED DIMENSIONS ARE IN MILLIMETERS	APPROVALS	DATE						
1 BODY	BRASS	NICKEL	DIMENSIONS IN [] ARE IN INCHES FOR CUSTOMER REFERENCE ONLY	DRAWN	G.R.S.	01/29/98	TITLE SMB R/A CRIMP PLUG RG 58/U CABLE				
2 INSULATOR	TEFLON	NATURAL		CHECKED							
3 CONTACT PIN	BER. COPPER	GOLD	UNLESS OTHERWISE SPECIFIED TOLERANCES FOR MILLIMETERS ARE: 0.5-6 = ± 0.2 6-30 = ± 0.4 30-120 = ± 0.6 120-315 = ± 1 315-1000 = ± 1.6 1000-2000 = ± 2.4	ISSUED			SIZE A		FSCM NO. 99001	DWG. NO. 142205.DWG	REV. NC
4 INSULATOR	P.E.	NATURAL					SCALE NA		PART NO. 142205	SHEET 1 OF 1	
5 FERRULE	COPPER	NICKEL									
6 NUT	BRASS	NICKEL									
7											
8			DO NOT SCALE DRAWING								